

DESCRIPTION

The MP5023 is a hot-swap protection device designed to protect circuitry on its output from transients on its input. The MP5023 also protects its input from undesired shorts and transients coming from its output.

During start-up, inrush current is limited by the slew rate at the output. The slew rate is controlled by the external capacitor at SS.

The maximum load at the output is current-limited through on-die current sense technology. The magnitude of the current limit is controlled by a low-power resistor from ISET to ground.

An internal charge pump drives the gate of the power device, allowing for a power MOSFET with a very low on resistance of 1.1mΩ.

The MP5023 includes an IMON option that produces a voltage proportional to the current through the power device set by a resistor from IMON to ground.

The PMBus™ interface allows the MP5023 to read current, voltage, temperature data, and input power from the internal ADC.

The MP5023 includes an optional discharge function through the PMBus™ that provides a discharge path for the external output capacitor when the part is disabled.

Fault protection includes current limiting, thermal shutdown, and damaged MOSFET detection. Both current limit and thermal shutdown have auto-retry and latch-off modes via the PMBus™ interface that can be set by the user. The MP5023 also features over-voltage protection (OVP) and under-voltage protection (UVP).

The MP5023 is available in a small FCQFN-24 package (4mmx5mm).

ELECTRICAL SPECIFICATION

Parameter	Value	Units
Input Voltage	12	V
Output Voltage	12	V
Current limit	50	A

FEATURES

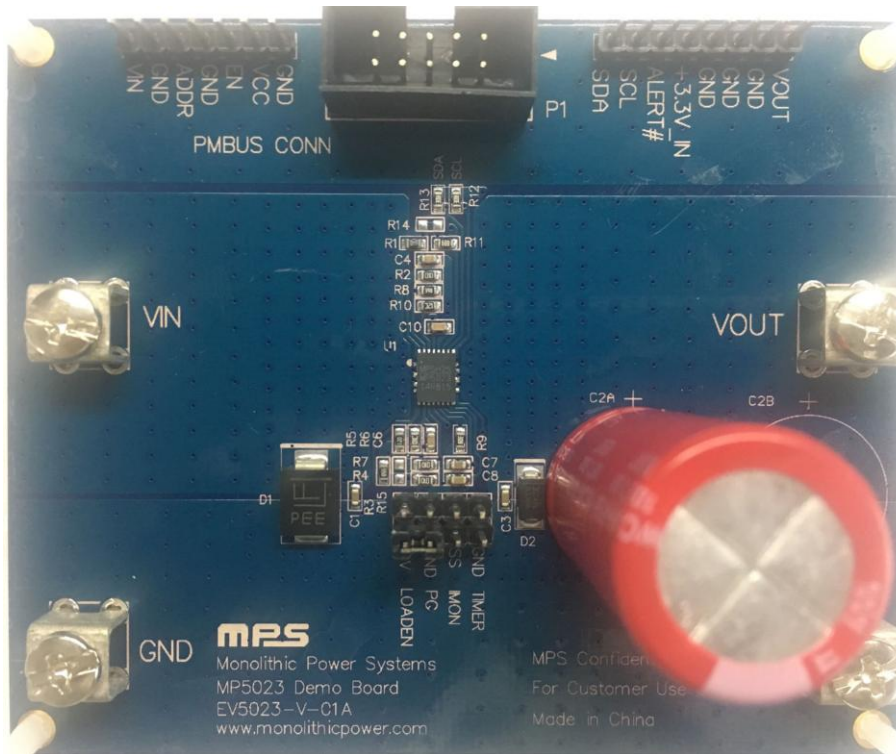
- Input Voltage Range: 4V to 16V
- Integrated 1.1mΩ Power MOSFET
- Maximum 50A Output Current
- Adjustable Current Limit
- Output Current Measurement
- Fast Response (<200ns) for Short Protection
- PG Detector and Indication
- PG Asserts Low at VIN = 0
- Damaged MOSFET Detection
- External Soft Start (SS)
- PMBus™ 1.3 Compliant
- Configurable Over-Voltage Lockout with Hysteresis
- Real-Time Monitoring of VIN, VOUT, IOUT, and Temperature by PMBus™
- Auto-Retry or Latch-Off Mode in Over-Current Protection (OCP) through the PMBus™
- Programmable Start-Up Current Limit
- Thermal Protection
- Available in a FCQFN-24 (4mmx5mm) Package

APPLICATIONS

- Hot Swaps
- PC Cards
- Disk Drives
- Servers
- Networking
- Laptops

All MPS parts are lead-free, halogen-free, and adhere to the RoHS directive. For MPS green status, please visit the MPS website under Quality Assurance page. "MPS" and "The Future of Analog IC Technology" are registered trademarks of Monolithic Power Systems, Inc.

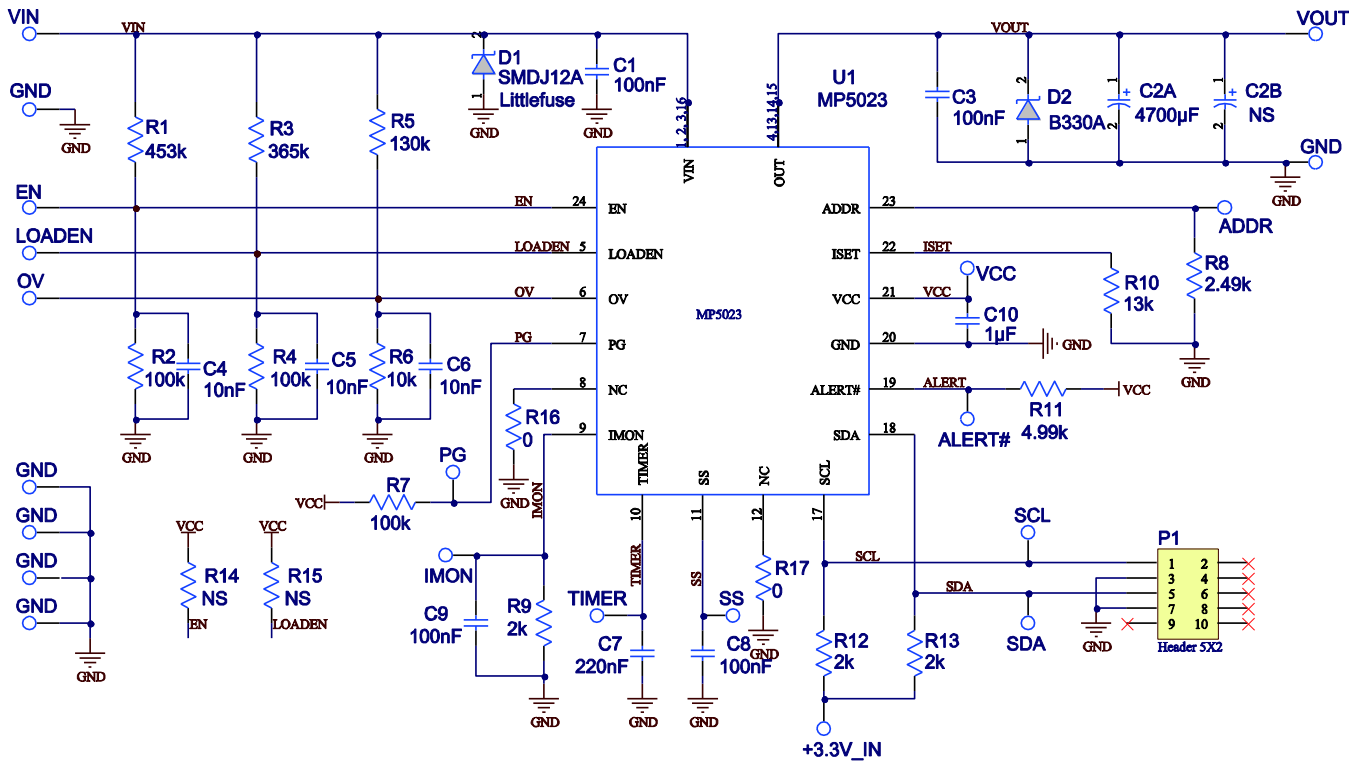
EV5023-V-01A EVALUATION BOARD



(L x W x H) 9.37cm x 7.57cm x 1.7mm

Board Number	MPS IC Number
EV5023-V-01A	MP5023GV

EVALUATION BOARD SCHEMATIC



EV5023-V-01A BILL OF MATERIALS

Qty	Designator	Value©	Description	Package	Manufacturer	Part Number©
4	C1, C3, C8, C9	100nF	Ceramic Capacitor;50V;X7R;	0603	Murata	GRM188R71H104KA93D
1	C2A	4700µF	Electrolytic Cap, 35V	DIP	Wurth	860020581026(4700uF/35V)
1	C2B	NS				
3	C4, C5, C6	10nF	Ceramic Capacitor;50V;X7R;	0603	Murata	GRM188R71H103KA01D
1	C7	220nF	Ceramic Capacitor;6.3;X7R;	0603	Murata	GRM188R70J224KA88D
1	C10	1µF	Ceramic Capacitor;10V;X7R	0603	muRata	GRM188R71A105KA61D
1	D1	SMDJ12A	SCHOTTKY/SMA	DO-214AB	Littlefuse	'SMDJ12A
1	D2	B330A	Schottky Diode	SMA	Diodes	B330A
1	R1	453k	Film Res., 1%	0603	Yageo	RC0603FR-07453KL
1	R3	365k	Film Res., 1%	0603	Yageo	RC0603FR-07365KL
3	R2, R4, R7	100k	Film Res., 1%	0603	Yageo	RC0603FR-07100KL
1	R5	130k	Film Res., 1%	0603	Yageo	RC0603FR-07130KL
1	R8	2.49k	Film Res., 1%	0603	Yageo	RC0603FR-072K49L
1	R6	10k	Film Res., 1%	0603	Yageo	RC0603FR-0710KL
3	R9, R12, R13	2k	Film Res., 1%	0603	Yageo	RC0603FR-072KL
1	R10	13k	Film Res., 1%	0603	Yageo	RC0603FR-0713K5L
1	R11	4.99k	Film Res., 1%	0603	Yageo	RC0603FR-074K99L
2	R14,R15	NS				
2	R16,R17	0	Film Res., 5%	0603	Yageo	RC0603JR-070RL
23	ADDR, ALERT#, EN, IMON, LOADEN, OV, PG, SCL, SDA, SS, TIMER, VCC, VIN, VOUT, GND(*8pcs), +3.3V_IN	TP	Test point			1*40 180 度 2.54mm 排针
4	VIN, VOUT, GND, GND	KEYSTONE7701	Connector	KEYSTONE E7701	Keystone	KEYSTONE7701
1	P1	2*5connector	Header, 5-Pin, Dual row			2*5 2.54mm 带边框插座
1	U1	MP5023GV-R5	HOT-SWAP WITH PMBUS	FCQFN24	MPS	MP5023GV-R5

PRINTED CIRCUIT BOARD LAYOUT

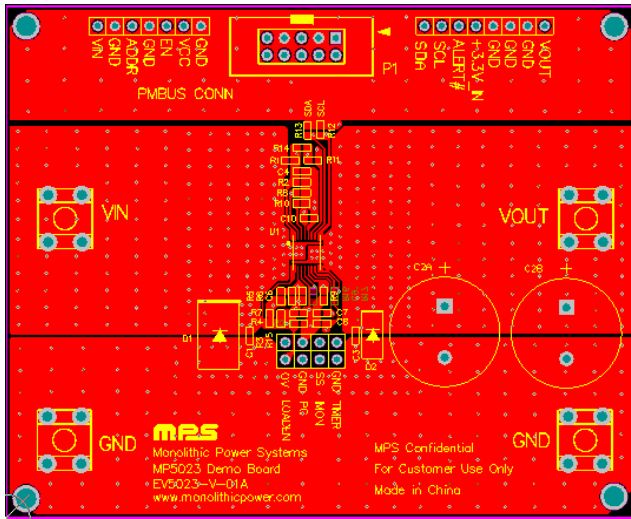


Figure 1—Top Layer

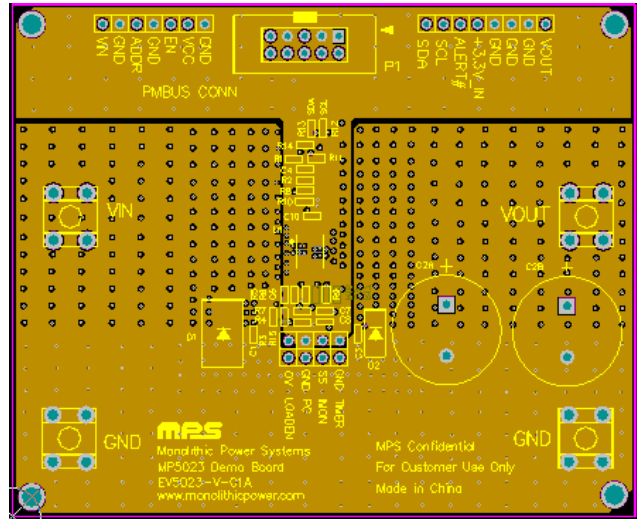


Figure 2—Inner Layer1

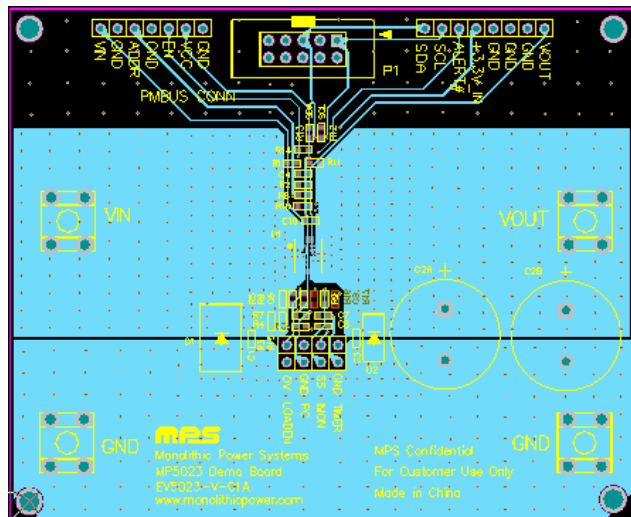


Figure 3—Inner Layer2

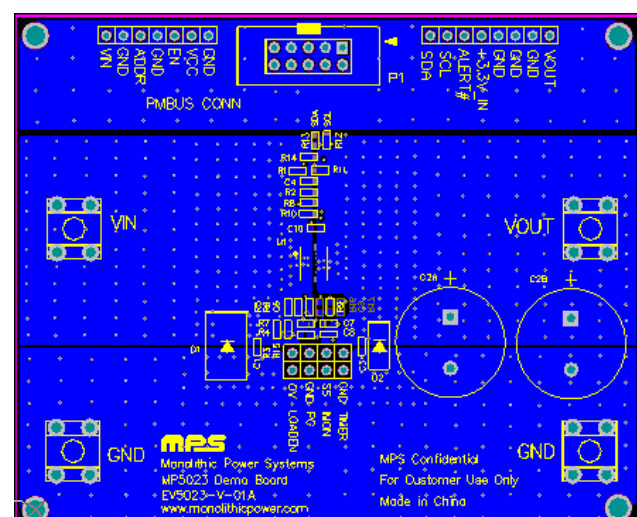


Figure 4—Bottom Layer

QUICK START GUIDE

1. Attach the positive and negative terminals of the load to the VOUT and GND terminals on demo board, respectively.
2. Preset the power supply output to be 12V, and then turn off the power supply.
3. Attach the positive and negative terminals of the power supply to the VIN and GND terminals on demo board, respectively.
4. Turn on the VIN power supply.

NOTICE: The information in this document is subject to change without notice. Please contact MPS for current specifications. Users should warrant and guarantee that third party Intellectual Property rights are not infringed upon when integrating MPS products into any application. MPS will not assume any legal responsibility for any said applications.