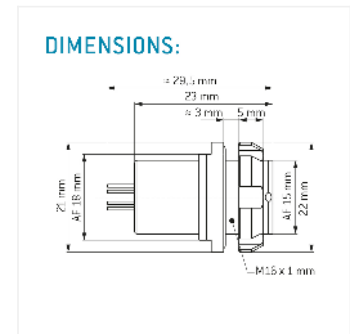
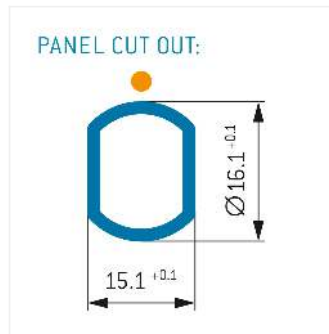
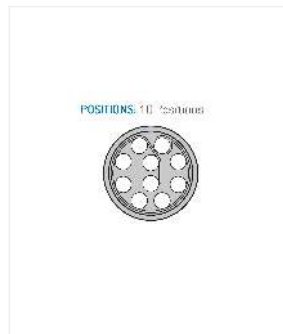
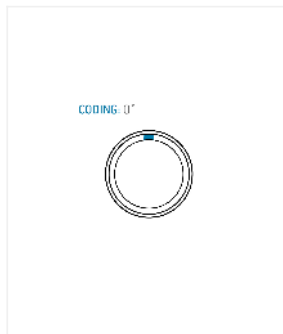


## General information

Part number	G82B0C-P10LJH0-0000
Termination	solder
Size	2
Locking principle	break , push
Coding	0_key



## Contact insert description

Number of contacts	10
Contact type	sockets
Contact diameter	09mm
Insulator material	peek
Wire cross section	20_awg
Termination	solder
Termination diameter	11mm

reverse\_gender\_on\_request

## Technical information

Max. creepage and air clearance distance	07_mm	09_mm
Nominal current single contact	10_a	iec_60512_5_2
Nominal current insert	5,5 A	vde_0298_4
Test voltage	09_kv_ac	sae_13441

safety\_text

## Mechanical and environmental data

Degree of protection*	ip68
Operating temperature	40_120_c
Mating cycles	5000

mated\_unmated

## Material and surface treatments

Housing	m_chrome
Contact	cu_alloy_gold

safety\_text\_2  
ul\_text  
illustrative\_text