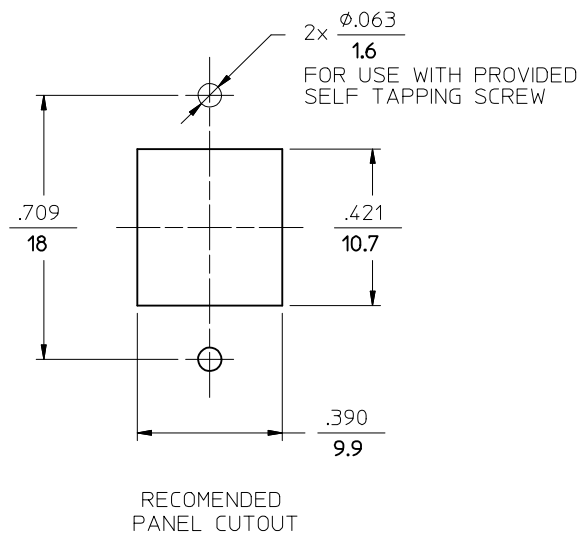
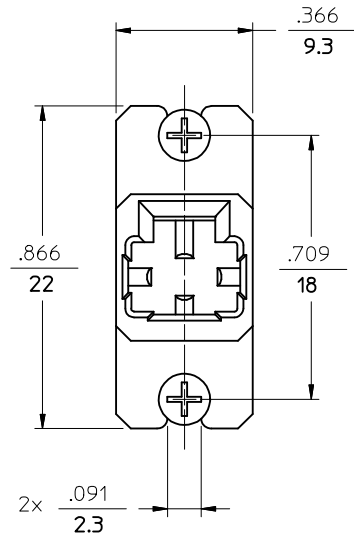
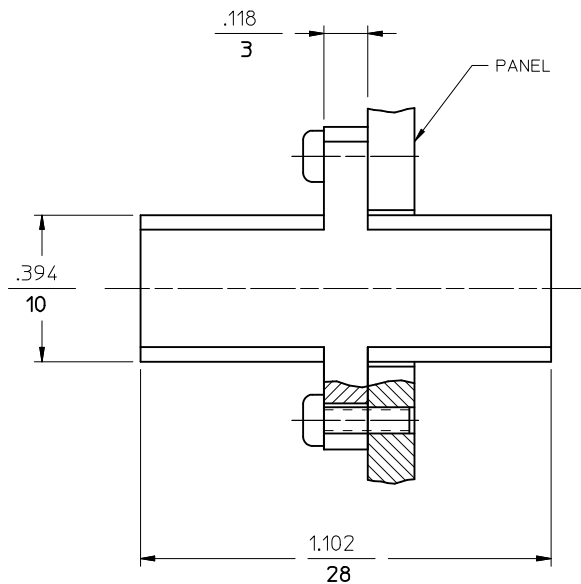


10 9 8 7 6 5 4 3 2 1



ENTER DESCRIPTION EC NO: MF2009-0224 DR: MANKPEVZNER 2008/11/11 CHKD: 2008/11/11 APPR: IGUMIN 2008/11/13	DESCRIPTION REV	QUALITY SYMBOLS ▽=0 ▽=0	GENERAL TOLERANCES (UNLESS SPECIFIED)		DIMENSION STYLE IN/MM		SCALE 3:1	DESIGN UNITS INCH	THIRD ANGLE PROJECTION		
		4 PLACES ± --- ± --- 3 PLACES ± --- ± --- 2 PLACES ± --- ± --- 1 PLACE ± --- ± ---	mm INCH	DRAWN BY RPACIFICI	DATE 2005/10/25	TITLE MT-RJ ADAPTER					
		ANGULAR ±1/2°		CHECKED BY	DATE	APPROVED BY					
		DRAFT WHERE APPLICABLE MUST REMAIN WITHIN DIMENSIONS		MATERIAL NO. 1061020000	DOCUMENT NO. SD-106102-0000	Molex MOLEX INCORPORATED					
		A1		SIZE B		THIS DRAWING CONTAINS INFORMATION THAT IS PROPRIETARY TO MOLEX INCORPORATED AND SHOULD NOT BE USED WITHOUT WRITTEN PERMISSION					

9 8 7 6 5 4 3 2 1