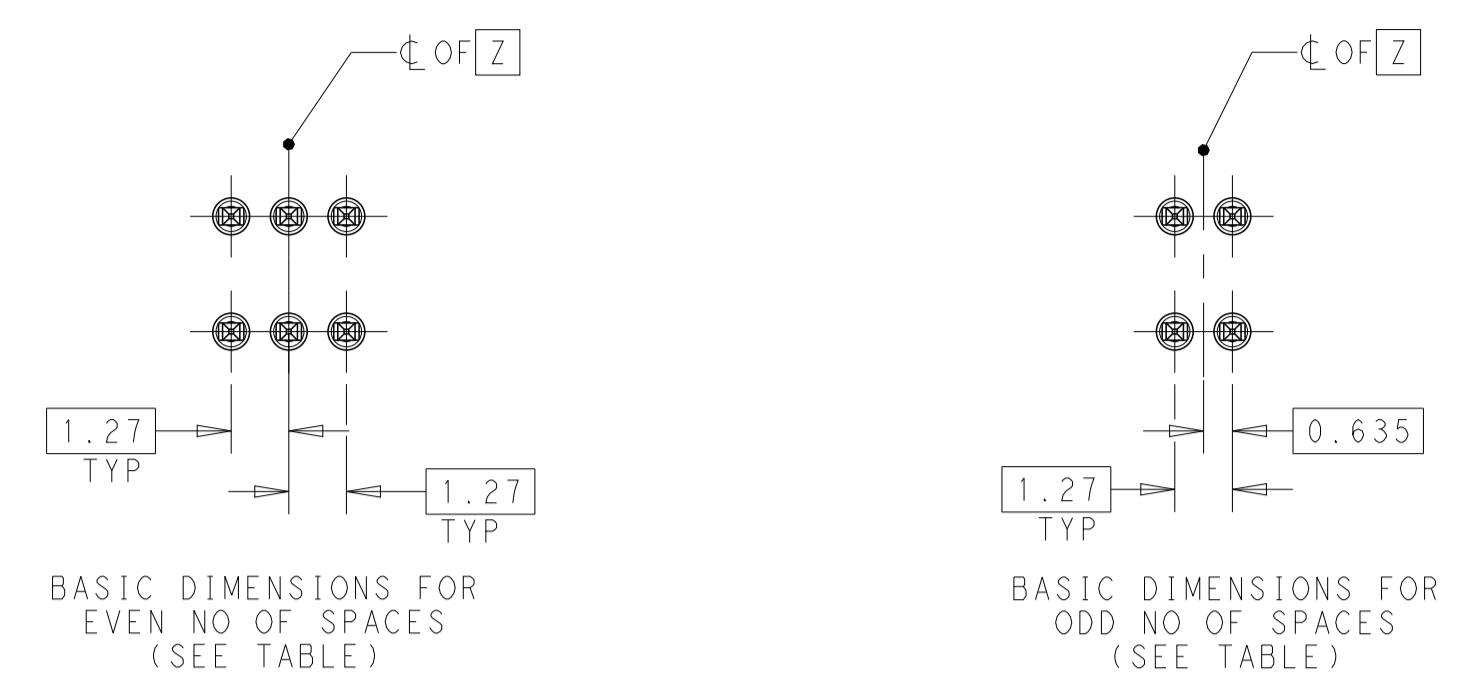
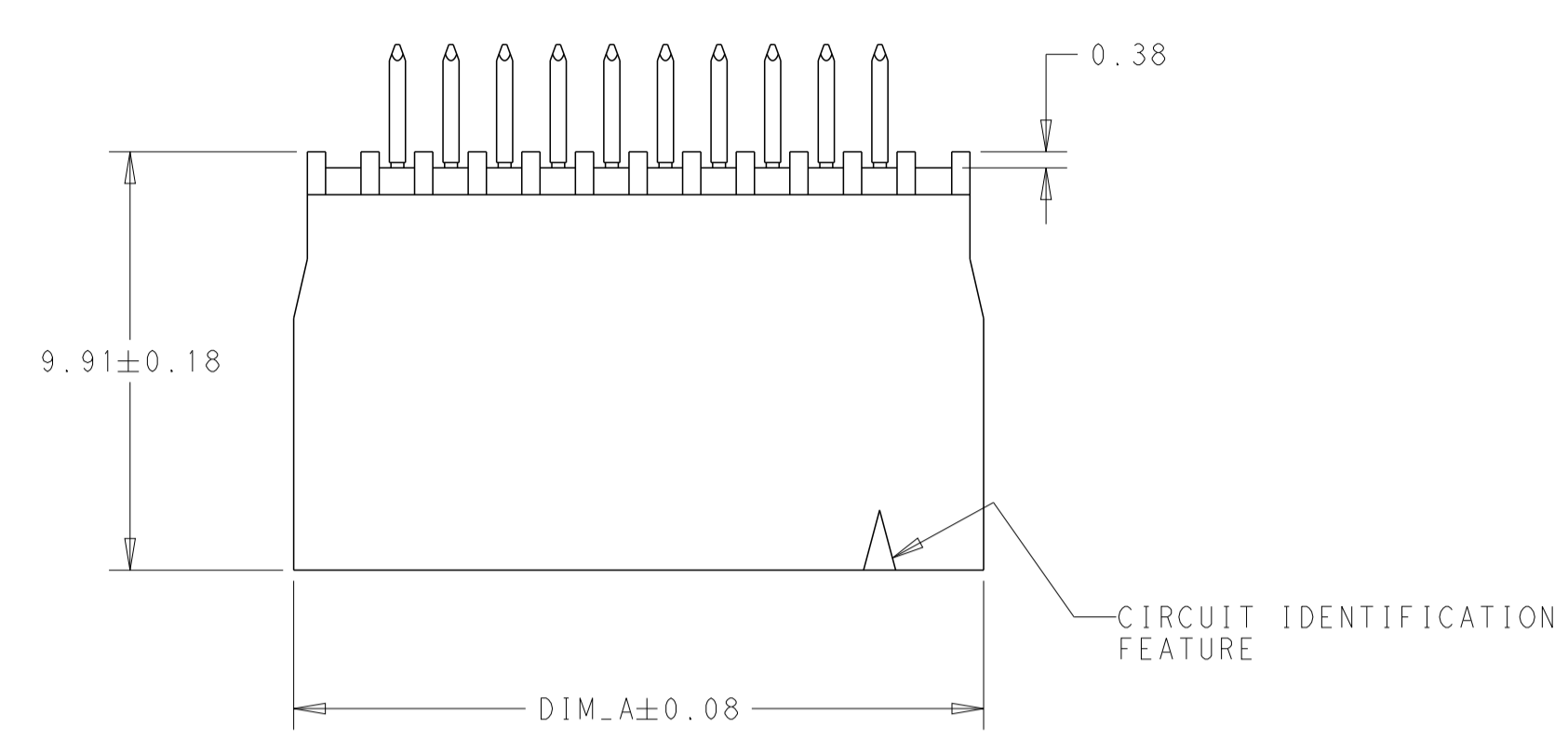
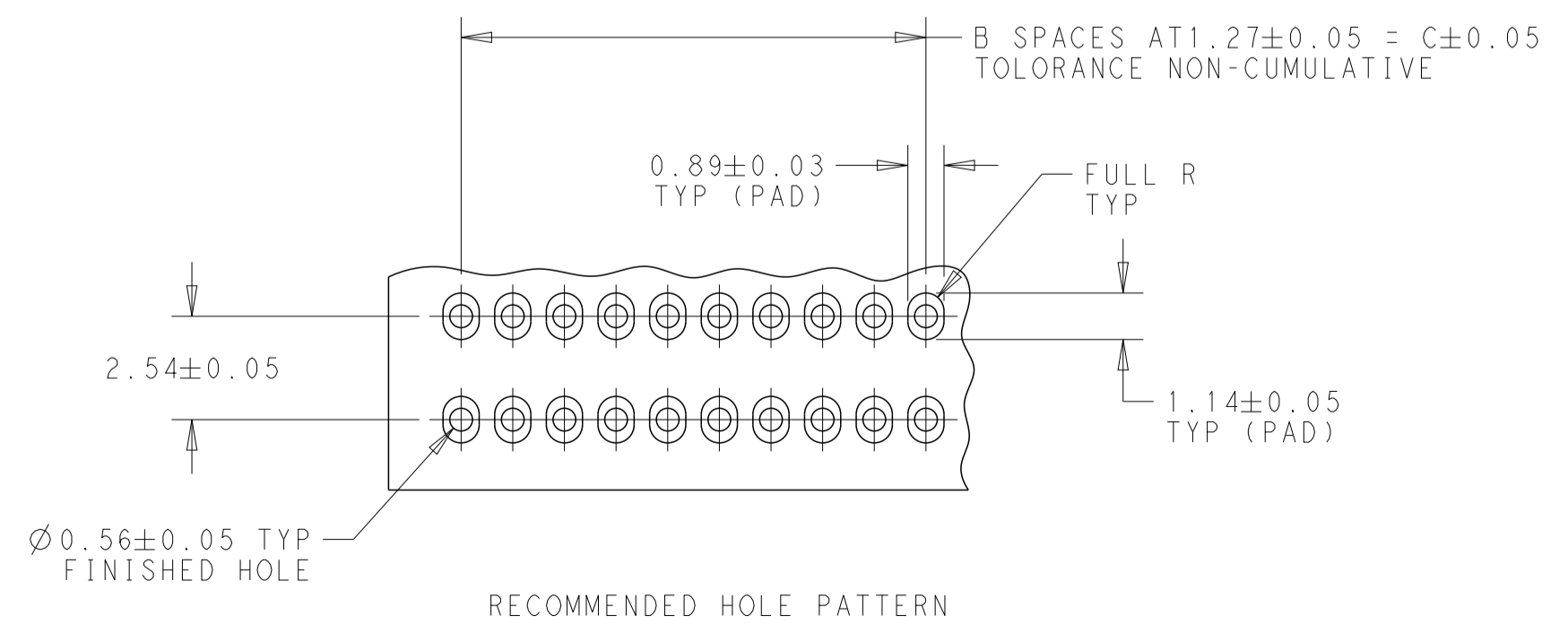
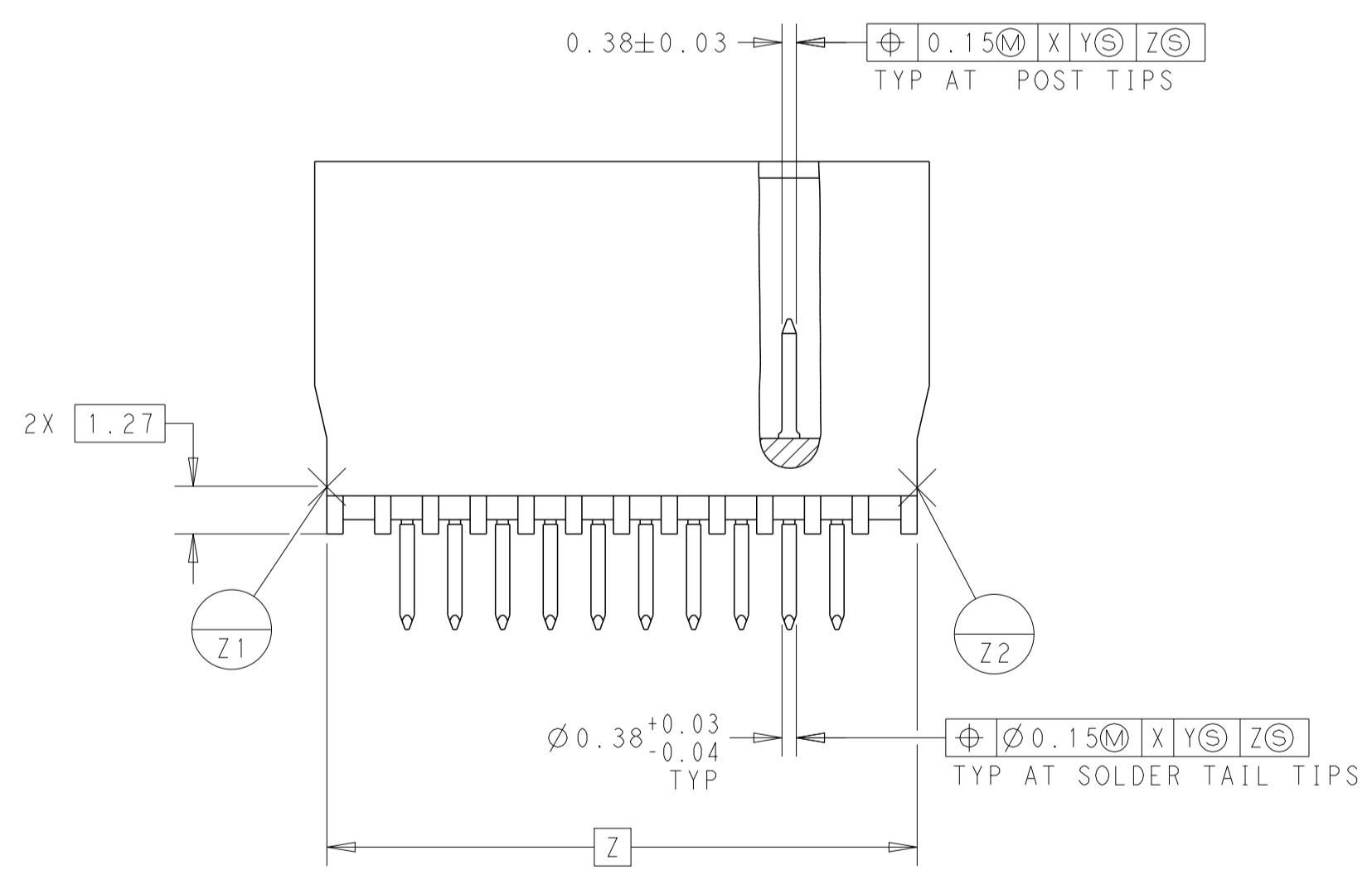
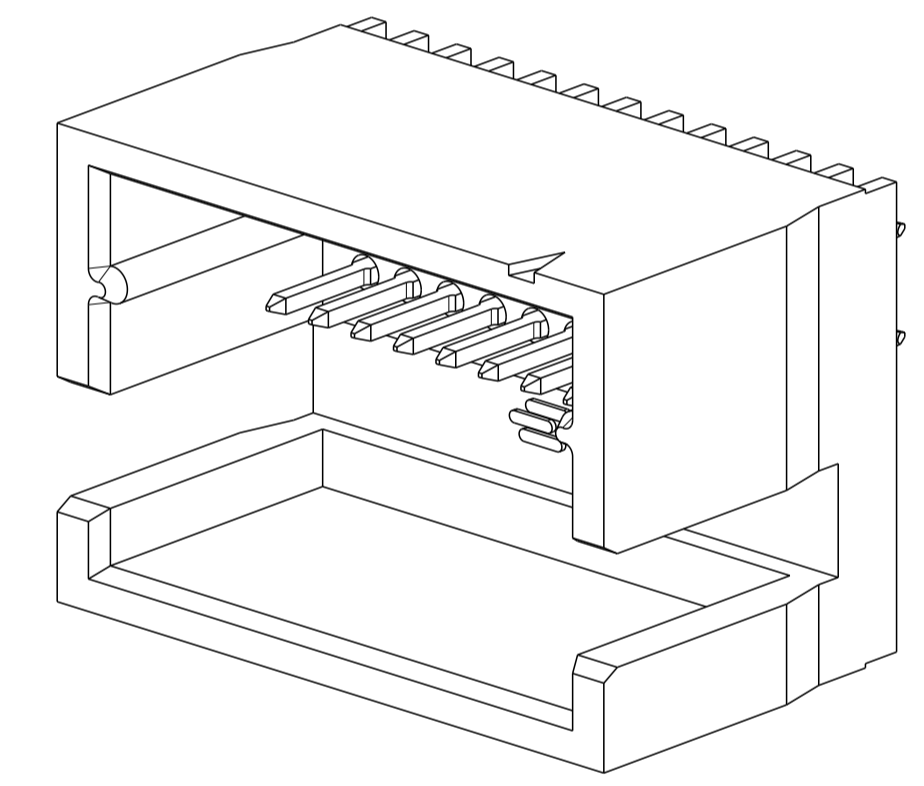
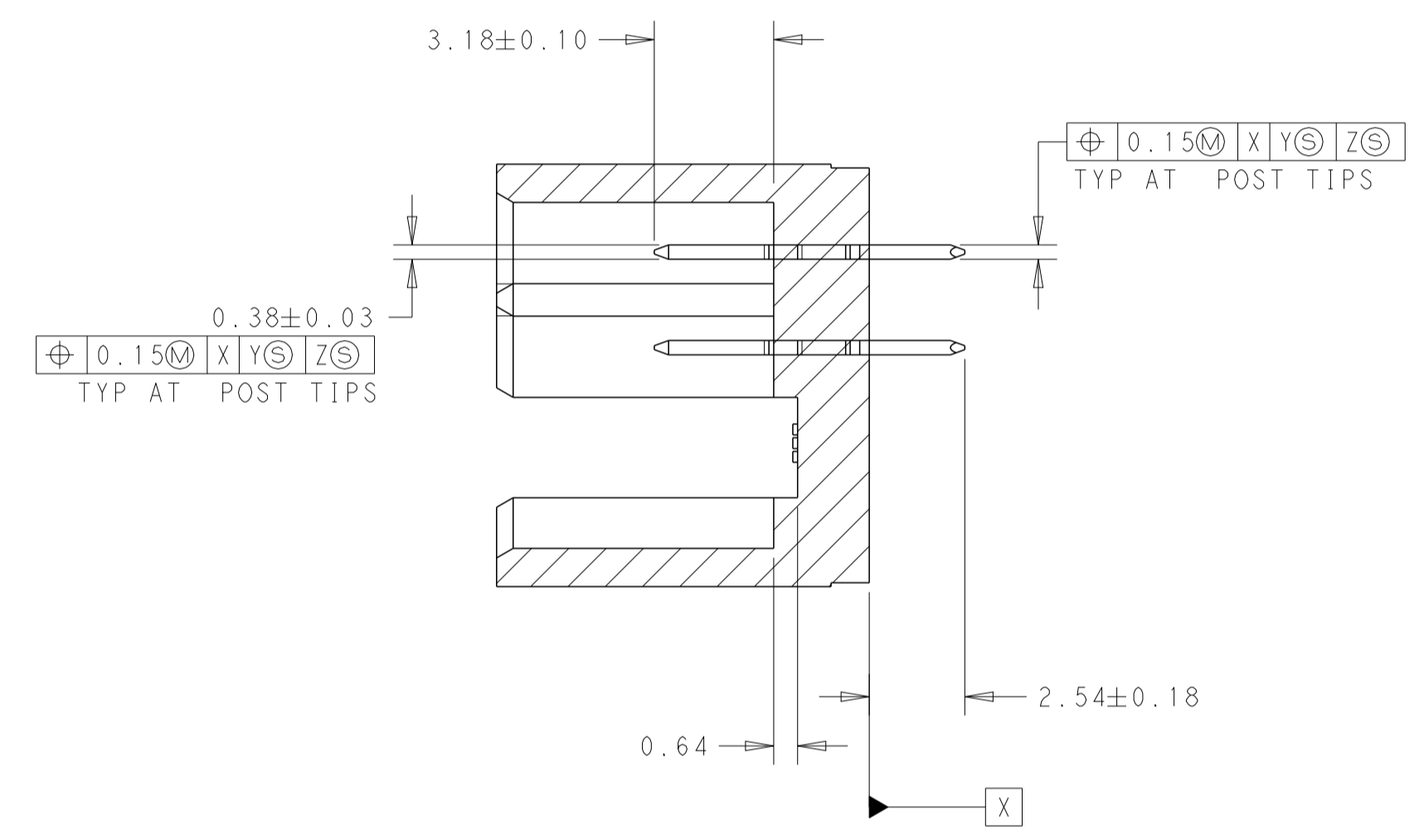
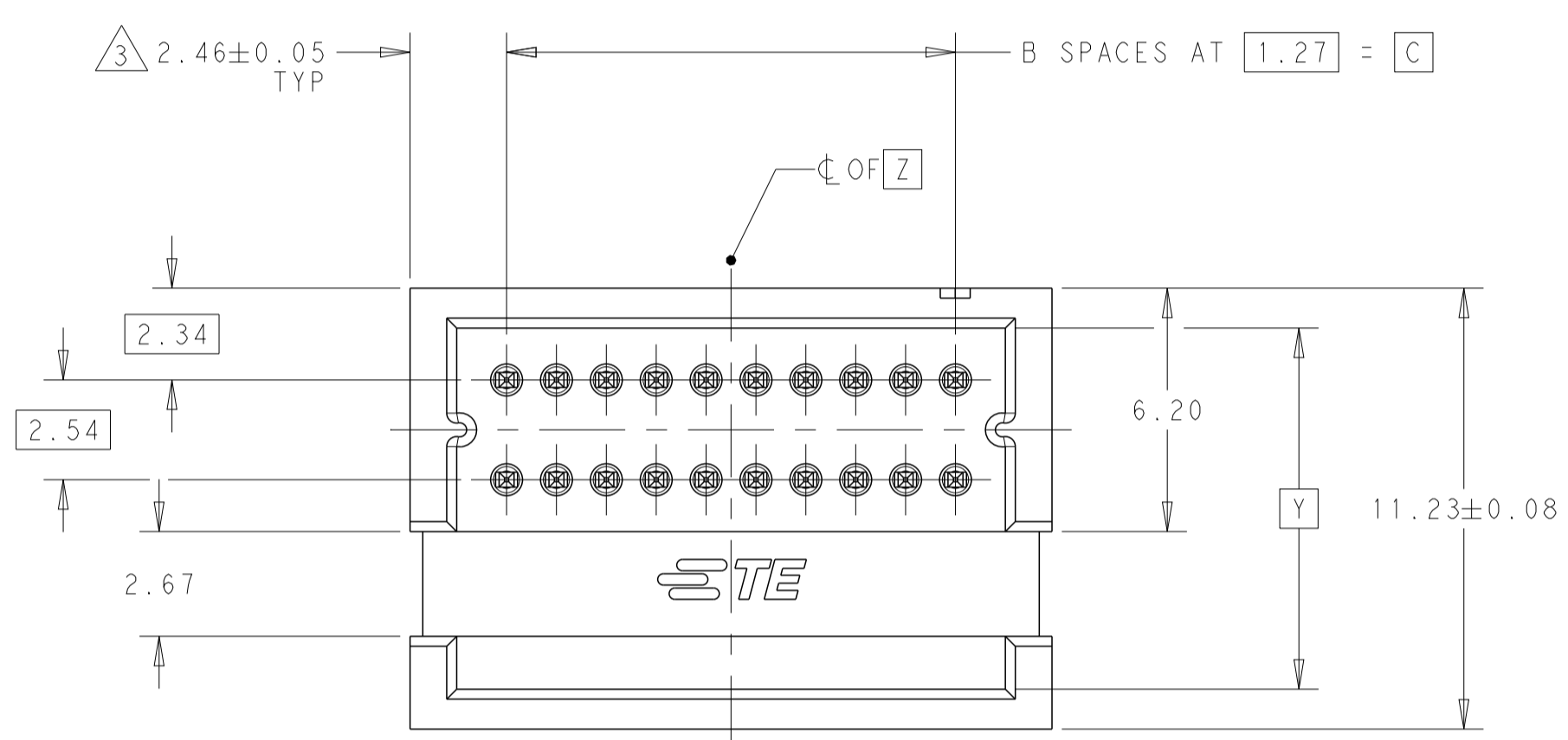


REVISIONS				
P	LTN	DESCRIPTION	DATE	APPV
V		REDRAWN/REVISED PER ECO-17-001755	20NOV2017	KS JO



- 1 CONTACT AREAS PLATED WITH 0.76µm GOLD; SOLDER TAILS PLATED WITH 3.81µm TIN-LEAD, ALL OVER 1.27µm NICKEL
- 2. NOTE DELETED.
- 3 THE NOTED DIMENSIONS APPLY AT THE INTERSECTION OF THE POST AND HOUSING.
- 4 CONTACT AREAS PLATED WITH 0.76µm GOLD; SOLDER TAILS PLATED WITH 3.81µm TIN, ALL OVER 1.27µm NICKEL.
- 5 FINISH: 0.03µm MIN GOLD ON GOLD PLATED AREA, 3.81µm MATTE TIN LEAD ON TIN PLATE AREA. UNDER PLATING SHOULD BE 1.27µm NICKEL ON ENTIRE CONTACT.
- 6 FINISH: 0.03µm MIN GOLD ON GOLD PLATED AREA, 3.81µm MATTE TIN ON TIN PLATE AREA. UNDER PLATING SHOULD BE 1.27µm NICKEL ON ENTIRE CONTACT.
- 7. NOTE DELETED.
- 8. NOTE DELETED.
- 9. NOTE DELETED.
- 10 MATERIAL- HOUSING: LCP, COLOR: BLACK POST: COPPER ALLOY



6	62.23	49	67.16	100	7-104076-8
	30.48	24	35.41	50	7-104076-7
	17.78	14	22.71	30	7-104076-6
	5.08	4	10.01	10	7-104076-5
	49.53	39	54.46	80	7-104076-4
	24.13	19	29.06	40	7-104076-3
	36.83	29	41.76	60	7-104076-2
4	11.43	9	16.36	20	7-104076-1
	62.23	49	67.16	100	5-104076-8
	30.48	24	35.41	50	5-104076-7
	17.78	14	22.71	30	5-104076-6
	5.08	4	10.01	10	5-104076-5
	49.53	39	54.46	80	5-104076-4
	24.13	19	29.06	40	5-104076-3
FINISH	36.83	29	41.76	60	5-104076-2
	11.43	9	16.36	20	5-104076-1

5	62.23	49	67.16	100	2-104076-8
	30.48	24	35.41	50	2-104076-7
	17.78	14	22.71	30	2-104076-6
	5.08	4	10.01	10	2-104076-5
	49.53	39	54.46	80	2-104076-4
	24.13	19	29.06	40	2-104076-3
	36.83	29	41.76	60	2-104076-2
1	11.43	9	16.36	20	2-104076-1
	62.23	49	67.16	100	104076-8
	30.48	24	35.41	50	104076-7
	17.78	14	22.71	30	104076-6
	5.08	4	10.01	10	104076-5
	49.53	39	54.46	80	104076-4
	24.13	19	29.06	40	104076-3
FINISH	36.83	29	41.76	60	104076-2
	11.43	9	16.36	20	104076-1

THIS DRAWING IS A CONTROLLED DOCUMENT. DWG: R. SHRISHAIL, 20NOV2017
 CHK: J. OLSON, 20NOV2017
 APVD: J. OLSON, 20NOV2017

TE Connectivity

NAME: HEADER ASSEMBLY, VERTICAL, SHROUDED, WITH SLOT, AMPMODU System 50

PRODUCT SPEC: 108-1093
 APPLICATION SPEC: 114-25031

SIZE: 114-25031
 WEIGHT: -
 CUSTOMER DRAWING

SCALE: 6:1
 SHEET: 1 OF 1
 REV: V