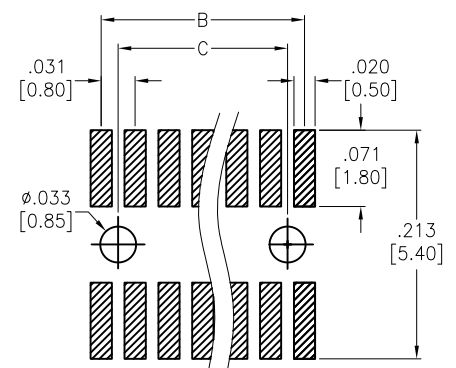
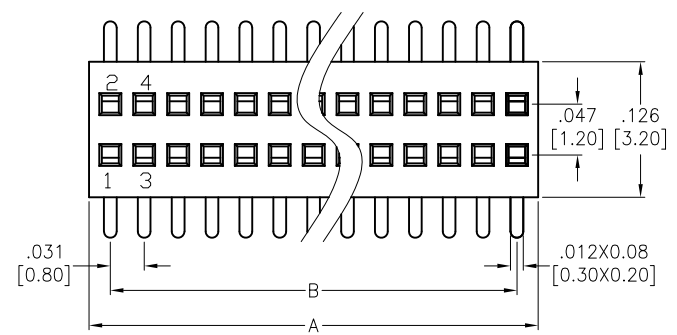
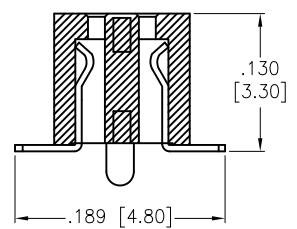
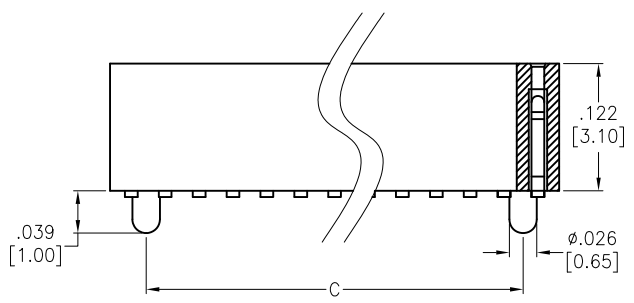


APPROVED: _____
 DATE: _____ TITLE: _____

Rev	AWO #	Description	Date	Appr
-		RELEASED	4/29/16	
A		UPDATE DIM.	7/17/18	AY/RT



RECOMMENDED PCB LAYOUT



SPECIFICATIONS:
 Material:
 Insulator: Hi-Temp Thermoplastic, rated UL 94V-0
 Insulator color: Black
 Contacts: Phosphor Bronze
 Plating:
 Gold flash over Nickel underplate overall
 Electrical:
 Current rating: 0.75 Amp
 Contact resistance: 20 mohms max
 Insulation resistance: 1,000 Mohms min.
 Dielectric withstanding voltage: 500 VAC
 Temperature Rating:
 -40°C to +105°C
 Environmental:
 Lead free, RoHS compliant



Positions: 04 thru 100
 A= .031 [0.80] x No. of Positions per row + .008 [0.20]
 B= .031 [0.80] x No. of Spaces per row
 C= .031 [0.80] x No. of Positions per row - .063 [1.60]

UNLESS OTHERWISE SPECIFIED ALL DIMENSIONS ARE INCHES [MM] TOLERANCES: EXCEPT AS NOTED		
INCHES		HOLES
.X ± .10	Ø.X ± .10	
.XX ± .020	Ø.XX ± .015	
.XXX ± .015	Ø.XXX ± .010	
APPROVALS		DATE
DRAWN	HR	4/29/16
CHECKED	CH	4/29/16
APPROVED		

ADAM TECH INTERCONNECTS		909 Rahway Avenue, Union, NJ 07083 Phone: 908-687-5000 Fax: 908-687-5710	
TITLE .031 [0.80] X .047 [1.20] FEMALE HEADER, SMT, DUAL ROW, GOLD PLATED, .122 [3.10] HEIGHT			
SIZE X	PART NO. SRS2Y-XX-U-SMT	REV. A	
REF: S00111C	SCALE: NTS	SHEET 1 OF 1	

6

5

4

3

2

1

D

D

C

C

B

B

A

A

6

5

4

3

2

1