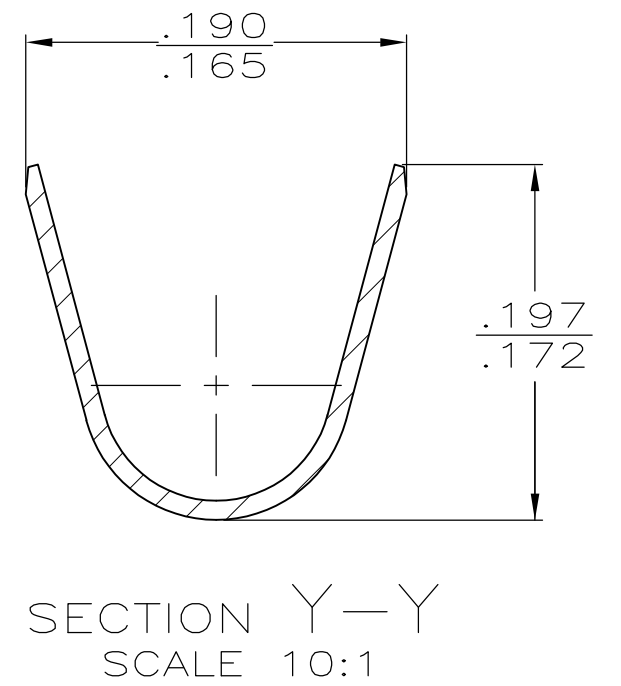
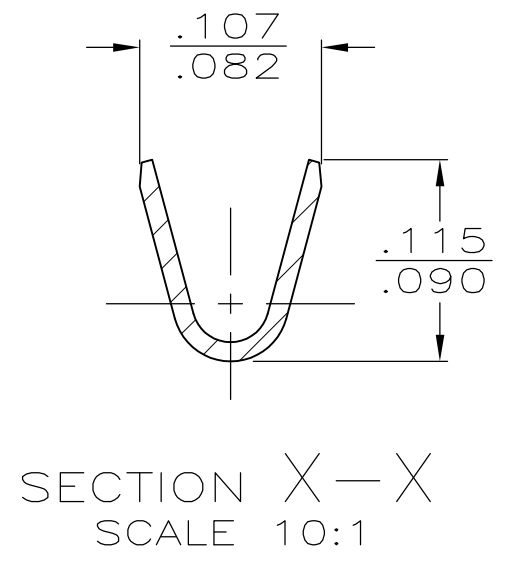
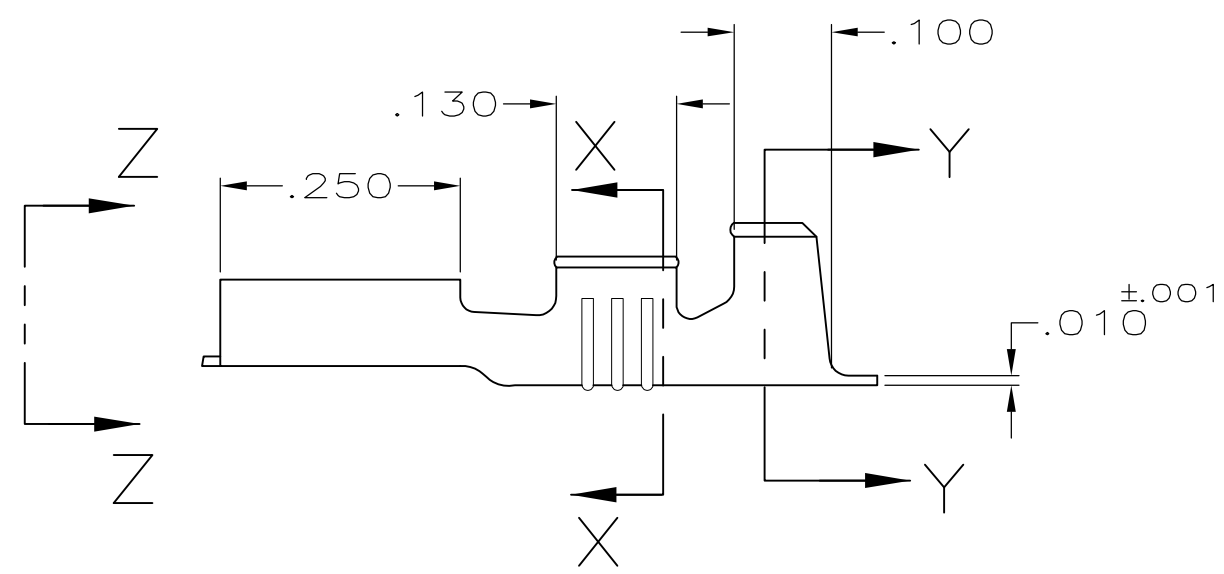
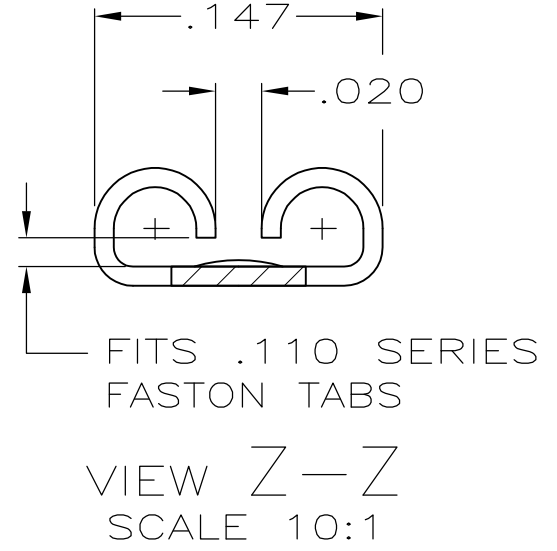
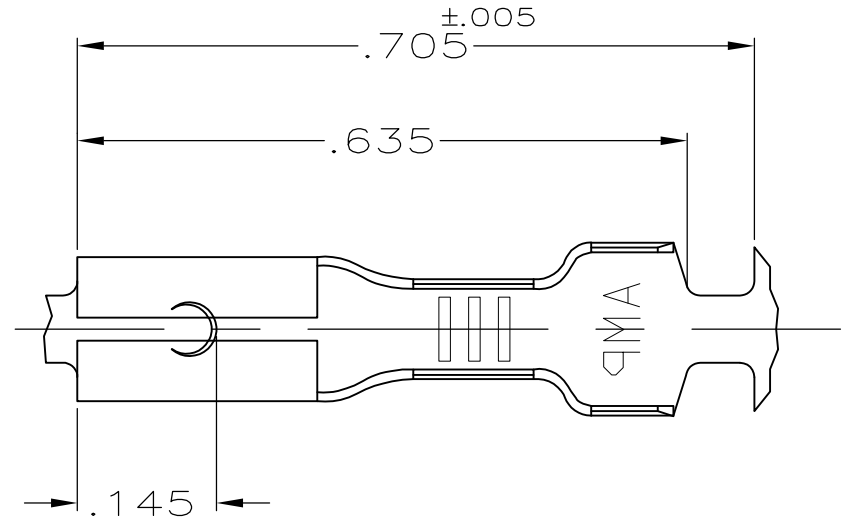


THIS DRAWING IS UNPUBLISHED. RELEASED FOR PUBLICATION
 © COPYRIGHT - By - ALL RIGHTS RESERVED.

LOC	DIST	REVISIONS					
AF	50	P	LTR	DESCRIPTION	DATE	DWN	APVD
			E	REVISED PER ECR-12-013445	09NOV12	KH	PD

1 CONTINUOUS STRIP ON REELS



.120-.140	22-18 AWG	.020	60729-1
INSUL RANGE	WIRE SIZE	MATING TAB THK ±.001	PART NO.

THIS DRAWING IS A CONTROLLED DOCUMENT.		DWN	JR RUTH	12/20/90	TE Connectivity							
DIMENSIONS: INCHES		CHK	MS FEHER	12/20/90				RECEPTACLE, FASTON, .110 SERIES				
		TOLERANCES UNLESS OTHERWISE SPECIFIED:		APVD							C MEYERS	12/21/90
		0 PLC ± - 1 PLC ± - 2 PLC ± - 3 PLC ± .015 4 PLC ± - ANGLES ± -		NAME								
MATERIAL	BRASS	FINISH	PRE-TIN	APPLICATION SPEC			RESTRICTED TO					
CUSTOMER DRAWING				WEIGHT	-	SIZE	A3	CAGE CODE	00779	DRAWING NO	C-60729	
				SCALE		5:1	SHEET		1 OF 1	REV	E	