

Contact insert - VC-D4-BU65-PE-R - 1884775

Please be informed that the data shown in this PDF Document is generated from our Online Catalog. Please find the complete data in the user's documentation. Our General Terms of Use for Downloads are valid (<http://phoenixcontact.com/download>)

Female contact carrier, for rolled crimp contacts, type VC 4, 65-pos. + PE




Product Features

- ✓ Positions 15, 30, 50, and 65 are available, in accordance with housing sizes VC 1 - VC 4.
- ✓ Contact types meet the requirements of IEC 60352/DIN EN 60352
- ✓ Contact carriers have two further capacitive PE contacts
- ✓ Pin and socket contacts can be used on both the plug and device sides
- ✓ The connection data of 250 V/10 A corresponds to that of the HEAVYCON DD series



Key commercial data

Packing unit	1 pc
Minimum order quantity	10 pc
GTIN	 4 017918 164881
Weight per Piece (excluding packing)	61.4 GRM
Custom tariff number	85369010
Country of origin	Poland

Technical data

Electrical characteristics

Note	Connectors may only be connected/disconnected when under no load.
Rated voltage	250 V
Rated voltage (III/3)	250 V
Rated current	10 A
	10 A
Rated surge voltage	4 kV

Contact insert - VC-D4-BU65-PE-R - 1884775

Technical data

Electrical characteristics

Number of positions	65
---------------------	----

Ambient conditions

Ambient temperature (operation)	-40 °C ... 125 °C
---------------------------------	-------------------

Mechanical characteristics

Conductor cross section	0.14 mm ² ... 1.5 mm ² (stranded)
Connection cross section AWG	22 ... 16
Stripping length of the individual wire	8 mm
Conductor cross section stranded max.	1.5 mm ²
Insertion/withdrawal cycles	>= 500

General

Type	VC4
Series	VC-D
Connection method	Crimp connection
Inflammability class according to UL 94	V0
Pollution degree	2
Surge voltage category	III

Material data

Contact carrier material	PA-GF
--------------------------	-------

Classifications

eCl@ss

eCl@ss 4.0	27140816
eCl@ss 4.1	27140816
eCl@ss 5.0	27143424
eCl@ss 5.1	27143424
eCl@ss 6.0	27143424
eCl@ss 7.0	27440209
eCl@ss 8.0	27440209

ETIM

ETIM 2.0	EC000438
ETIM 3.0	EC000438
ETIM 4.0	EC000438
ETIM 5.0	EC000438

Contact insert - VC-D4-BU65-PE-R - 1884775

Classifications

UNSPSC

UNSPSC 6.01	30211923
UNSPSC 7.0901	39121522
UNSPSC 11	39121522
UNSPSC 12.01	39121522
UNSPSC 13.2	39121522

Approvals

Approvals


Approvals


UL Recognized / cUL Recognized / GOST / GOST / cULus Recognized

Ex Approvals

Approvals submitted

Approval details

UL Recognized 	
Nominal current I _N	4 A
Nominal voltage U _N	250 V

cUL Recognized 	
Nominal current I _N	4 A
Nominal voltage U _N	250 V

Contact insert - VC-D4-BU65-PE-R - 1884775

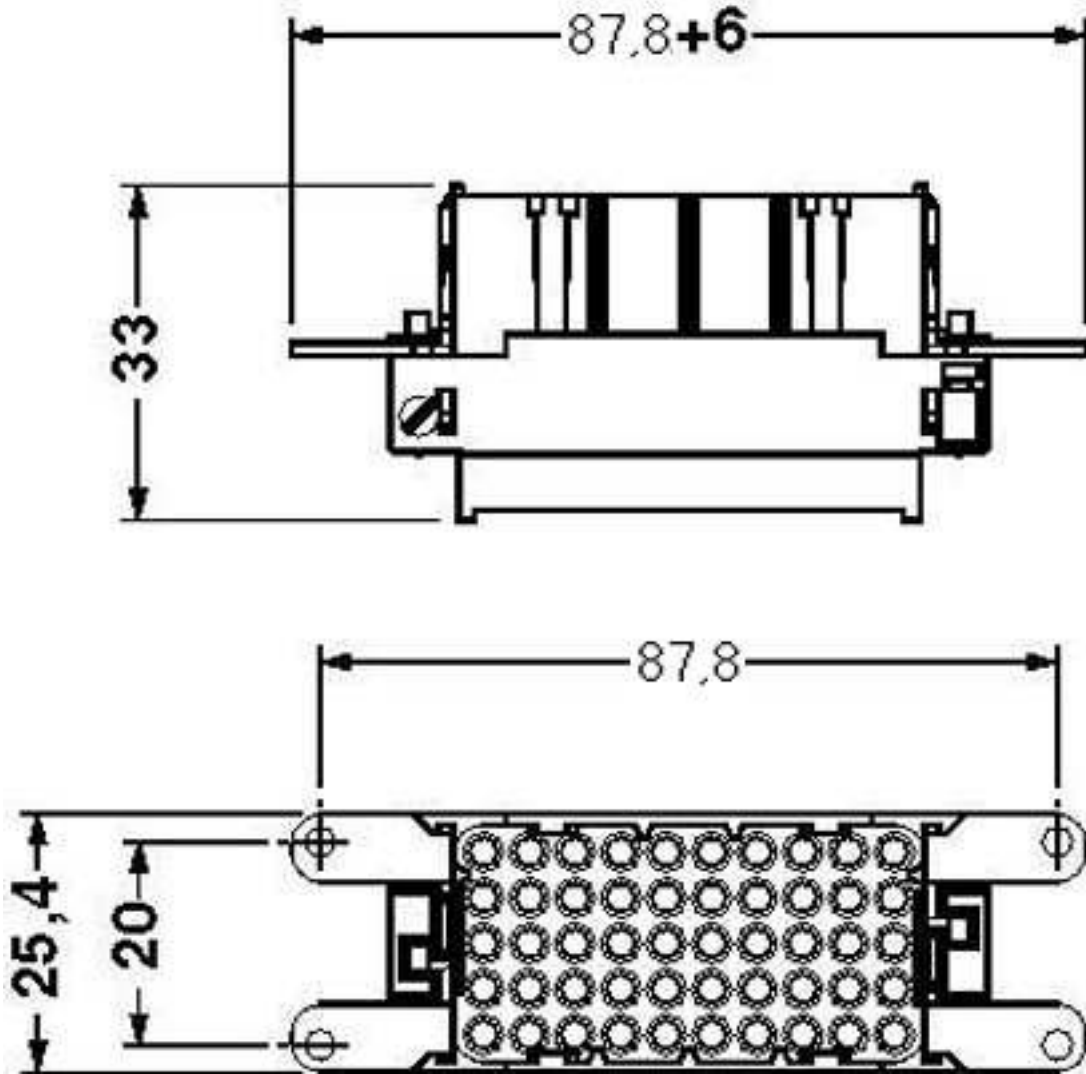
Approvals



Drawings

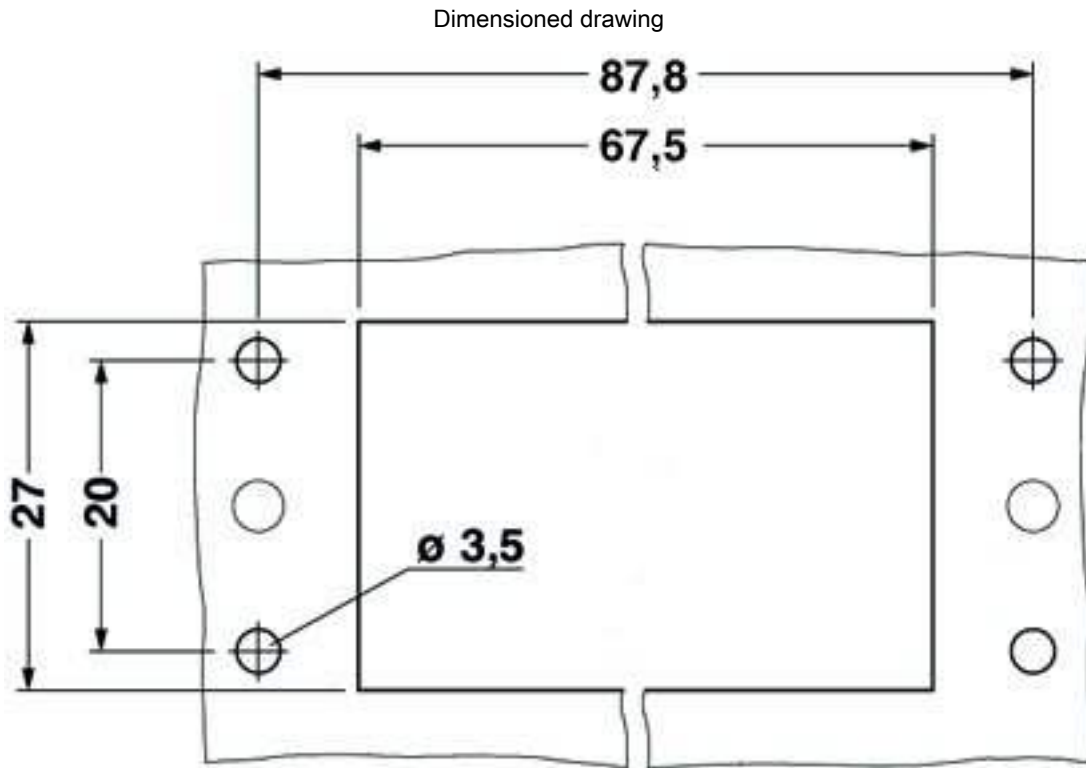
Contact insert - VC-D4-BU65-PE-R - 1884775

Dimensioned drawing



Contact insert

Contact insert - VC-D4-BU65-PE-R - 1884775



Panel cutout