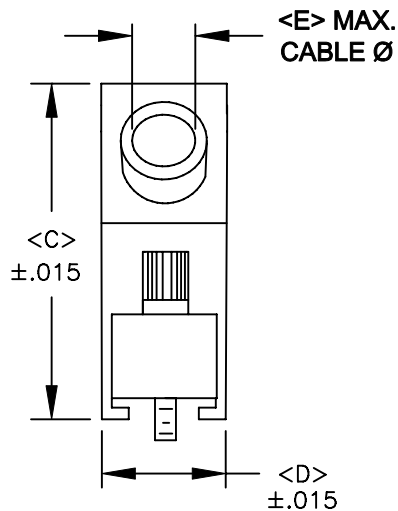
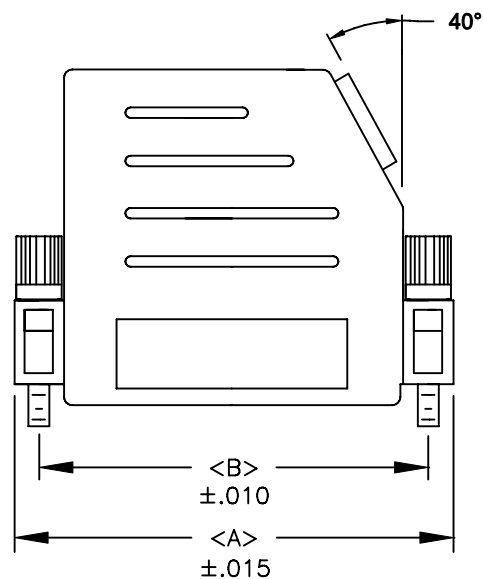


BACKSHELL KIT INCLUDES:

- (2) BACKSHELL HALVES
- (2) 4-40 THUMBSCREWS
- (2) HOUSING SCREWS
- (1) METAL STRAIN RELIEF CLAMP
- (2) STRAIN RELIEF SCREWS

974-YYY-YYYRYY1

SERIES _____
 POSITIONS _____
 009
 015
 025
 037
 050
 MATERIAL _____
 010 = PLASTIC
 020 = METALIZED PLASTIC
 COLOR: _____
 01 = BLACK
 12 = NICKEL OVER COPPER
 PUT-UPS _____
 1 = KIT



| POS. | A | B | C | D | E |
|------|-------|-------|-------|-------|-------|
| 9 | 1.240 | .984 | 1.457 | .598 | .335 |
| | 31.50 | 24.99 | 37.01 | 15.19 | 8.51 |
| 15 | 1.575 | 1.312 | 1.457 | .598 | .335 |
| | 40.01 | 33.32 | 37.01 | 15.19 | 8.51 |
| 25 | 2.106 | 1.852 | 1.614 | .598 | .433 |
| | 53.49 | 47.04 | 41.00 | 15.19 | 11.00 |
| 37 | 2.756 | 2.500 | 1.614 | .598 | .433 |
| | 70.00 | 63.50 | 41.00 | 15.19 | 11.00 |
| 50 | 2.670 | 2.406 | 1.614 | .717 | .472 |
| | 67.82 | 61.00 | 41.00 | 18.21 | 11.99 |

METALIZED PLASTIC:


MATERIAL: HIGH TEMPERATURE ABS
 PLATING: NICKEL OVER COPPER

PLASTIC:

MATERIAL: HIGH TEMPERATURE ABS
 COLOR: BLACK

OPERATING TEMP: -55°C TO +125°C

RoHS COMPLIANT

| | | | | | |
|--|---|--|------------------------------|-------------------------|-------|
|  | THESE DRAWINGS AND SPECIFICATIONS ARE THE PROPERTY OF NorComp AND SHALL NOT BE REPRODUCED, COPIED OR USED AS THE BASIS FOR THE MANUFACTURE OR SALE OF APPARATUS WITHOUT WRITTEN PERMISSION. | | DRAWN: PAM JENKINS | DATE: 7-15-05 | |
| | <h1>NorComp</h1> | | | CHECKED: | DATE: |
| SCALE: | | | | SHEET 1 OF 1 | REV 2 |
| DWG NO. 974-YYY-0Y0RYY1 | | | | | |