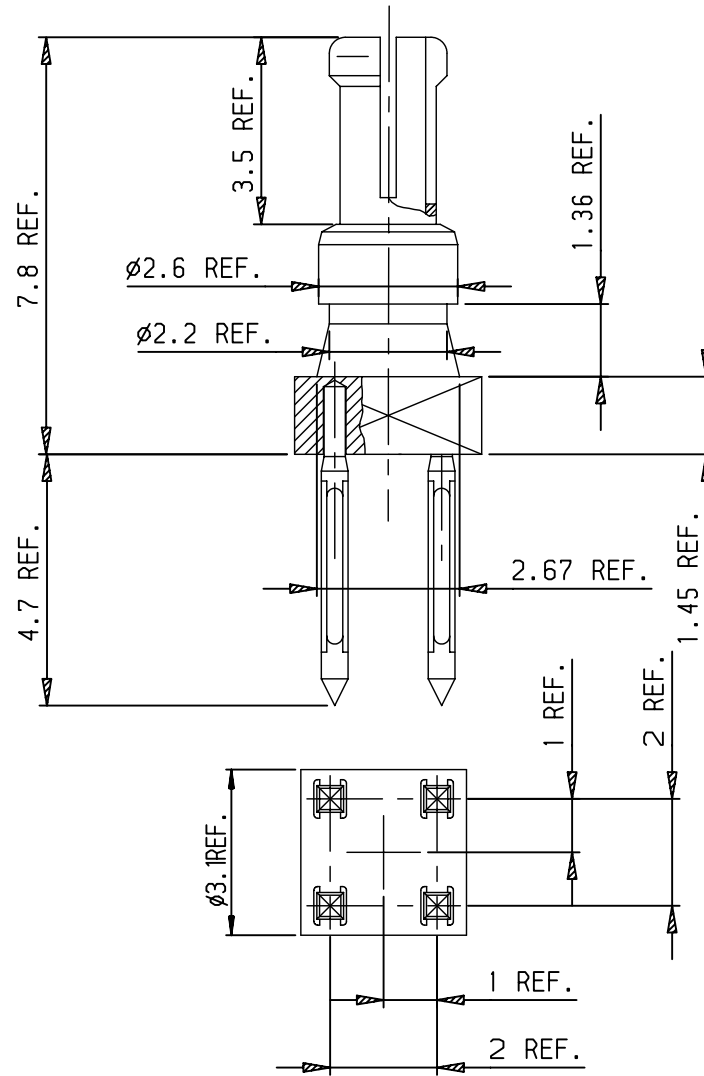
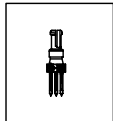


LEAD-FREE/P/N 85973-001LF PRESS FIT



NOTES:

1. THIS PRODUCT WITH "LF" SUFFIX MEETS EUROPEAN UNION DIRECTIVES AND OTHER COUNTRY REGULATIONS AS DESCRIBED IN GS -22-008.
2. THE PRODUCT IS NOT INTENDED TO BE EXPOSED TO A MANUFACTURING SOLDER PROCESS.
3. PACKAGING SPEC: SEE GS-14-920



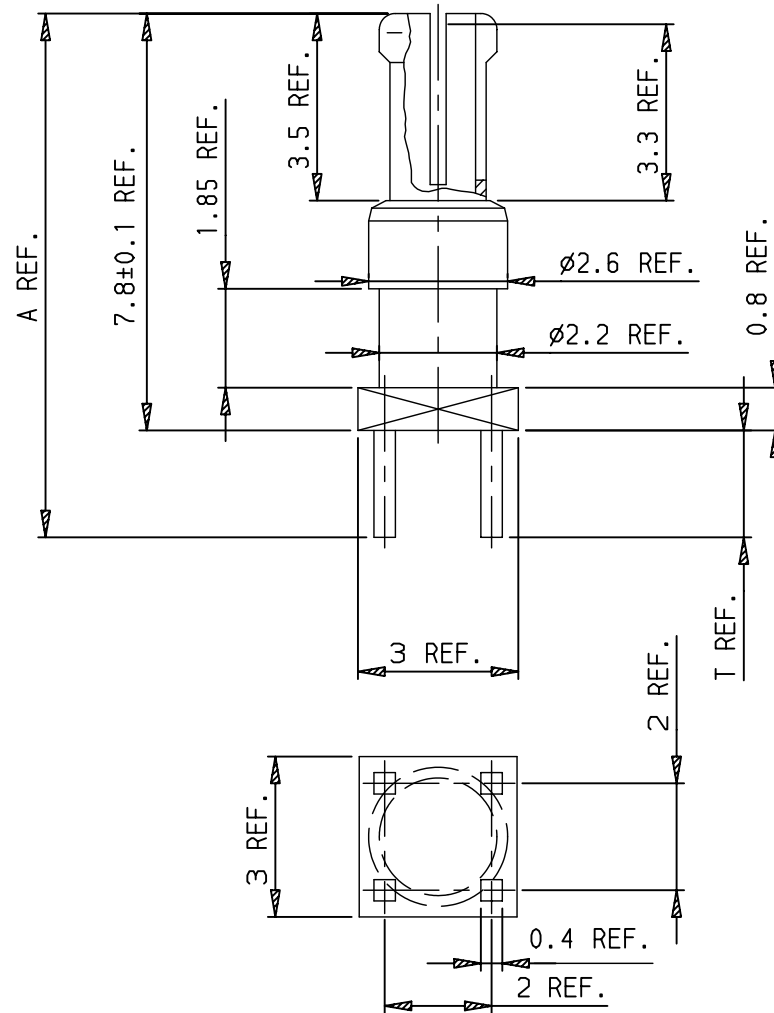
Scale 1:1

European Views

www.fciconnect.com		surface ISO 1302	<input checked="" type="checkbox"/>	tolerance std ISO 406 ISO 1101	projection 	mm
TOLERANCES UNLESS OTHERWISE SPECIFIED						
Dr	GOISNARD	2006/06/03	ANGULAR	LINEAR	0.X ±0.1	size A3
Eng	GOISNARD	2006/03/06	0.XX ±0.1	0.XXX ±0.1	Scale 10	
Chr	LEGARE	2006/03/06	0.XX ±2		ECN LS08-0057	
Appr	LEGARE	2006/03/06	Product family		METRAL	Spec ref -
FCI		title MINI POWER MALE INSERT			dwg no 85973	Rev. F
catalog no		-			CUSTOMER	sheet 1 of 2

rev	ecn no	dr	date
D	-	-	-
-	LS07-0214	LGO	2007/08/20
F	LS08-0057	LGO	2008/02/18
-	-	-	-
-	-	-	-
-	-	-	-

LEAD-FREE P/N	DIM T	DIM A	TAILTYPE
85973-002LF	2.00	9.80	SOLDER
85973-003LF	2.50	10.30	SOLDER
85973-004LF	3.00	10.80	SOLDER



NOTES:

1. THIS PRODUCT WITH "LF" SUFFIX MEETS EUROPEAN UNION DIRECTIVES AND OTHER COUNTRY REGULATIONS AS DESCRIBED IN GS-22-008.
2. THE PRODUCT WILL WITHSTAND EXPOSURE TO 260 DEGREE PEAK TEMPERATURE TO 30 SECONDS IN A WAVE SOLDER APPLICATION WITH A 1.6 mm MINIMUM THICK PCB
3. PACKAGING SPEC: SEE GS-14-920

European Views

www.fciconnect.com		surface ISO 1302	<input checked="" type="checkbox"/>	tolerance std ISO 406 ISO 1101	projection mm	TOLERANCES UNLESS OTHERWISE SPECIFIED	
Dr	GOISNARD	2006/03/06	ANGULAR	0.X	±0.1	size	Scale
Eng	GOISNARD	2006/03/06	LINEAR	0.XX	±0.1	A3	10
Chr	LEGARE	2006/03/06	0.XX' ±2'	0.XXX	±0.1	ECN	LS07-0057
Appr	LEGARE	2006/03/06	Product family	METRAL		Spec ref	-
FCI title STR STB HDR MINIPOWER INSERT		catalog no		85973		Rev. F	
CUSTOMER		sheet 2 of 2					