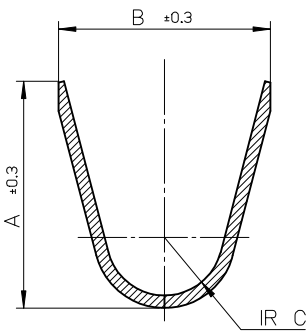
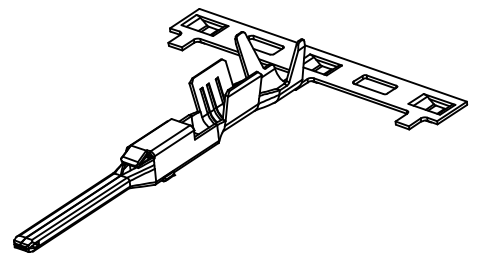
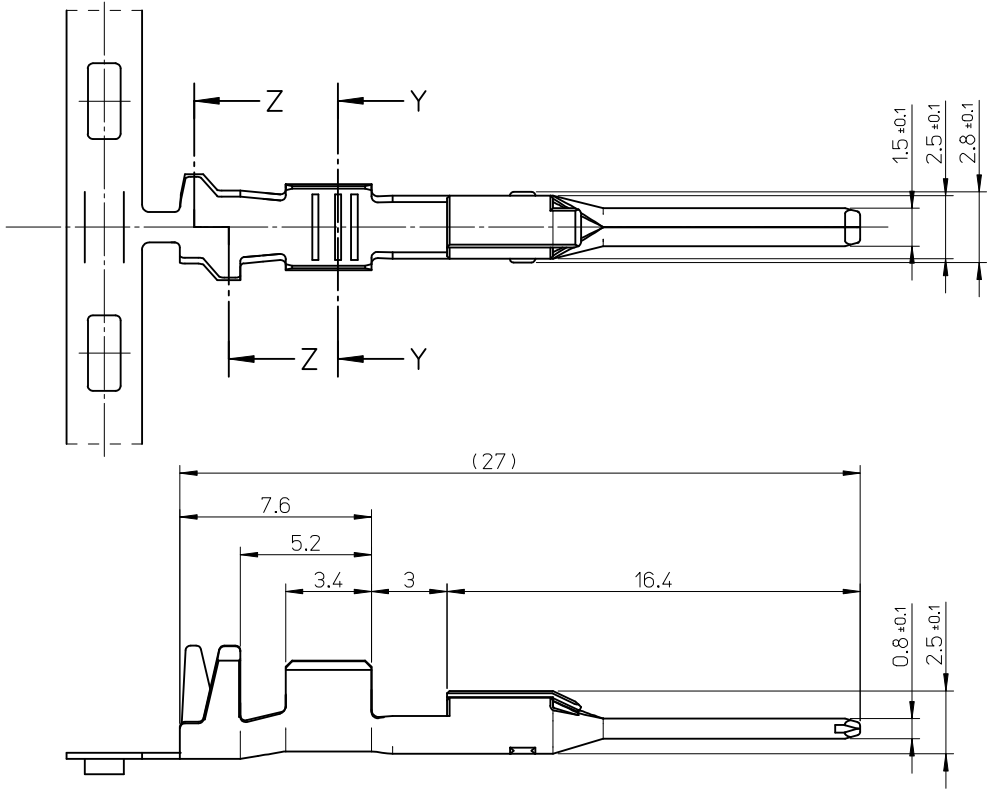
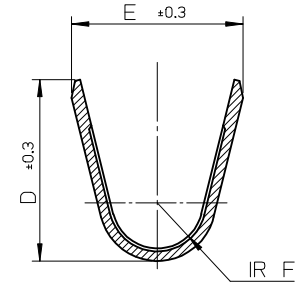


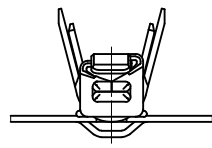
10 9 8 7 6 5 4 3 2 1



SECTION Z-Z
Scale 10:1



SECTION Y-Y
Scale 10:1



注記
NOTES

1. 材料：黄銅、錫めっき材 (t=0.25)
MATERIAL : PRE-TIN BRASS (t=0.25)
2. 適合ハウジング：501820-3209
APPLICABLE HOUSING : 501820-3209

0.6	2.9	2.5	1	3.9	3.8	AVSS 0.85	501828-0101	CHAIN
0.9	3.4	3.6	1.15	4.2	4.5	AVSS 1.25~2.0	501828-0111	CHAIN
F	E	D	C	B	A	WIRE RANGE	MATERIAL NO.	FORM

RELEASED EC NO: J2006-2342 DRWN:HKOMATSU 2006/01/25 CHKD:TAITO 2006/01/25 APPR:AKANESHIGE 2006/01/27 O	DESCRIPTION GENERAL TOLERANCES (UNLESS SPECIFIED) 10 UNDER ±0.2 10 OVER 30 UNDER ±0.25 30 OVER ±0.3 ANGULAR ±1 ° DRAFT WHERE APPLICABLE MUST REMAIN WITHIN DIMENSIONS	DIMENSION STYLE MM ONLY	SCALE 5:1	DESIGN UNITS METRIC	THIRD ANGLE PROJECTION	
		DRAWN BY HKOMATSU	DATE 2005/9/8	TITLE CMC W/W CONN. MALE TERMINAL 1.5 -LEAD FREE-		
		CHECKED BY TAITO	DATE 2005/9/9	MATERIAL NO. SD-501828-001		
		APPROVED BY AKANESHIGE	DATE 2005/9/9	SHEET NO. 1 OF 1		
SIZE A3		THIS DRAWING CONTAINS INFORMATION THAT IS PROPRIETARY TO MOLEX INCORPORATED AND SHOULD NOT BE USED WITHOUT WRITTEN PERMISSION				