

63661-1 ✓ ACTIVE



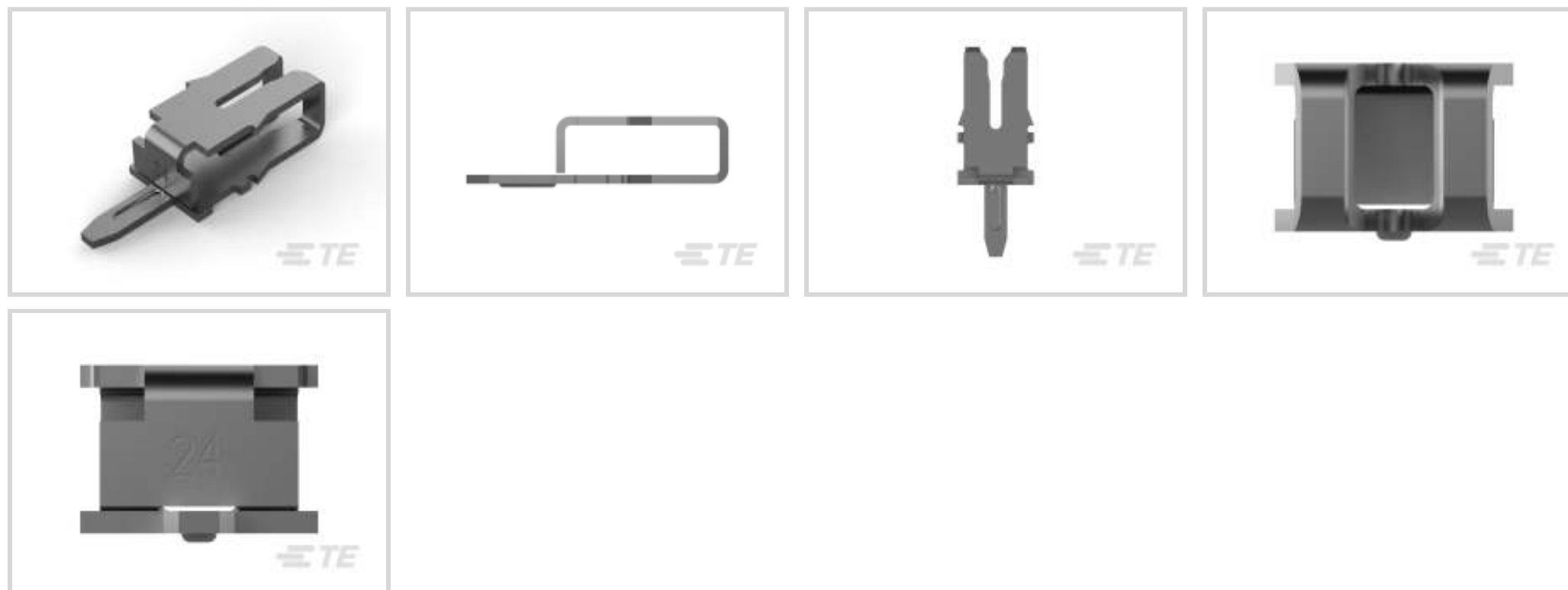
MAG-MATE

TE Internal #: 63661-1

Magnet Wire Terminals, Solder Post, Size 2, .91 – 1.15 mm Magnet Wire, 19 – 17 AWG Magnet Wire, Insulation Displacement (IDC), MAG-MATE

[View on TE.com >](#)

Terminals & Splices > Magnet Wire Terminals



Magnet Wire Terminal Type: **Solder Post**

Compatible With Cavity Size: **Size 2**

Magnet Wire Size: **.91 – 1.15 mm**

Termination Method to Wire & Cable: **Insulation Displacement (IDC)**

Features

Product Type Features

Compatible With Discrete Wire Type	Magnet Wire, Solid
------------------------------------	--------------------

Body Features

Compatible With Cavity Size	Size 2
-----------------------------	--------

Contact Features

Magnet Wire Terminal Type	Solder Post
---------------------------	-------------

Terminal Plating Material	Tin
---------------------------	-----

Contact Underplating Material	Nickel
-------------------------------	--------

Terminal Orientation	Straight
----------------------	----------

Termination Features

Termination Method to Wire & Cable	Insulation Displacement (IDC)
------------------------------------	-------------------------------

Mechanical Attachment

Mating Retention Type	Dimple
-----------------------	--------

Dimensions

Terminal Height	7.62 mm [.3 in]
-----------------	-----------------



Magnet Wire Size	.91 – 1.15 mm
------------------	---------------

Stock Thickness (Magnet Wire Side)	.41 mm [.016 in]
------------------------------------	------------------

Product Length	11.68 mm [.46 in]
----------------	-------------------

Usage Conditions

Insulation Option	Uninsulated
-------------------	-------------

Operating Temperature Range	-65 – 150 °C [-85 – 302 °F]
-----------------------------	-----------------------------

Operation/Application

Compatible With Wire Base Material	Copper
------------------------------------	--------

Identification Marking

Identification Number	24
-----------------------	----

Packaging Features

Packaging Quantity	13000
--------------------	-------

Packaging Method	Reel, Reel/Carton
------------------	-------------------

Other

Terminals & Splices Comment	PC Board hole size 1.27 [.050]., Single magnet wire only.
-----------------------------	---

Product Compliance

[For compliance documentation, visit the product page on TE.com>](#)

EU RoHS Directive 2011/65/EU	Compliant
------------------------------	-----------

EU ELV Directive 2000/53/EC	Compliant
-----------------------------	-----------

China RoHS 2 Directive MIIT Order No 32, 2016	No Restricted Materials Above Threshold
---	---

EU REACH Regulation (EC) No. 1907/2006	Current ECHA Candidate List: JUNE 2023 (235) Candidate List Declared Against: JAN 2023 (233) Does not contain REACH SVHC
--	--

Halogen Content	Low Halogen - Br, Cl, F, I < 900 ppm per homogenous material. Also BFR/CFR/PVC Free
-----------------	---

Solder Process Capability	Pin-in-Paste capable to 260°C
---------------------------	-------------------------------

Product Compliance Disclaimer




This information is provided based on reasonable inquiry of our suppliers and represents our current actual knowledge based on the information they provided. This information is subject to change. The part numbers that TE has identified as EU RoHS compliant have a maximum concentration of 0.1% by weight in homogenous materials for lead, hexavalent chromium, mercury, PBB, PBDE, DBP, BBP, DEHP, DIBP, and 0.01% for cadmium, or qualify for an exemption to these

limits as defined in the Annexes of Directive 2011/65/EU (RoHS2). Finished electrical and electronic equipment products will be CE marked as required by Directive 2011/65/EU. Components may not be CE marked. Additionally, the part numbers that TE has identified as EU ELV compliant have a maximum concentration of 0.1% by weight in homogenous materials for lead, hexavalent chromium, and mercury, and 0.01% for cadmium, or qualify for an exemption to these limits as defined in the Annexes of Directive 2000/53/EC (ELV). Regarding the REACH Regulation, the information TE provides on SVHC in articles for this part number is based on the latest European Chemicals Agency (ECHA) 'Guidance on requirements for substances in articles' posted at this URL: <https://echa.europa.eu/guidance-documents/guidance-on-reach>

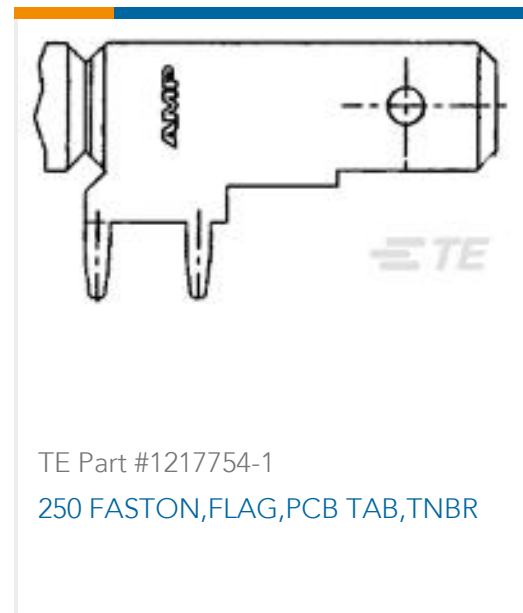
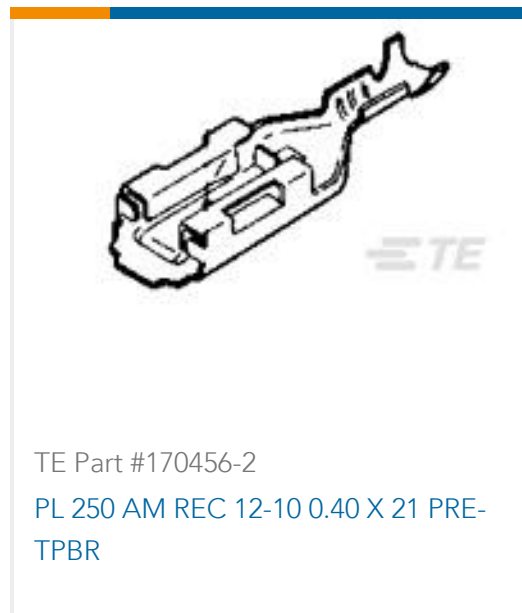
Compatible Parts

 <p>TE Part # 63659-1 MAG-MATE POST 27-23 016TPCUBR</p>	 <p>TE Part # 62833-1 MAG-MATE POKE-IN TERM 016TPBR</p>	 <p>TE Part # 62888-1 MAG-MATE 187 TAB 020 TPBR</p>	 <p>TE Part # 1217302-1 SOLDER TAB .041 MAG-MATE</p>
 <p>TE Part # 62833-2 MAG-MATE POKE-IN TERM 016TPBR</p>	 <p>TE Part # 62912-1 MAG-MATE POKE-IN 016 TPBR</p>	 <p>TE Part # 63658-2 MAG-MATE TERM 25-22 016 TPBR</p>	 <p>TE Part # 2825438-1 MAG-MATE POST 27-23 016TPNIBR</p>
 <p>TE Part # 62511-2 MAG-MATE 22-20 187 F TAB TPBR</p>	 <p>TE Part # 63658-3 MAG MATE TERM 25-22 016TPBR</p>	 <p>TE Part # 63975-1 MAG-MATE TRI SLOT 016 TPBR</p>	

Also in the Series | MAG-MATE

 <p>Insertion & Extraction Tools(7)</p>	 <p>Magnet Wire Terminals(435)</p>	 <p>PCB Terminals(1)</p>
--	---	---

Customers Also Bought



Documents

Product Drawings

MAG-MATE POST 19-17 016TPCUBR

English

CAD Files

3D PDF

3D

Customer View Model

[ENG_CVM_CVM_63661-1_L.2d_dxf.zip](#)

English

Customer View Model

[ENG_CVM_CVM_63661-1_L.3d_igs.zip](#)

English

Customer View Model

[ENG_CVM_CVM_63661-1_L.3d_stp.zip](#)

English

By downloading the CAD file I accept and agree to the [Terms and Conditions](#) of use.

Datasheets & Catalog Pages

Magnet Wire Terminals & Splices

English

Product Specifications

Application Specification

English

Product Environmental Compliance

Product Compliance

63661-1

Magnet Wire Terminals, Solder Post, Size 2, .91 – 1.15 mm Magnet Wire, 19 – 17
AWG Magnet Wire, Insulation Displacement (IDC), MAG-MATE



English

Product Compliance

English