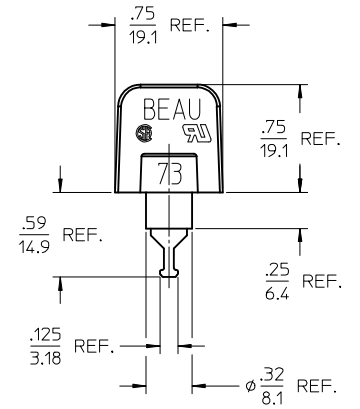
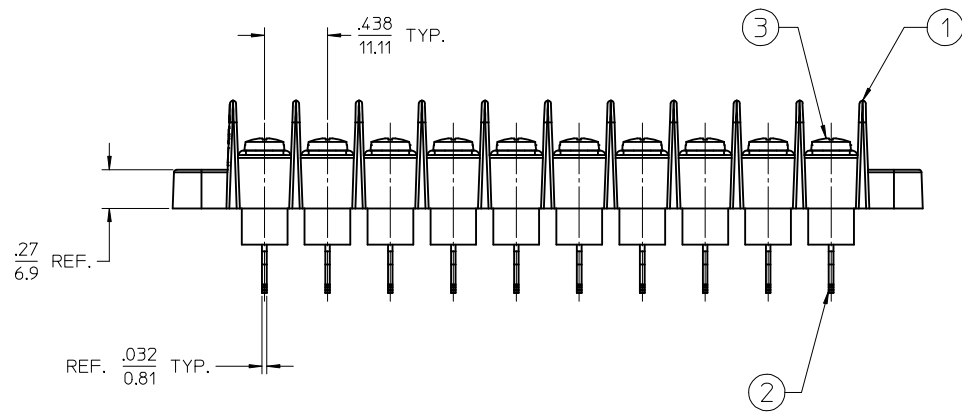
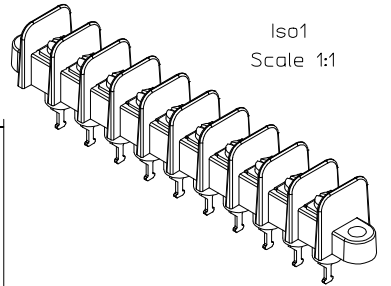
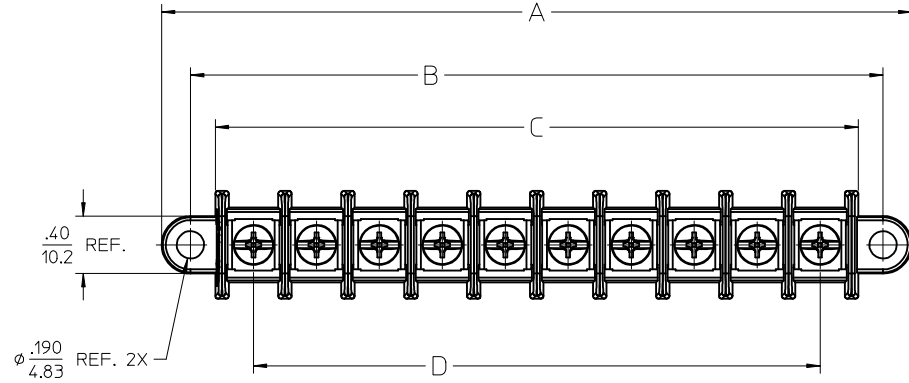


CIRCUITS	PART NO.	ENG. NO.	"A"	"B"	"C"	"D"
2	387390040	73202-56	1.71	1.313	.97	.438
3	387390055	73203-56	2.15	1.750	1.40	.876
4	387390100	73204-56	2.59	2.188	1.84	1.314
5			3.03	2.625	2.28	1.752
6	387390218	73206-56	3.46	3.063	2.72	2.190
7			3.90	3.500	3.15	2.628
8	387390526	73208-56	4.39	3.938	3.59	3.066
9			4.78	4.375	4.03	3.504
10	387390327	73210-56	5.21	4.813	4.47	3.942
11	387390479	73211-56	5.65	5.250	4.90	4.380
12	387390358	73212-56	6.09	5.688	5.34	4.818
13			6.53	6.125	5.78	5.256
14	387390463	73214-56	6.96	6.563	6.22	5.694
15	387390321	73215-56	7.40	7.000	6.65	6.132
16			7.84	7.438	7.09	6.570
17			8.28	7.875	7.53	7.008
18	387390391	73218-56	8.71	8.313	7.97	7.446
19			9.15	8.750	8.40	7.884
20			9.59	9.188	8.84	8.322
21			10.03	9.625	9.28	8.760
22			10.46	10.063	9.72	9.198
23			10.90	10.500	10.15	9.636
24			11.39	10.938	10.59	10.074
25	387390619	73225-56	11.78	11.375	11.03	10.512
26	387390406	73226-56	12.22	11.813	11.47	10.950
27			12.65	12.250	11.90	11.388
28			13.09	12.688	12.34	11.826
29			13.53	13.125	12.78	12.264
30			13.96	13.563	13.22	12.702



- NOTES:
1. MATERIAL: SEE TABLE
 2. FINISHES: SEE TABLE
 3. ELECTRICAL SPECIFICATIONS
VOLTAGE RATING: 300V AC/DC
CURRENT RATING: 15 AMPS
 4. ASSEMBLY IS RoHS COMPLIANT

3	XX	SCREW, #6-32 BTN HD, PHIL-SLOT	ST. STEEL	PASSIVATED
2	XX	TERMINAL, TURRET STYLE	BRASS	TIN PLATED
1	1	BARRIER STRIP	POLYESTER	BLACK
ITEM	QTY	DESCRIPTION	MATERIAL	FINISH

RELEASED EC NO: IPG2014-1730 DRWR: RSTONE 2014/04/11 CHKD: RUPERT 2014/04/25 APPR: JFMURPHY 2014/07/01	QUALITY SYMBOLS	GENERAL TOLERANCES (UNLESS SPECIFIED)	DIMENSION STYLE	SCALE	DESIGN UNITS	THIRD ANGLE PROJECTION																		
	$\nabla=0$ $\nabla=0$	<table border="1"> <thead> <tr> <th></th> <th>mm</th> <th>INCH</th> </tr> </thead> <tbody> <tr> <td>4 PLACES</td> <td>± .005</td> <td>± .0005</td> </tr> <tr> <td>3 PLACES</td> <td>± .005</td> <td>± .0005</td> </tr> <tr> <td>2 PLACES</td> <td>± 0.13</td> <td>± .01</td> </tr> <tr> <td>1 PLACE</td> <td>± 0.3</td> <td>± .01</td> </tr> <tr> <td>0 PLACE</td> <td>± .005</td> <td>± .0005</td> </tr> </tbody> </table>		mm	INCH	4 PLACES	± .005	± .0005	3 PLACES	± .005	± .0005	2 PLACES	± 0.13	± .01	1 PLACE	± 0.3	± .01	0 PLACE	± .005	± .0005	IN/MM	15:1	INCH	
		mm	INCH																					
	4 PLACES	± .005	± .0005																					
3 PLACES	± .005	± .0005																						
2 PLACES	± 0.13	± .01																						
1 PLACE	± 0.3	± .01																						
0 PLACE	± .005	± .0005																						
DRAFT WHERE APPLICABLE MUST REMAIN WITHIN DIMENSIONS	DRAWN BY RSTONE DATE 2014/04/11 CHECKED BY B. RUPERT DATE 2014/04/25 APPROVED BY JFMURPHY DATE 2014/07/01 MATERIAL NO. SEE CHART	TITLE BTS ASSY, 73 SERIES WITH TURRET, MTG ENDS	DOCUMENT NO. SD-38739-026	SHEET NO. 1 OF 1																				
THIS DRAWING CONTAINS INFORMATION THAT IS PROPRIETARY TO MOLEX. INCORPORATED AND SHOULD NOT BE USED WITHOUT WRITTEN PERMISSION																								