

1



1. Insert the kit DVD in the DVD drive.
2. Install kit contents, PSoC Designer, and PSoC Programmer.

**Note** The hardware prerequisites for this kit are CY3280-20x34 Universal CapSense Controller (UCC) board and MiniProg 1

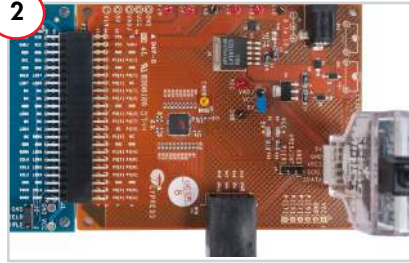
3



1. Connect MiniProg 1 to the CY3280-20x34 UCC board's ISSP connector (J3). Connect it to your PC using a USB cable.
2. In PSoC Programmer, click File > File Load. Browse and load the following file: `CY3280_BMM_20x34.hex`.
3. Click Connect; connect MiniProg 1 to PC.
4. Click the Program button.
5. Click the Toggle button.

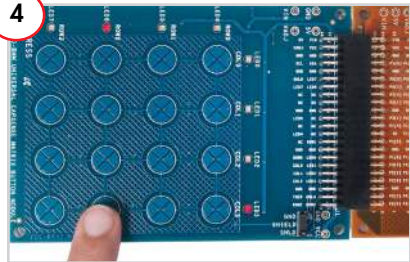
**Note** The hex file is located at:  
<Install\_Directory>:\Cypress\CY3280-BMM\

2



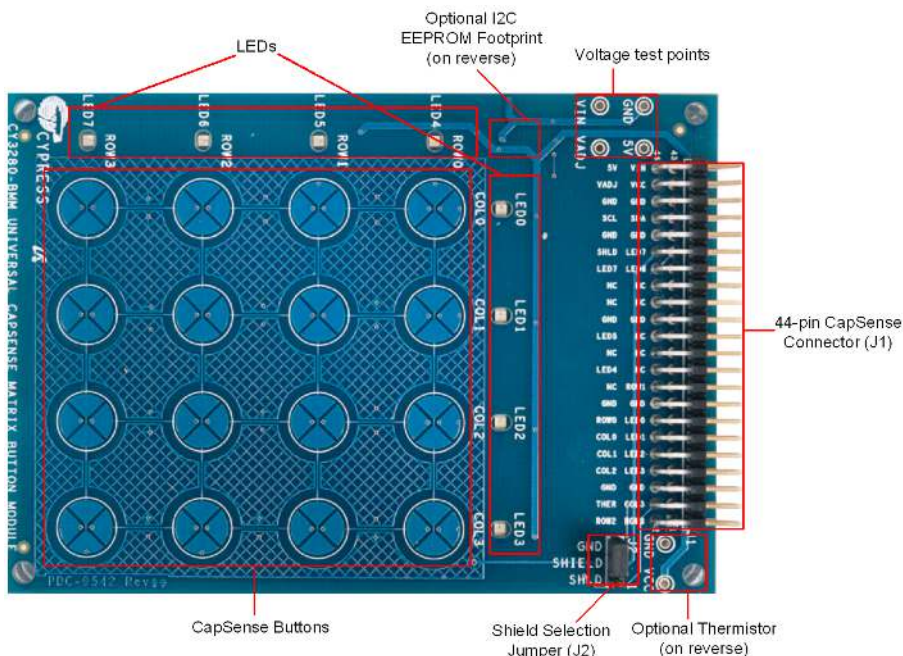
1. Connect the CY3280-BMM board to the CY3280-20x34 UCC board's P2 connector.
2. In the CY3280-20x34 board, place the jumper on header J1 to short pins 2 and 3.
3. In the CY3280-BMM board, place the jumper on header J2 to short pins 2 and 3.

4



1. Touch one button at a time. The corresponding row and column LED lights up with each touch, indicating the button you touched.
2. If you touch more than one button, all the LEDs are turned off because multi touch is not supported.

## CY3280-BMM Kit Details



**Note** For more details on code examples, see the PDF accompanying the project in the Firmware folder (for example, Readme\_20x34\_CSA.pdf) in the directory: <Install\_Directory>:\Cypress\CY3280-BMM\<version>\Firmware\20X34\_CSA\.

CY3280-BMM can be used with any of the following UCCs: CY3280-20x66, CY3280-24x94, or CY3280-21x34 (ordering part number is CY3280-BK1).

For the latest information about this kit, visit  
<http://www.cypress.com/go/CY3280-BMM>

