

Description: 5 dBi antenna for 758-870MHz

Series: Whip Antenna

PART NUMBER: NMO770



Features:

- 758-870 MHz
- FirstNet Band 14 compliant
- Omnidirectional antenna
- 5/8 over 1/2 λ
- Polarization: Vertical
- Gain: 5 dBi
- Antenna Length: 17.24 inch

Applications:

- Vehicular mount
- Public safety
- First responders
- RoHS compliant

All dimensions are in mm / inches

Issue: 1816

In the effort to improve our products, we reserve the right to make changes judged to be necessary.

CONFIDENTIAL AND PROPRIETARY INFORMATION

This document contains confidential and proprietary information of Pulse Electronics, Inc. (Pulse) and is protected by copyright, trade secret and other state and federal laws. Its receipt or possession does not convey any rights to reproduce, disclose its contents, or to manufacture, use or sell anything it may describe. Reproduction, disclosure or use without specific written authorization of Pulse is strictly forbidden.

For more information:

Pulse Worldwide Headquarters
15255 Innovation Drive #100
San Diego, CA 92128
USA
Tel: 1-858-674-8100

Pulse/Larsen Antennas
18110 SE 34th St Bldg 2 Suite 250
Vancouver, WA 98683
USA
Tel: 1-360-944-7551

Europe Headquarters
Pulse GmbH & Do, KG
Zeppelinstrasse 15
Herrenberg, Germany
Tel: 49 7032 7806 0

Pulse (Suzhou) Wireless Products Co, Inc.
99 Huo Ju Road(#29 Bldg,4th Phase
Suzhou New District
Jiangsu Province, Suzhou 215009 PR China
Tel: 86 512 6807 9998



Description: 5 dBi antenna for 758-870MHz**Series:** Whip Antenna**PART NUMBER:** NMO770**ELECTRICAL SPECIFICATIONS**

Antenna Type	Whip
Frequency	758-870MHz
Nominal Impedance	50 Ω
VSWR	2:1 Typ
Radiation Pattern	Omn
Gain	5 dBi
Efficiency	80%
Polarization	Vertical
Power Withstanding	200 W

MECHANICAL SPECIFICATIONS

Overall Length	438 mm/17.24 inch
Weight	134 g
Connector type	NMO

ENVIRONMENTAL SPECIFICATIONS

Operating Temperature	-40 to +80 ° C
RoHS Compliant	Yes

Description: 5 dBi antenna for 758-870MHz**Series:** Whip Antenna**PART NUMBER:** NMO770**This document covers all product variants of the following product family**

Antennas	Color	Connector
NMO770	Stainless	NMO
NMO770B	BLACK	

Issue: 1816

In the effort to improve our products, we reserve the right to make changes judged to be necessary.

CONFIDENTIAL AND PROPRIETARY INFORMATION

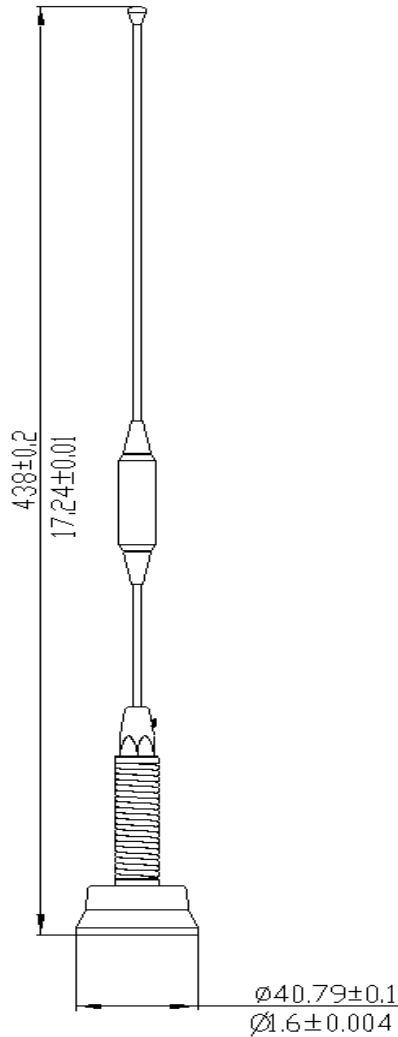
This document contains confidential and proprietary information of Pulse Electronics, Inc. (Pulse) and is protected by copyright, trade secret and other state and federal laws. Its receipt or possession does not convey any rights to reproduce, disclose its contents, or to manufacture, use or sell anything it may describe. Reproduction, disclosure or use without specific written authorization of Pulse is strictly forbidden.

Description: 5 dBi antenna for 758-870MHz

Series: Whip Antenna

PART NUMBER: NMO770

MECHANICAL DRAWING



Issue: 1816

In the effort to improve our products, we reserve the right to make changes judged to be necessary.

CONFIDENTIAL AND PROPRIETARY INFORMATION

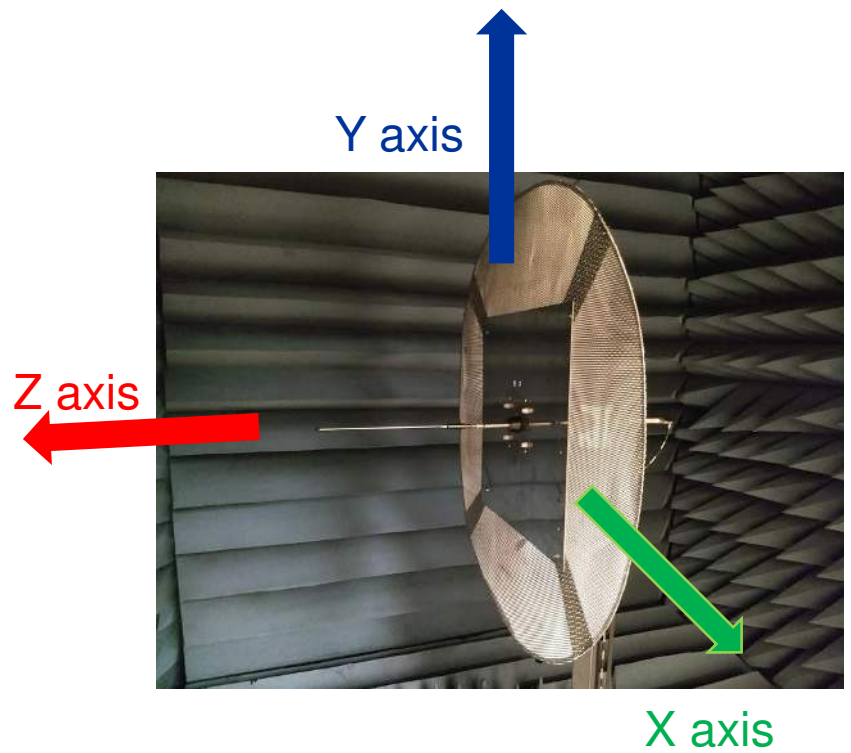
This document contains confidential and proprietary information of Pulse Electronics, Inc. (Pulse) and is protected by copyright, trade secret and other state and federal laws. Its receipt or possession does not convey any rights to reproduce, disclose its contents, or to manufacture, use or sell anything it may describe. Reproduction, disclosure or use without specific written authorization of Pulse is strictly forbidden.

Description: 5 dBi antenna for 758-870MHz

Series: Whip Antenna

PART NUMBER: NMO770

TEST SETUP

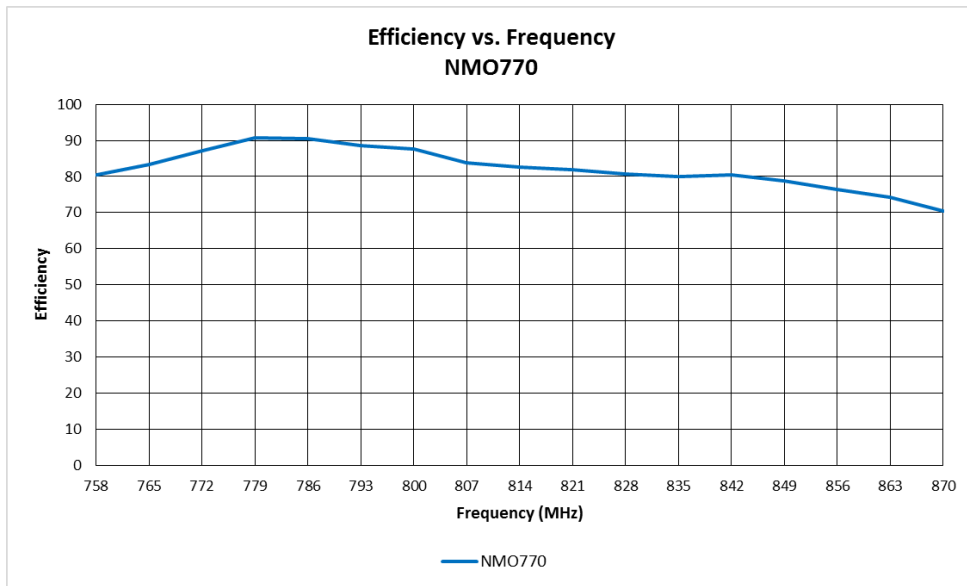
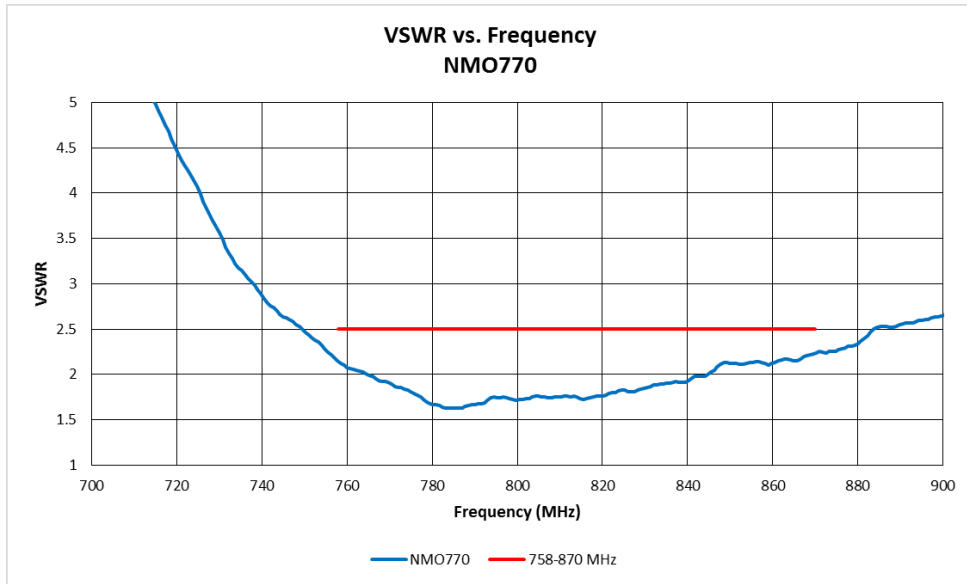


Description: 5 dBi antenna for 758-870MHz

Series: Whip Antenna

PART NUMBER: NMO770

CHARTS



Issue: 1816

In the effort to improve our products, we reserve the right to make changes judged to be necessary.

CONFIDENTIAL AND PROPRIETARY INFORMATION

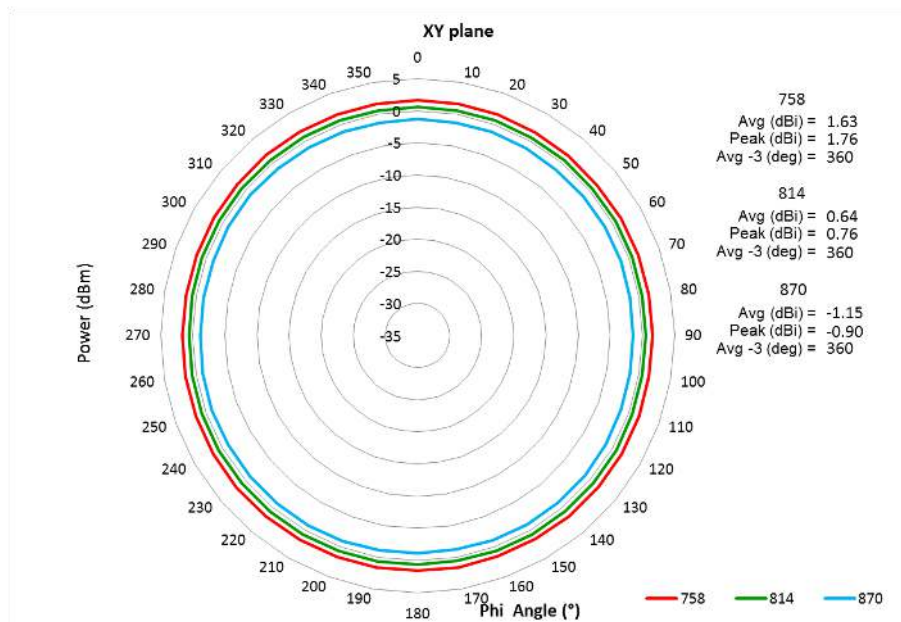
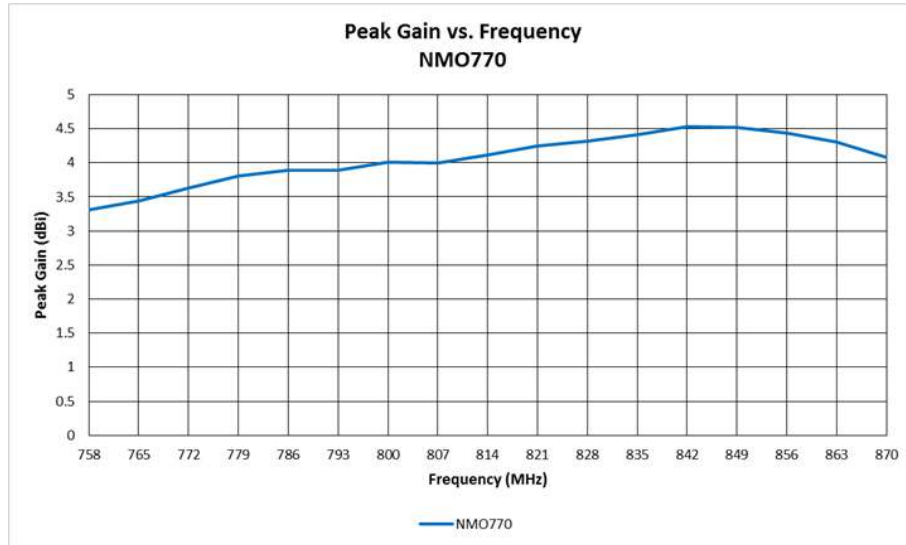
This document contains confidential and proprietary information of Pulse Electronics, Inc. (Pulse) and is protected by copyright, trade secret and other state and federal laws. Its receipt or possession does not convey any rights to reproduce, disclose its contents, or to manufacture, use or sell anything it may describe. Reproduction, disclosure or use without specific written authorization of Pulse is strictly forbidden.

Description: 5 dBi antenna for 758-870MHz

Series: Whip Antenna

PART NUMBER: NMO770

CHARTS



Issue: 1816

In the effort to improve our products, we reserve the right to make changes judged to be necessary.

CONFIDENTIAL AND PROPRIETARY INFORMATION

This document contains confidential and proprietary information of Pulse Electronics, Inc. (Pulse) and is protected by copyright, trade secret and other state and federal laws. Its receipt or possession does not convey any rights to reproduce, disclose its contents, or to manufacture, use or sell anything it may describe. Reproduction, disclosure or use without specific written authorization of Pulse is strictly forbidden.

Series: Whip Antenna

Description: 5 dBi antenna for 758-870MHz

PART NUMBER: NMO770

PACKAGING

1 plastic bag containing:

- 1 Antenna
- 1 Wrench
- 1 O-ring
- 1 NMO Gasket

1 label on plastic bag with part number, date code.