

CODE	DIM "M" MATING LENGTH	CONTACT TYPE
PA	[1.07]	POWER
H	[N/A]	SIGNAL
G	[N/A]	SIGNAL
F	[N/A]	SIGNAL
E	[N/A]	SIGNAL
HA	[N/A]	HOLD-DOWN

spec ref	SEE NOTES		
tolerance std	TOLERANCES UNLESS OTHERWISE SPECIFIED		
SEE NOTES	linear	0.X	±0.50
		0.XX	±0.25
		0.XXX	±0.10
	angular	0°	±2°

dr	Luo Weller	2013/01/13
eng	Luo Weller	2013/02/05
chr	-	-
appr	Pei-Ming Zheng	2013/02/05

projection	MM	size	A4	scale	1:1
		ecn no		-	
product family		PwrBlade		rel level	
				Released	



title 2P+1ACP+8S+7DCP
 R/A SOLDER RECEPTACLE
 cat. no.

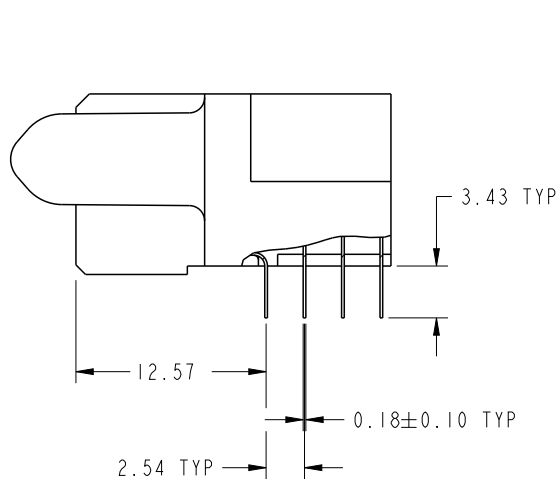
dwg no 51915-386
 rev A
 Product - Customer Drw
 sheet 1 of 4



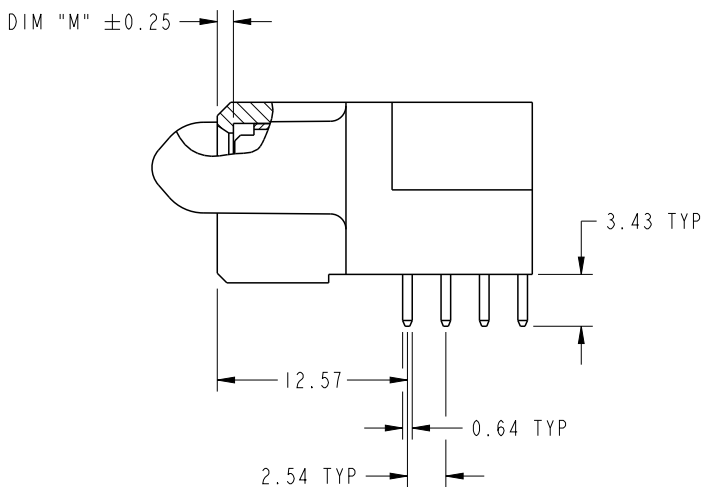
Copyright FCI.

PRODUCT NUMBER

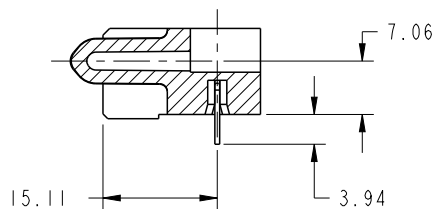
51915-386__
NOTE 3



BROKEN-OUT SECTION A-A
SCALE 2:1



BROKEN-OUT SECTION B-B
SCALE 2:1

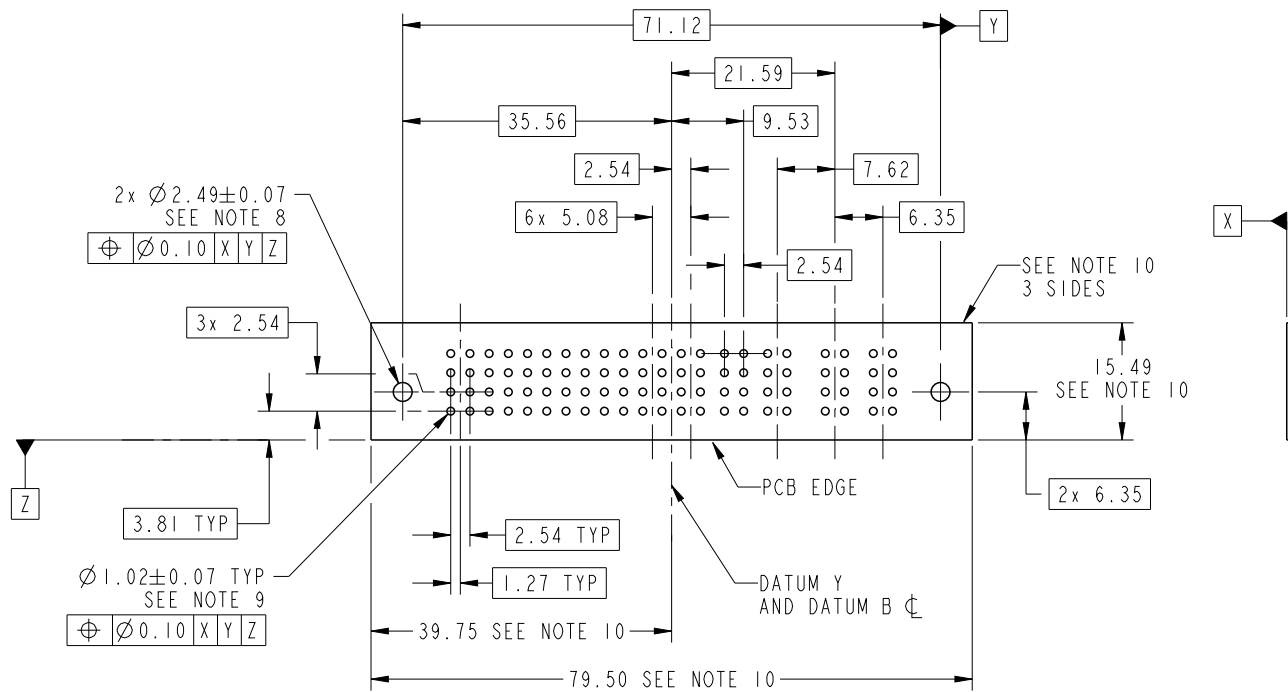


SECTION C-C

dr	Luo Weller	2013/01/13	projection 	MM 	size	A4	scale	1:1
eng	Luo Weller	2013/02/05			ecn no	-		
chr	-	-			rel level	Released		
appr	Pei-Ming Zheng	2013/02/05	product family	PwrBlade	rev	A		
		title 2P+1ACP+8S+7DCP R/A SOLDER RECEPTACLE	dwg no 51915-386	cat. no. Product - Customer Drw	sheet 2 of 4			

PRODUCT NUMBER

51915-386__
NOTE 3



RECOMMENDED PCB LAYOUT

dr	Luo Weller	2013/01/13	projection 	MM 	size	A4	scale	1:1
eng	Luo Weller	2013/02/05			ecn no	-		
chr	-	-			rel level	Released		
appr	Pei-Ming Zheng	2013/02/05	product family	PwrBlade				
	title	2P+1ACP+8S+7DCP R/A SOLDER RECEPTACLE		dwg no	51915-386		rev	A
www.fci.com	cat. no.	Product - Customer Drw			sheet 3 of 4			

PRODUCT NUMBER

51915-386__
NOTE 3

NOTES:

1. DIMENSIONS AND TOLERANCES ARE IN ACCORDANCE WITH ASME Y14.5M, 1994 UNLESS OTHERWISE SPECIFIED.

CONNECTOR NOTES:

- 2. HOUSING MATERIAL: UL 94 V-0 GLASS FILLED HIGH-TEMP THERMOPLASTIC
POWER CONTACT MATERIAL: COPPER ALLOY
SIGNAL PIN MATERIAL: COPPER ALLOY
- 3. SEE ITEM 5 & 6 IN PRINT 10064183 FOR PLATING SPEC OF 51915-386 AND 51915-386LF RESPECTIVELY.

4. MANUFACTURER'S NAME, DATE CODE AND OPTIONAL P/N TO APPEAR ON THIS SURFACE. THE MARK CAN BE OMITTED IF THERE IS NOT ENOUGH SPACE ON THIS SURFACE.

5. PRODUCT SPECIFICATION GS-12-149.
APPLICATION SPECIFICATION BUS-20-067.

6. PACKAGED IN TRAYS.

PCB NOTES:

7. ALL HOLE DIAMETERS ARE FINISHED HOLE SIZE.

8. MOUNTING HOLES, WHERE APPLICABLE, ARE UNPLATED.

9. $\varnothing 1.151 \pm 0.025$ DRILLED HOLES PLATED WITH
0.008 MIN SnPb OR Sn OVER 0.03
TO 0.08 Cu PLATING TO ACHIEVE
 $\varnothing 1.02 \pm .07$ HOLE.

10. CONNECTOR KEEP-OUT ZONE.

11. THE VOID CORING IN BETWEEN POWER MODULES, SIGNAL MODULES AND END MODULES ARE OPTIONAL AND THE SHAPE MAY BE DIFFERENT FOR OPTIMIZE THE MOLDING PROCESS. THE VOID CORING WILL NOT EFFECT TO PRODUCT FUNCTION.



Copyright FCI.

dr	Luo Weller	2013/01/13	projection 	MM 	size	A4	scale	1:1			
eng	Luo Weller	2013/02/05			ecn no	-					
chr	-	-			product family	PwrBlade	rel level	Released			
appr	Pei-Ming Zheng	2013/02/05			title	2P+1ACP+8S+7DCP		dwg no	51915-386	rev	A
www.fci.com		cat. no.	Product - Customer Drw			sheet 4 of 4					