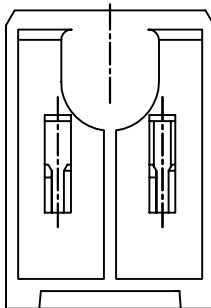
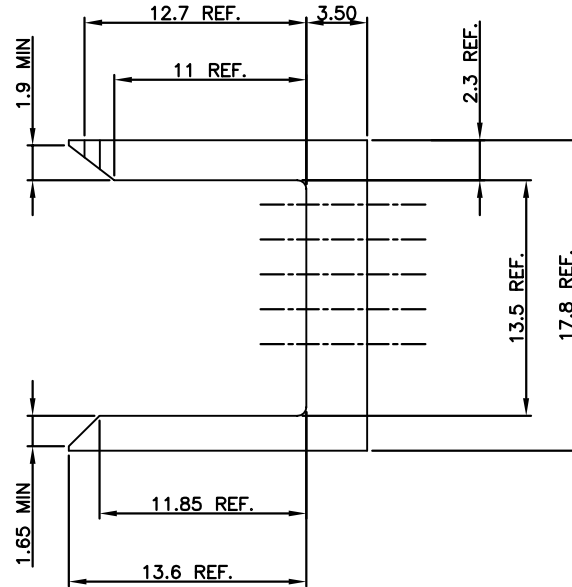
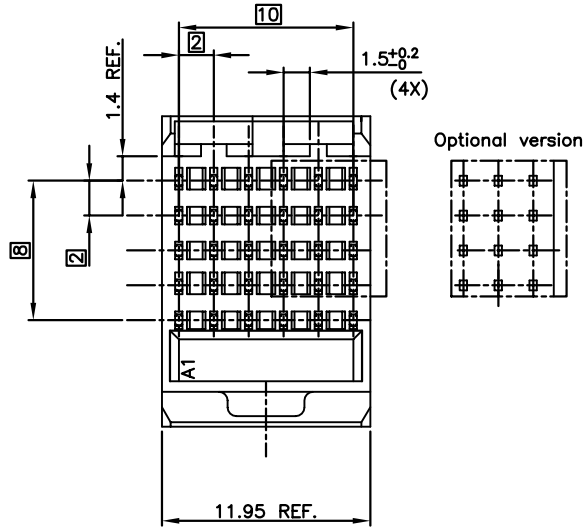


PART NUMBER	NO. OF MOD.
10027633-001	1
10027633-001LF	1

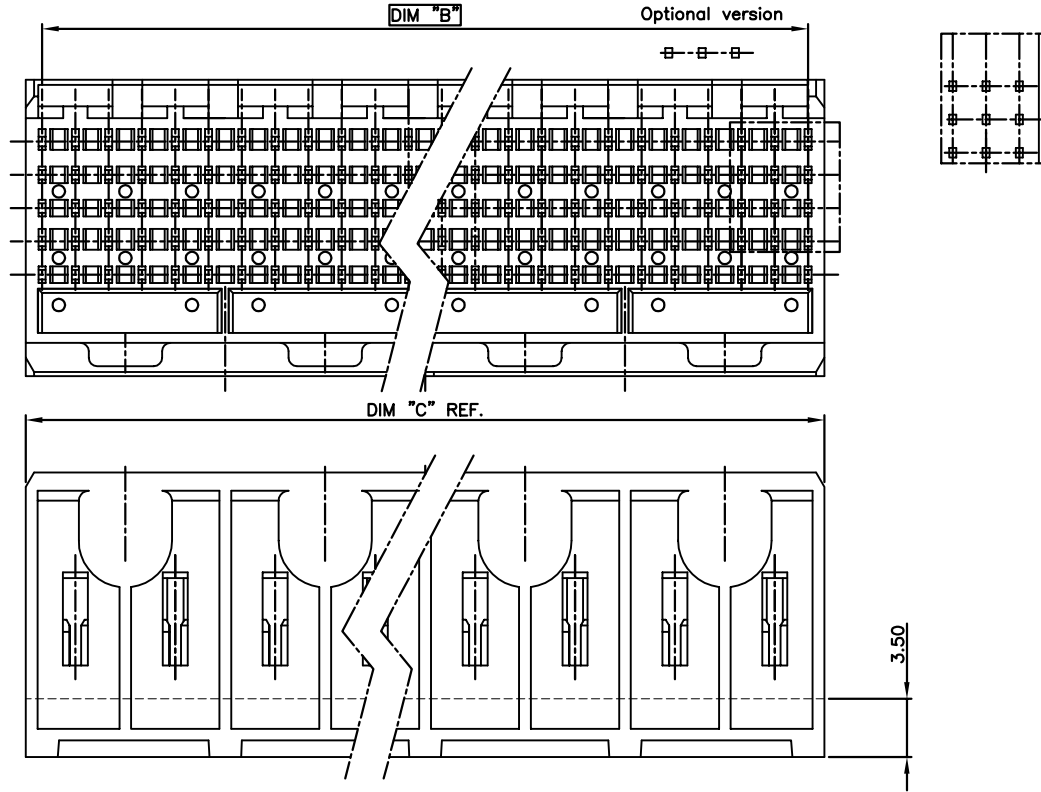


NOTES:

1. BODY MATERIAL: LIQUID CRYSTAL POLYMER 30% GLASS. FLAME RETARDANT ACC. TO UL 94-V0. COLOUR : NATURAL.
2. FOR LEAD FREE NUMBERS, ADD AN 'LF' SUFFIX. PART NUMBERS THAT DO NOT END IN 'LF' ARE LEAD FREE. EXAMPLE: 10027633-001LF
3. THE PRODUCTS WHERE THE PART NUMBER ENDS IN LF AND THE NONE LF PART NUMBERS MEET THE EUROPEAN UNION DIRECTIVES AND OTHER COUNTRY REGULATIONS AS DESCRIBED IN GS-22-008.
4. ALL PRODUCTS WILL WITHSTAND EXPOSURE TO 260°C FOR 60 SECONDS IN A CONVECTION, INFRA-RED OR VAPOUR PHASE REFLOW OVEN.

mat'l. code		surface		tolerance		projection		product family			
SEE NOTE 1		ASME Y14.5		ASME Y14.5				METRAL (tm)			
ltr	ecn no	dr	date	tolerances unless otherwise specified				title			
A	V03-0456	LP	03/21/03	angles	UNLESS	.X±.3	MM		5 ROW SHROUD		
B	V06-0080	JRV	3/15/06	UNLESS	.XX±.13						
C	V06-0609	DCH	2006-06-22	0°±2'	.XXX±.051	scale 1:1					
		dr	L.POTTEIGER	03/21/03			FCI		dwg no	sheet 1 of 2	size
		enrg	M.GRAY	03/21/03					10027633		A4
		chr	M.GRAY	03/21/03					type		
		appd	M.GRAY	03/21/03					CUSTOMER Drawing		
sheet index	revision sheet	C	C								
		1	2								

PART NUMBER	NO. OF MOD.	DIM B	DIM C
10027633-002	2	22	23.95
10027633-003	4	46	47.95
10027633-004	8	94	95.95
10027633-002LF	2	22	23.95
10027633-003LF	4	46	47.95
10027633-004LF	8	94	95.95



NOTES :

1. FOR ALL OTHER PRODUCT INFORMATION SEE SHEET 1.

mat'l. code		surface		tolerance		projection		product family	
SEE NOTE 1		ASME Y14.5		ASME Y14.5				METRAL (tm)	
ltr	ecn no	dr	date	tolerances unless otherwise specified					
c				angles	.X±.3	MM		title	
				0°±2'	.XX±.13	scale 1:1		5 ROW SHROUD	
					.XXX±.051			dwg no	
		dr	L.POTTEIGER	03/21/03			sheet 2 of		
		engr	M.GRAY	03/21/03			10027633		
		chr	M.GRAY	03/21/03			A4		
		app	M.GRAY	03/21/03			type		
sheet index		revision sheet						CUSTOMER Drawing	