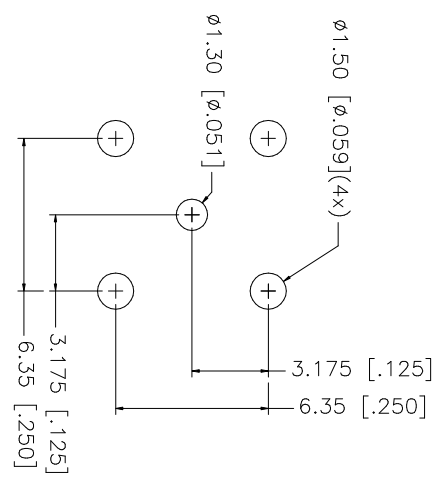
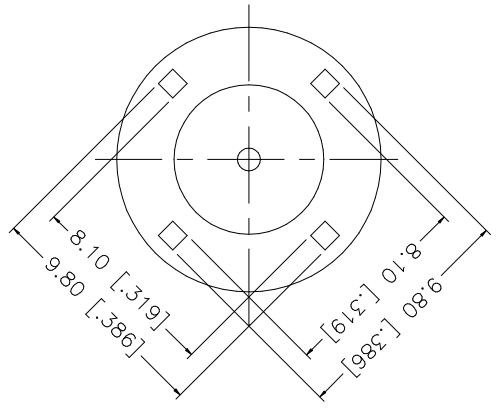
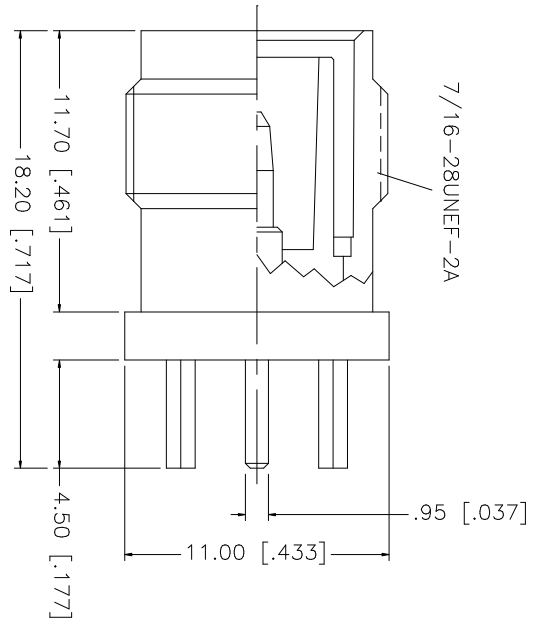


REV.	DATE	DESCRIPTION
NC	09/26/05	INITIAL RELEASE



PCB MOUNTING HOLES

REV.	DATE	DESCRIPTION
NC	09/26/05	INITIAL RELEASE

8		UNLESS OTHERWISE SPECIFIED DIMENSIONS ARE IN MILLIMETERS. DIMENSIONS IN [] ARE IN INCHES AND FOR CUSTOMER REFERENCE ONLY.
7		UNLESS OTHERWISE SPECIFIED TOLERANCES FOR MILLIMETERS ARE:
6		0.5 - 8mm ± 0.20mm
5		8 - 30mm ± 0.40mm
4		30 - 120mm ± 0.50mm
3		UNLESS OTHERWISE SPECIFIED TOLERANCES FOR INCHES ARE:
2		.020 - .315 = ± 0.007"
1		.315 - 1.180 = ± 0.015"
1		1.180 - 4.724 = ± 0.020"
		DO NOT SCALE DRAWING

APPROVALS	DATE
DRAWN G.R.S.	09/26/05
CHECKED	
ISSUED	
SHEET 1 OF 1	

CAD FILE	C:/122/122440RP.DWG
DWG. NO.	122440RP.DWG
REV.	NC
SIZE	A
SCALE	NA

Amphenol Connex	
TNC REVERSE POLARITY P.C. MOUNT RECEPT. JACK	
PART NO.	122440RP

DESCRIPTION	MATERIAL	FINISH	QTY
1 BODY	BRASS	NICKEL	1
2 INSULATOR	TEFLON	NATURAL	1
3 CONTACT PIN	PHOS. BRONZE	GOLD	1