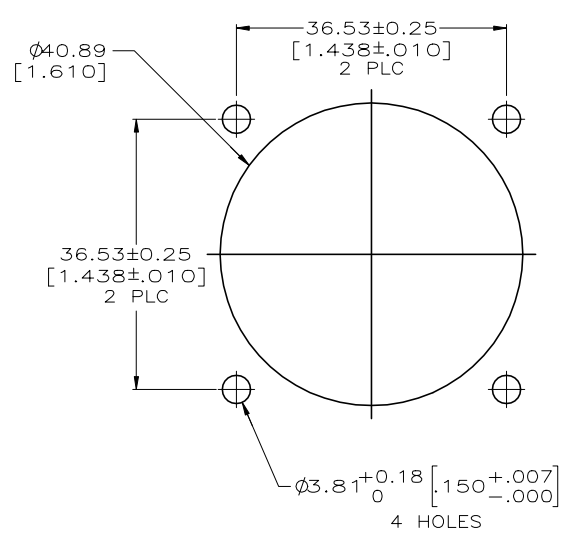
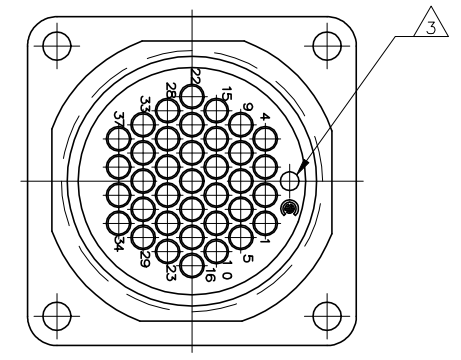
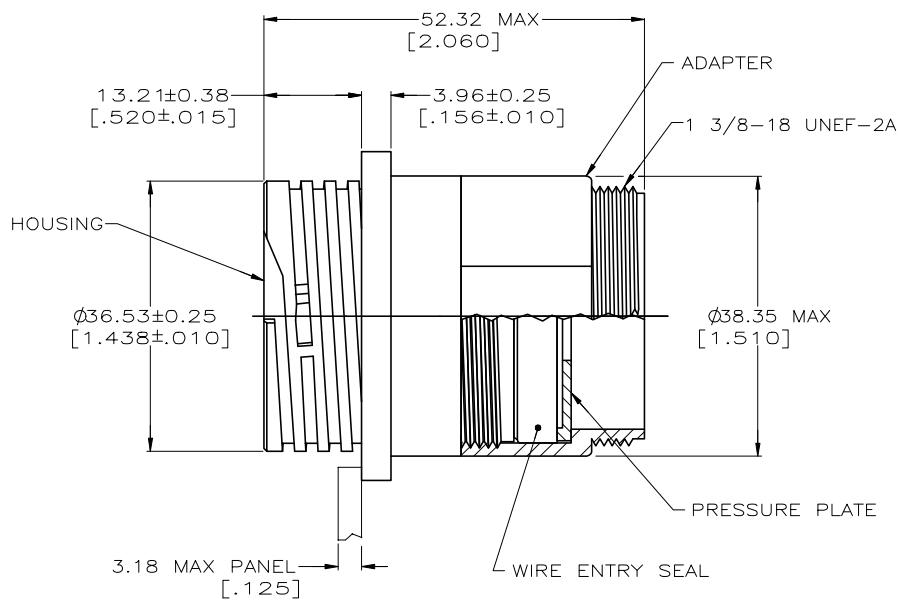
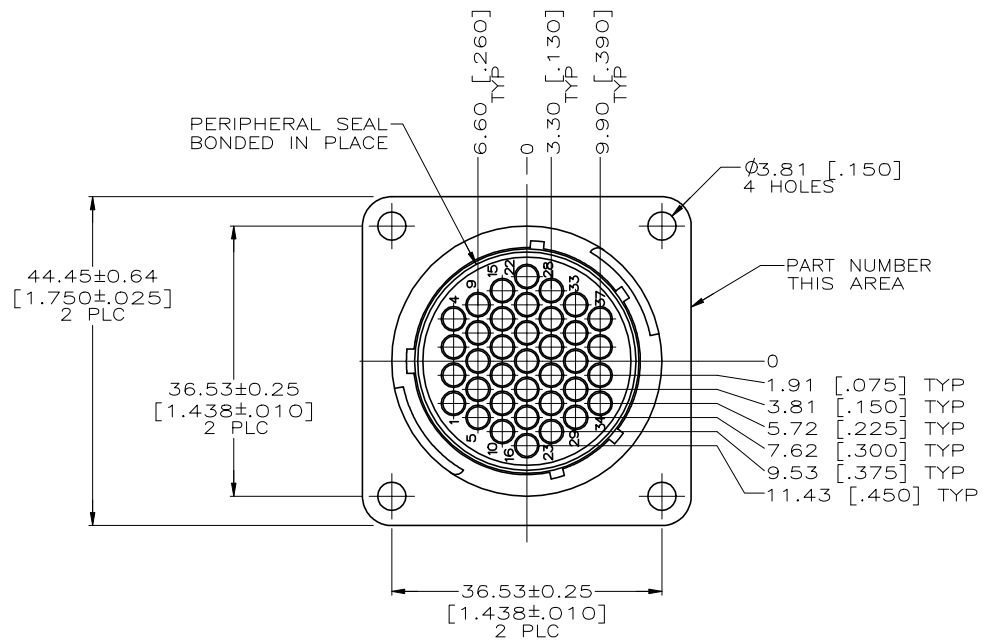


THIS DRAWING IS UNPUBLISHED. RELEASED FOR PUBLICATION  
 © COPYRIGHT - By - ALL RIGHTS RESERVED.

REVISIONS				
#	LTR	DESCRIPTION	DATE	DNW APVD
B		REVISED PER ECO-11-019033	20SEP11	KH MZ
C		REVISED PER ECO-19-011232	06AUG2019	RS MZ



RECOMMENDED PANEL CUTOUT

- 1 ADAPTER AND HOUSING: NYLON, BLACK.  
WIRE ENTRY SEAL: ELASTOMER, RED-IRON OXIDE.  
PERIPHERAL SEAL: ELASTOMER, BLACK.
- 2. CONNECTOR WILL ACCEPT (37) MULTIMATE PIN CONTACTS.
- 3 ORIENTATION HOLE USED IN THE MANUFACTURING PROCESS ONLY.  
THIS HOLE IS NOT INTENDED FOR WIRE INSERTION.

796286-1  
PART NUMBER

THIS DRAWING IS A CONTROLLED DOCUMENT.		DNW C.DORWART 11 NOV 98	TE Connectivity RCPT ASSEMBLY, SIZE 23-37, STANDARD SEX, SQUARE FLANGE, SEALED CIRCULAR PLASTIC CONNECTOR
DIMENSIONS: INCHES		CHK K.DOWHOWER 15NOV99	
TOLERANCES UNLESS OTHERWISE SPECIFIED: 0 PLC ± - 1 PLC ± - 2 PLC ± 0.1X(.005) 3 PLC ± - 4 PLC ± - ANGLES ± -		APVD K.DOWHOWER 15NOV99	NAME PRODUCT SPEC 108-1579 APPLICATION SPEC
MATERIAL 1	FINISH -	WEIGHT -	SIZE A1 CAGE CODE 00779 DRAWING NO C=796286 RESTRICTED TO CUSTOMER DRAWING
SCALE 2:1		SHEET 1 OF 1 REV C	