



## Directional 20 dB SMA Coupler From 2 GHz to 18 GHz Rated to 50 Watts

### Couplers Technical Data Sheet

PE2CP000-20

#### Features

- Directional Coupler
- 2 to 18 GHz Frequency Range
- Coupling 20±1 dB
- Directivity > 12 dB
- VSWR < 1.5:1
- Max Power 50 Watts (CW)

#### Applications

- Test and Measurement
- Military Communications
- Commercial Communications
- Wireless Communications
- SATCOM

#### Description

Directional couplers are indispensable components for isolating, separating and combining signals. For example, they provide a simple way of sampling microwave signals. They also can make accurate attenuator measurements since reflections are eliminated. The PE2CP000-20 is a 20 dB directional coupler that operates from 2 to 18 GHz with 12 dB directivity minimum and 1.5:1 VSWR maximum. The package interface uses SMA female connectors, and is also RoHS compliant.

The PE2CP000-20 is part of Pasternack's family of directional/dual-directional couplers that offer coupling ratio up to 50 dB with excellent performance featuring high directivity, low insertion loss and VSWR. They are available in both narrow and broad bandwidths and can be used in a wide variety of applications including signal sampling, VSWR measurements, power combining and distribution.

#### Electrical Specifications

Description	Minimum	Typical	Maximum	Units
Frequency Range	2		18	GHz
Impedance		50		Ohms
Coupling		20 ±1		dB
Frequency Sensitivity			±1	dB
Insertion Loss		1		dB
Directivity	12			dB
Main Line VSWR			1.5:1	
Input Power (CW)			50	Watts

Electrical Specification Notes:  
Values at 25°C, sea level.

#### Mechanical Specifications

##### Size

Length	1.69 in [42.93 mm]
Width/Dia.	0.59 in [14.99 mm]
Height	0.43 in [10.92 mm]
Weight	0.0738 lbs [33.48 g]

Click the following link (or enter part number in "SEARCH" on website) to obtain additional part information including price, inventory and certifications: [Directional 20 dB SMA Coupler From 2 GHz to 18 GHz Rated to 50 Watts PE2CP000-20](#)



## Directional 20 dB SMA Coupler From 2 GHz to 18 GHz Rated to 50 Watts

### Couplers Technical Data Sheet

PE2CP000-20

#### Configuration

Package Type	Connectorized
Input Connector	SMA Female
Output Connector	SMA Female
Coupled Connectors	SMA Female

#### Environmental Specifications

##### Temperature

Operating Range	-55 to +85 deg C
Storage Range	-55 to +100 deg C

#### Compliance Certifications (see [product page](#) for current document)

#### Plotted and Other Data

Notes:

Directional 20 dB SMA Coupler From 2 GHz to 18 GHz Rated to 50 Watts from Pasternack Enterprises has same day shipment for domestic and International orders. Our RF, microwave and millimeter wave products maintain a 99.4% availability and are part of the broadest selection in the industry.

Click the following link (or enter part number in "SEARCH" on website) to obtain additional part information including price, inventory and certifications: [Directional 20 dB SMA Coupler From 2 GHz to 18 GHz Rated to 50 Watts PE2CP000-20](#)

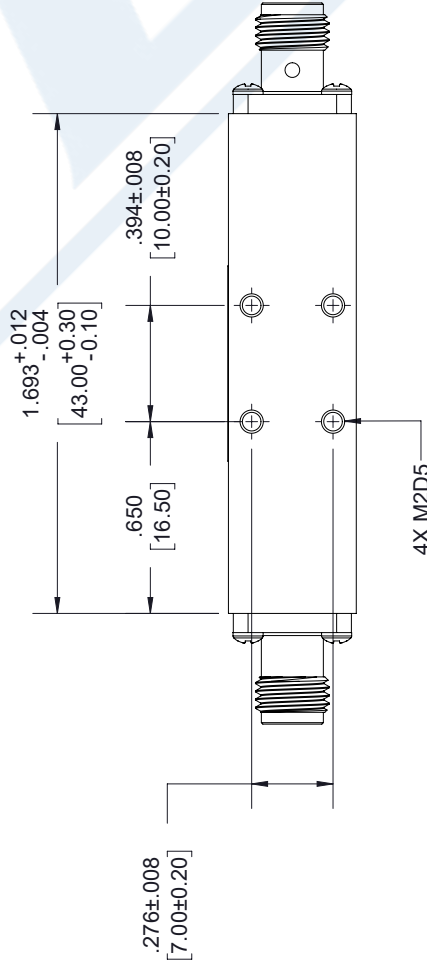
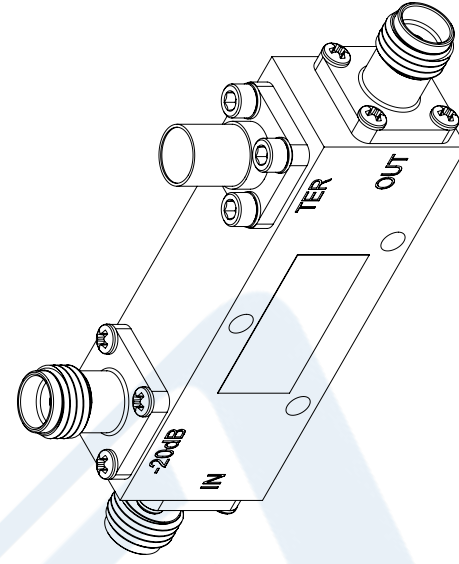
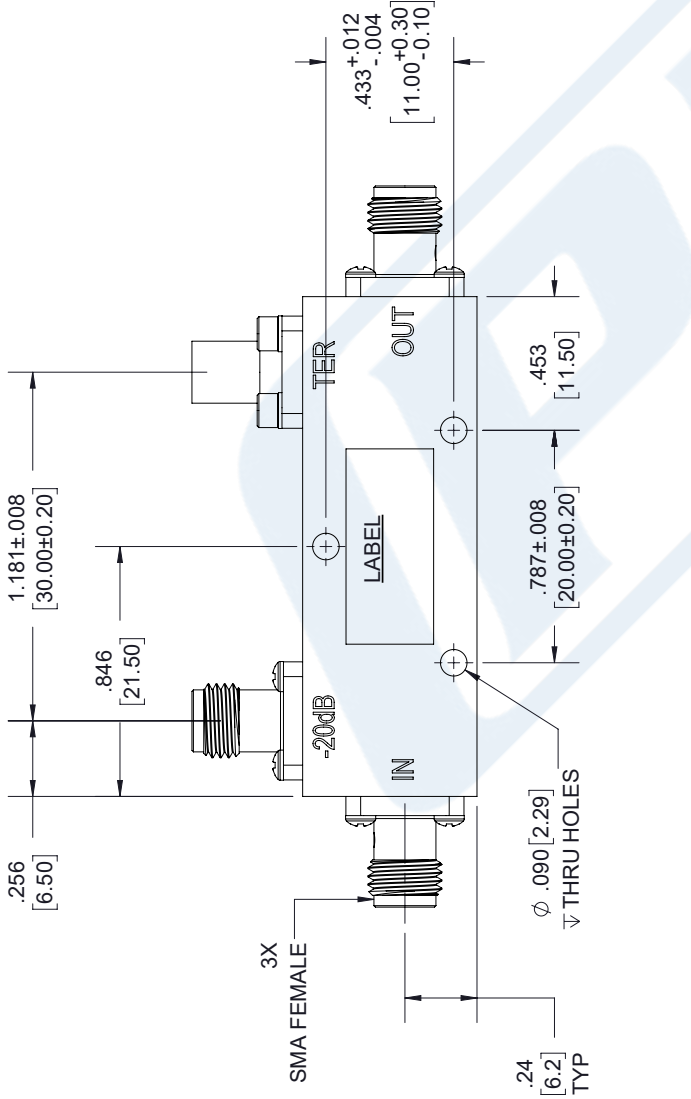
URL: <https://www.pasternack.com/directional-20-db-sma-coupler-18-ghz-pe2cp000-20-p.aspx>

The information contained in this document is accurate to the best of our knowledge and representative of the part described herein. It may be necessary to make modifications to the part and/or the documentation of the part, in order to implement improvements. Pasternack reserves the right to make such changes as required. Unless otherwise stated, all specifications are nominal. Pasternack does not make any representation or warranty regarding the suitability of the part described herein for any particular purpose, and Pasternack does not assume any liability arising out of the use of any part or documentation.

# PE2CP000-20 CAD Drawing

Directional 20 dB SMA Coupler From 2 GHz to 18 GHz Rated to 50 Watts

REVISIONS			
REV.	DESCRIPTION	DATE	APPROVED
1.1	PCR PE2CP000-XX 20190429	04/30/19	S.PONG



<p>UNLESS OTHERWISE SPECIFIED LEADING DIMENSIONS ARE INCHES DIMENSIONS IN [ ] ARE MILLIMETERS</p> <p>TOLERANCES:</p> <table border="0"> <tr> <td>X±.2</td> <td>[5.08]</td> <td>FRACTIONS</td> </tr> <tr> <td>.XX±.01</td> <td>[.25]</td> <td>±.132</td> </tr> <tr> <td>.XXX±.005</td> <td>[.13]</td> <td>ANGLES ± 1°</td> </tr> </table> <p>ALL DIMENSIONS SHOWN ARE FOR REFERENCE ONLY.</p> <p>THIRD-ANGLE PROJECTION</p>		X±.2	[5.08]	FRACTIONS	.XX±.01	[.25]	±.132	.XXX±.005	[.13]	ANGLES ± 1°	<p>THE INFORMATION AND DESIGN IN THIS DOCUMENT IS THE PROPERTY OF PASTERNAK CORPORATION. ALL RIGHTS RESERVED.</p> <p>SHEET 1 OF 1</p> <p>SCALE N/A</p>	
X±.2	[5.08]	FRACTIONS										
.XX±.01	[.25]	±.132										
.XXX±.005	[.13]	ANGLES ± 1°										
<p><b>PE PASTERNAK</b> an INFINITO brand</p> <p>Pasternack Enterprises, Inc. P.O. Box 16759, Irvine, CA 92623. Phone: 1.949.261.1920   1.866.727.8376 Fax: 1.949.261.7451 www.pasternack.com   e-mail: sales@pasternack.com</p>		<p>REV 1.1</p>										
<p>SIZE A</p>	<p>CAGE DRAWN BY K.DANG</p>	<p>PART NUMBER PE2CP000-20</p>	<p>REV 1.1</p>									

**LABEL:**  
**PASTERNAK**  
**PE2CP000-20**  
 SN: XXXXXXXXX

THESE COMMODITIES, TECHNOLOGY OR SOFTWARE WERE EXPORTED FROM THE UNITED STATES IN ACCORDANCE WITH THE EXPORT ADMINISTRATION REGULATIONS. DIVERSION CONTRARY TO U.S. LAW PROHIBITED.