

THIS DRAWING IS UNPUBLISHED. RELEASED FOR PUBLICATION
 © COPYRIGHT BY TYCO ELECTRONICS CORPORATION. ALL RIGHTS RESERVED.

LOC	DIST	REVISIONS					
GP	00	P	LTR	DESCRIPTION	DATE	DWN	APVD
			A	NEW RELEASE	5MAR07	RG	DO

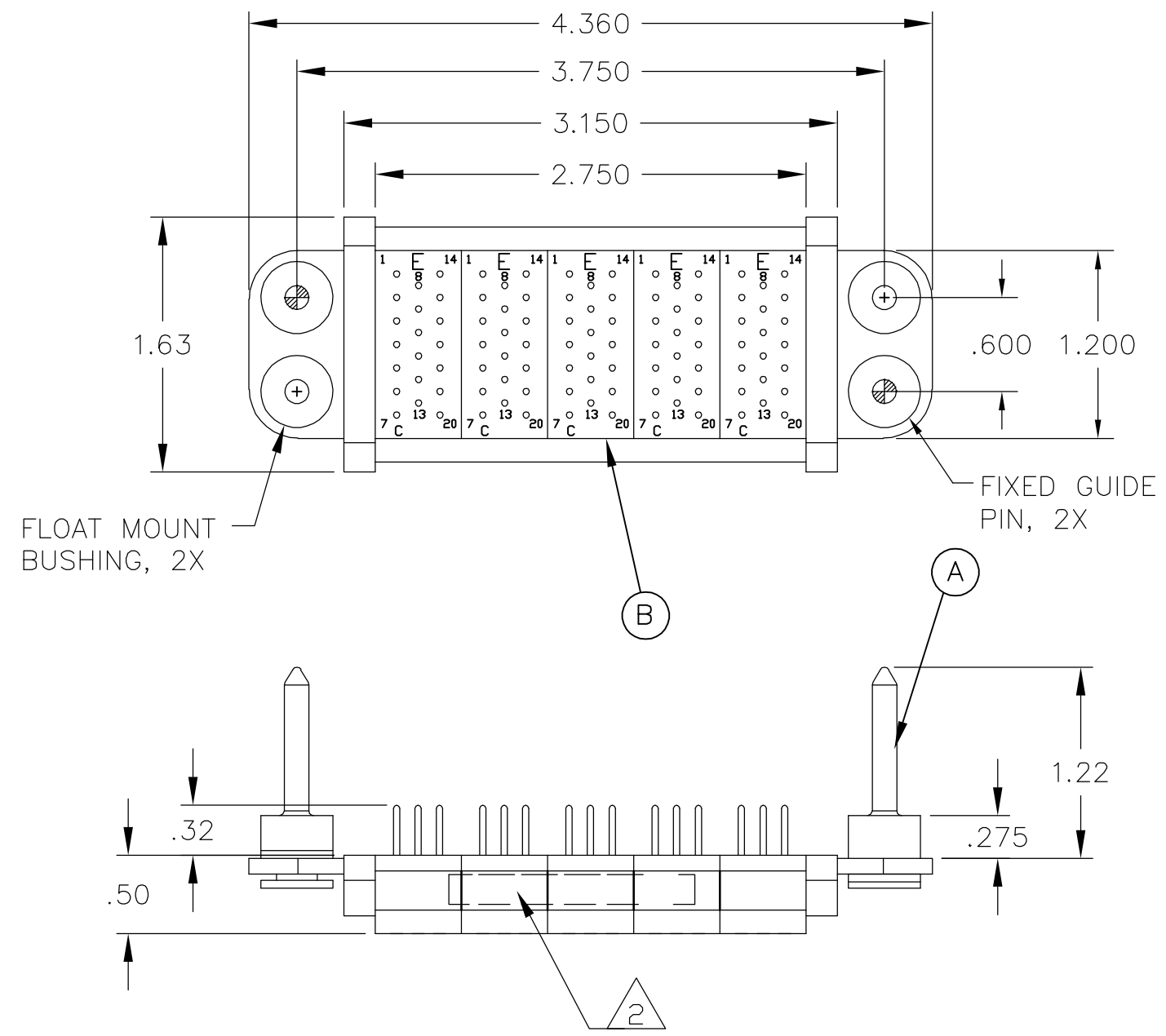
1. PART NUMBER CHANGES AND/OR DESIGN CHANGES AFFECTING ITEM INTERCHANGEABILITY REQUIRE PRIOR TYCO APPROVAL AND AUTHORIZATION BY REVISION TO THIS DRAWING.

2. ITEMS PROVIDED TO THIS SPECIFICATION TO BE PERMANENTLY IDENTIFIED PER THE FOLLOWING IDENTIFIER:

YEAR WEEK
 TYCO PART NUMBER DATE CODE (e.g. 0212)
 XXXXXXXX-X XXXX

3. MODULES NOTED ARE CRIMP REMOVABLE STYLE. REMOVABLE CONTACTS (ITEM C) WILL BE PACKAGED AND SHIPPED LOOSE WITH THE CONNECTOR ASSEMBLY.

4. MOUNTING FLANGE BUSHINGS ACCEPT 6/32 SCREW (.156 DIA. CLEARANCE HOLE, FLOAT MOUNT) OR 8/32 SCREW (.173 DIA. CLEARANCE HOLE, FLOAT MOUNT), USER SUPPLIED.

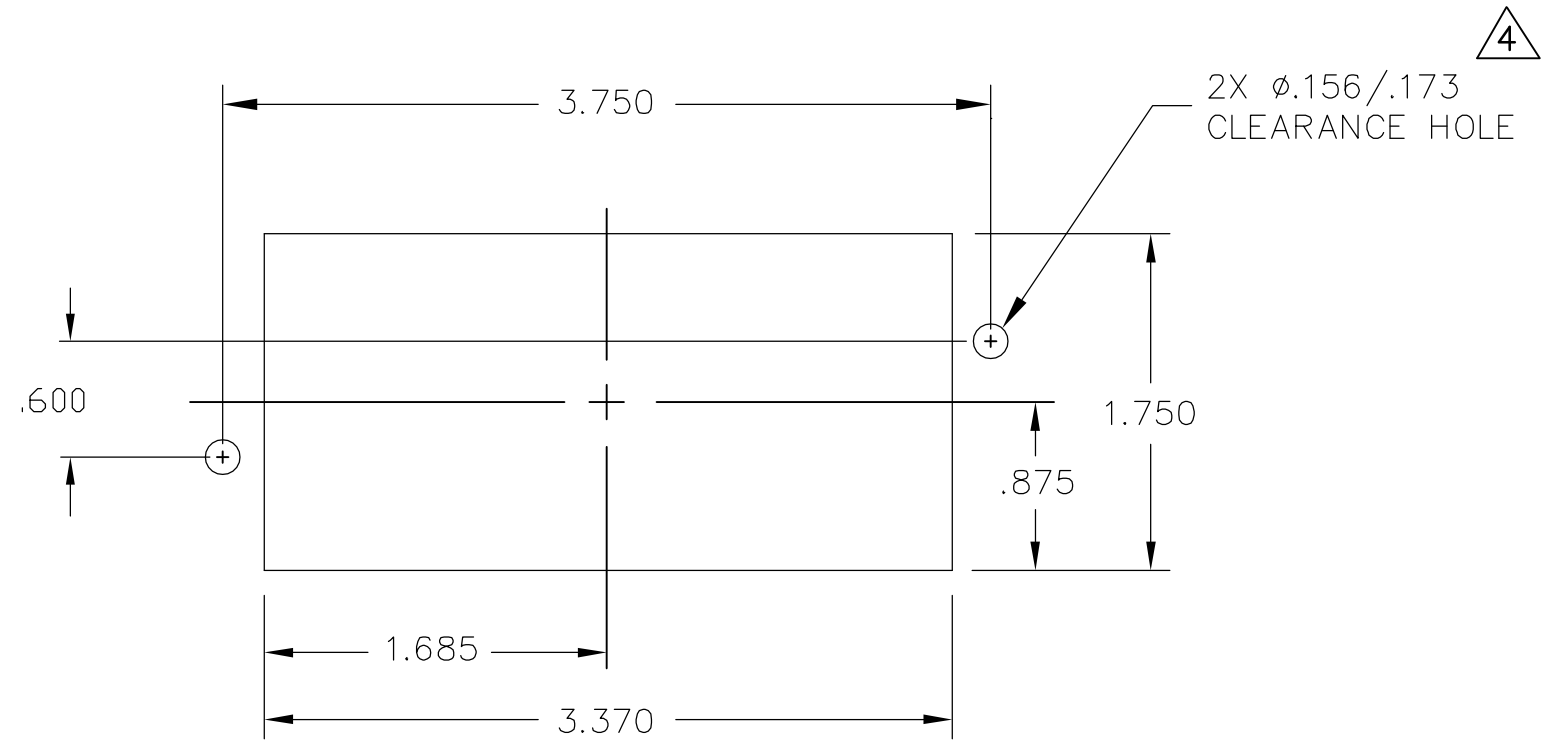


3	100	1650155-1	PIN CONTACT, SIZE #20, CRIMP	C
	5	1648463-1	MODULE C	B
	2	6648251-1	END CAP, GUIDE PIN, FLOAT	A
	-1	PART NUMBER	DESCRIPTION	ITEM

THIS DRAWING IS A CONTROLLED DOCUMENT.		DWN R.GRZYBOWSKI 05MAR2007	Tyco Electronics Corporation Harrisburg, PA 17105-3608	
DIMENSIONS: INCHES		CHK D.ORRIS 5MAR07	NAME S.FLICKINGER	
TOLERANCES UNLESS OTHERWISE SPECIFIED:		APVD S.FLICKINGER 5MAR07	PRODUCT SPEC -	
0 PLC ± - 1 PLC ± - 2 PLC ± .02 3 PLC ± .010 4 PLC ± - ANGLES ± 5		APPLICATION SPEC -	PIN CONNECTOR DOMINO W/ PANEL CUT-OUT	
MATERIAL -	FINISH -	WEIGHT -	SIZE A3	CAGE CODE 00779
CUSTOMER DRAWING			DRAWING NO C=6646164	RESTRICTED TO -
			SCALE 1:1	SHEET 1 OF 2
			REV A	

THIS DRAWING IS UNPUBLISHED. RELEASED FOR PUBLICATION
 © COPYRIGHT - BY TYCO ELECTRONICS CORPORATION. ALL RIGHTS RESERVED.

LOC	DIST	REVISIONS					
GP	00	P	LTR	DESCRIPTION	DATE	DWN	APVD
		-		SEE SHEET 1	-	-	-



PIN PANEL MOUNT CUTOUT
 SCALE: NONE

THIS DRAWING IS A CONTROLLED DOCUMENT.		DWN	R.GRZYBOWSKI	05MAR2007	Tyco Electronics Corporation Harrisburg, PA 17105-3608		
DIMENSIONS: INCHES		CHK	D.ORRIS	5MAR07	NAME		
		APVD	S.FLICKINGER	5MAR07	PIN CONNECTOR DOMINO W/ PANEL CUT-OUT		
TOLERANCES UNLESS OTHERWISE SPECIFIED:		PRODUCT SPEC	-				
0 PLC ± -		APPLICATION SPEC	-				
1 PLC ± -		WEIGHT	-				
2 PLC ± .02		SIZE	A3	CAGE CODE	00779	DRAWING NO	C-6646164
3 PLC ± .010		CUSTOMER DRAWING		SCALE	1:1	SHEET	2 OF 2
4 PLC ± -		-		RESTRICTED TO	-		
ANGLES ± 5		-		REV	A		
MATERIAL		-					
FINISH		-					