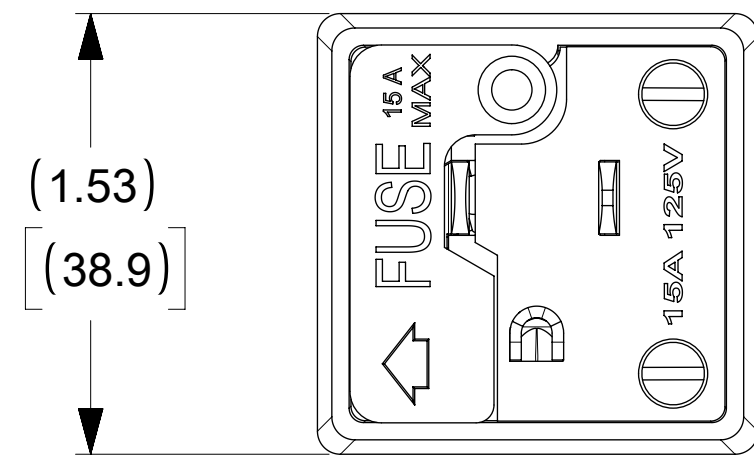
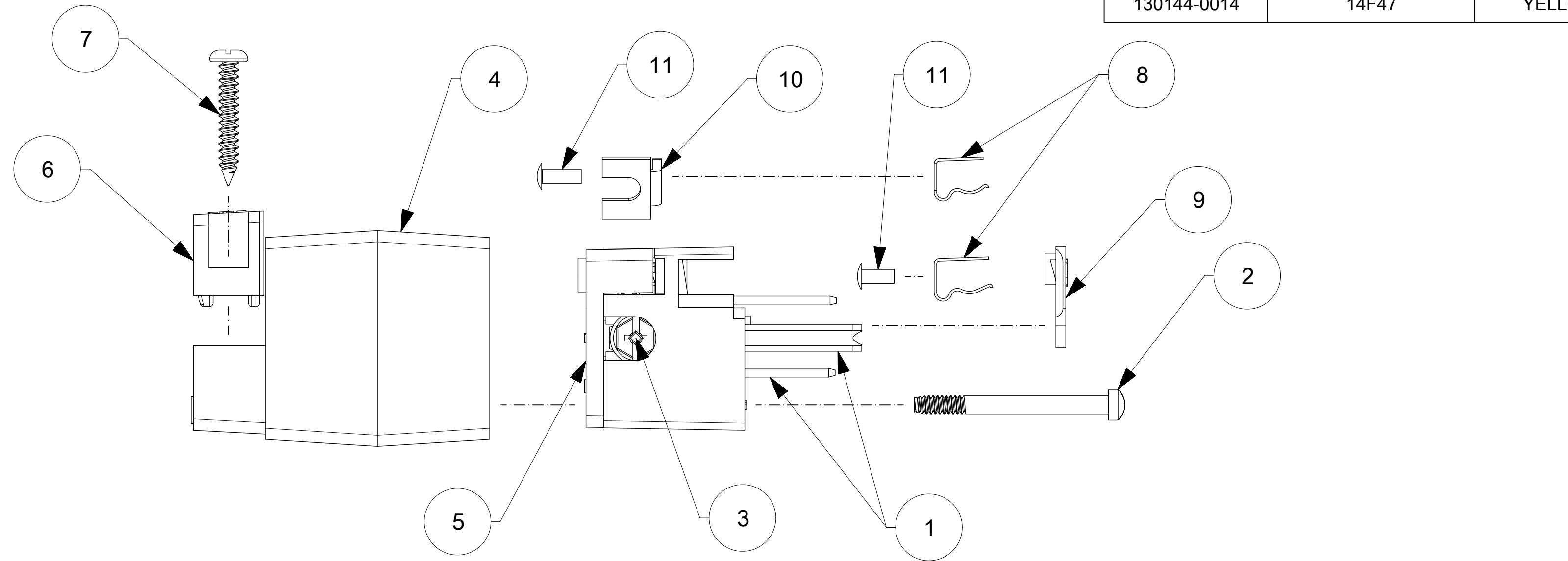
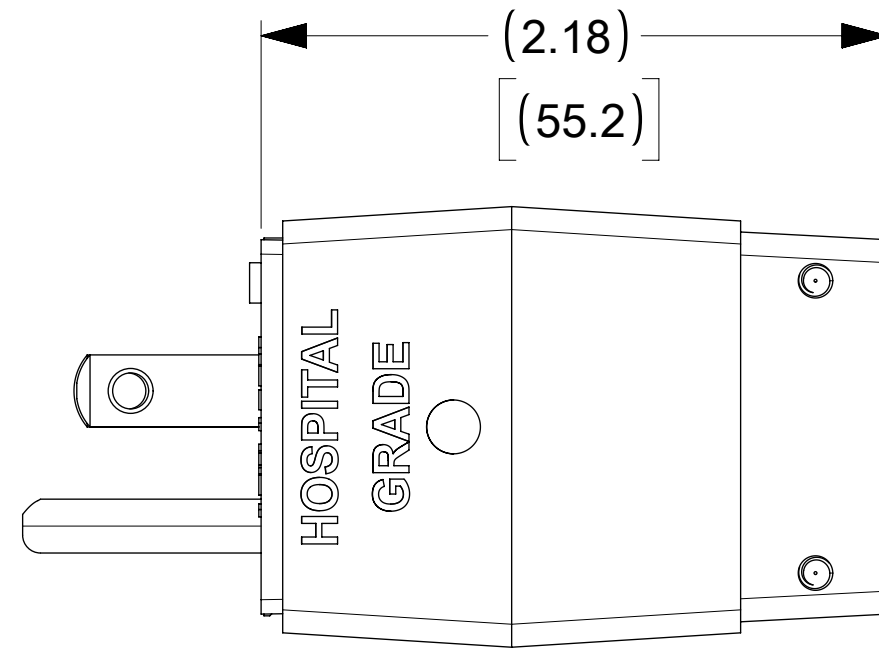


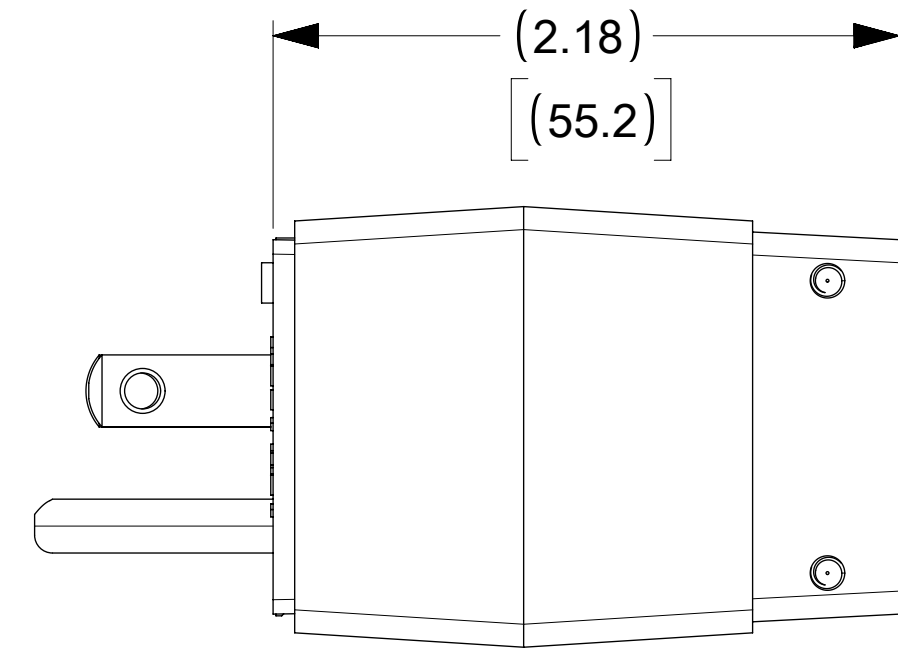
ORDER NO.	WOODHEAD NO.	COLOR	GRADE
130144-0077	85125	TRANSPARENT	HOSPITAL
130144-0014	14F47	YELLOW	STANDARD



FRONT VIEW



SIDE VIEW  
(130144-0077/85125)



SIDE VIEW  
(130144-0014/14F47)

ITEM NO.	DESCRIPTIONS	MATERIAL	QTY.
1	BLADES	BRASS	3
2	RETAINING SCREWS	STAINLESS STEEL	2
3	TERMINAL SCREWS/CLAMP ASSEMBLY	BRASS, ZINC PLATED	3
4	FUSED PLUG COVER	NYLON	1
5	FUSED PLUG TERM COVER	NYLON	1
6	CORD CLAMP	NYLON	1
7	PAN HD SCREWS	STAINLESS STEEL	2
8	FUSE HOLDER	NICKEL	2
9	FUSE COVER	NYLON	1
10	SADDLE CLAMP	BRASS	1
11	RIVETS	BRASS	2

<b>SYMBOLS</b> DIMENSION UNITS: INCH[MM] SCALE: NTS GENERAL TOLERANCES (UNLESS SPECIFIED): 4 PLACES: ± 3 PLACES: ± 2 PLACES: ± 1 PLACE: ± 0 PLACES: ± ANGULAR TOL: ± ° DRAFT WHERE APPLICABLE MUST REMAIN WITHIN DIMENSIONS THIRD ANGLE PROJECTION DRAWING SERIES: C-SIZE 130144	THIS DRAWING CONTAINS INFORMATION THAT IS PROPRIETARY TO MOLEX ELECTRONIC TECHNOLOGIES, LLC AND SHOULD NOT BE USED WITHOUT WRITTEN PERMISSION CURRENT REV DESC: NEW RELEASE EC NO: 626918 DRWN: VBASUTHKARP 2019/05/17 CHK'D: DNGUYEN62 2019/12/02 APPR: HKNEELAND 2020/01/13 INITIAL REVISION: DRWN: VBASUTHKARP 2019/05/17 APPR: HKNEELAND 2020/01/13			 FUSED GROUNDING PLUG 2P3W 5-15 PRODUCT CUSTOMER DRAWING		
	DOCUMENT NUMBER: 1301440077 DOC TYPE: PSD DOC PART: 000 REVISION: A					
	MATERIAL NUMBER: SEE TABLE CUSTOMER: GENERAL MARKET SHEET NUMBER: 1 OF 1					