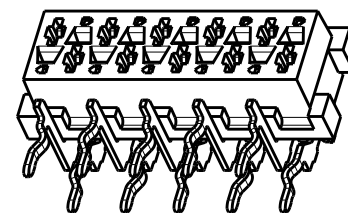
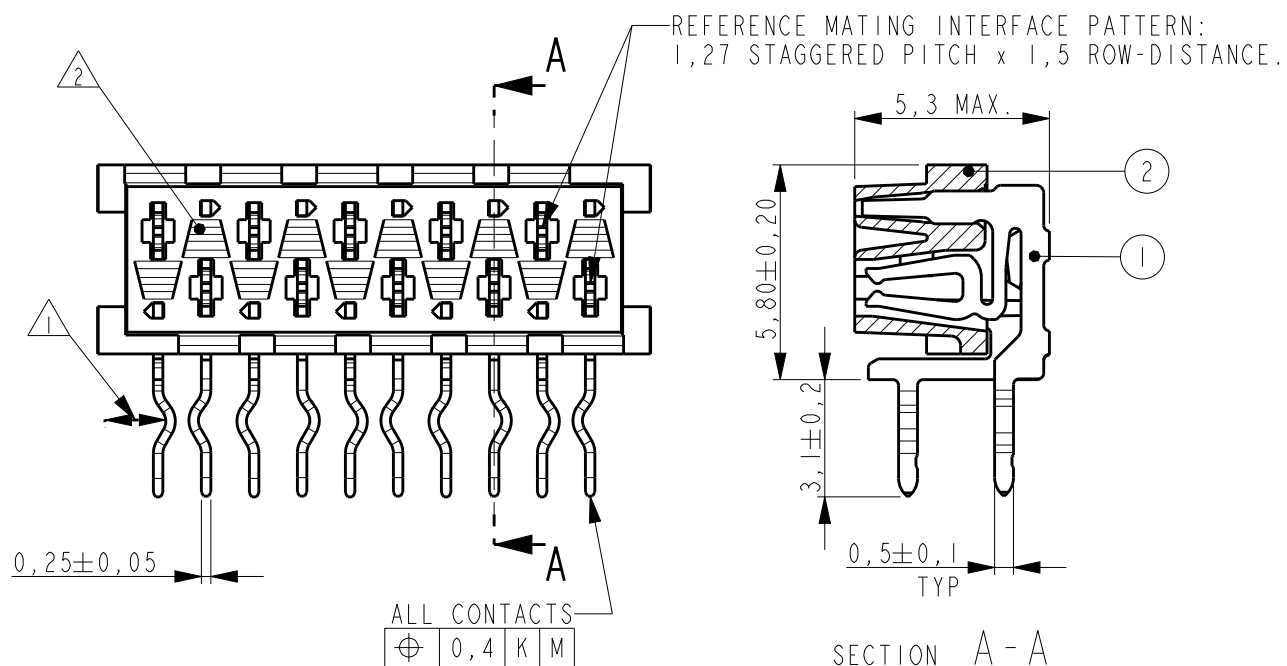


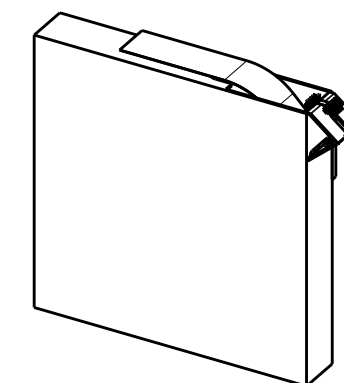
THIS DRAWING IS UNPUBLISHED. RELEASED FOR PUBLICATION 20
 © COPYRIGHT 20 BY - ALL RIGHTS RESERVED.

REVISIONS

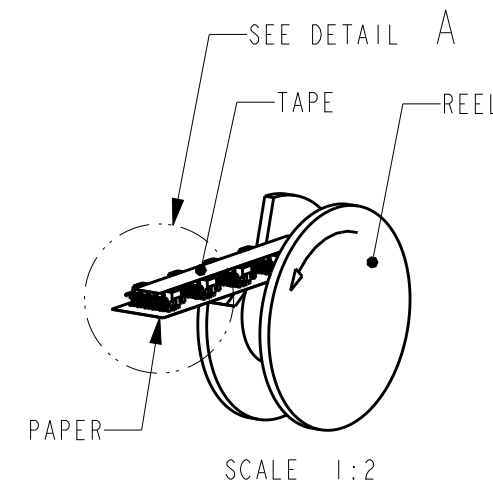
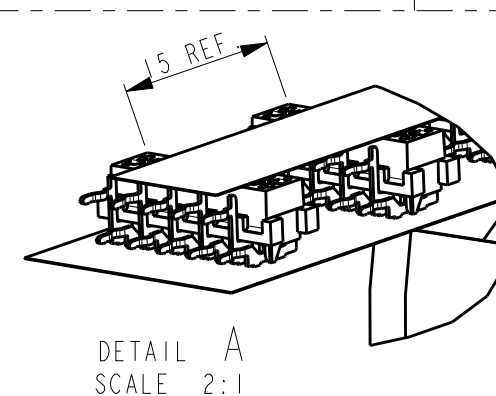
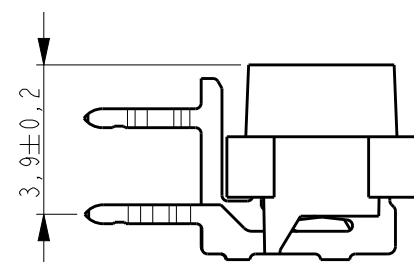
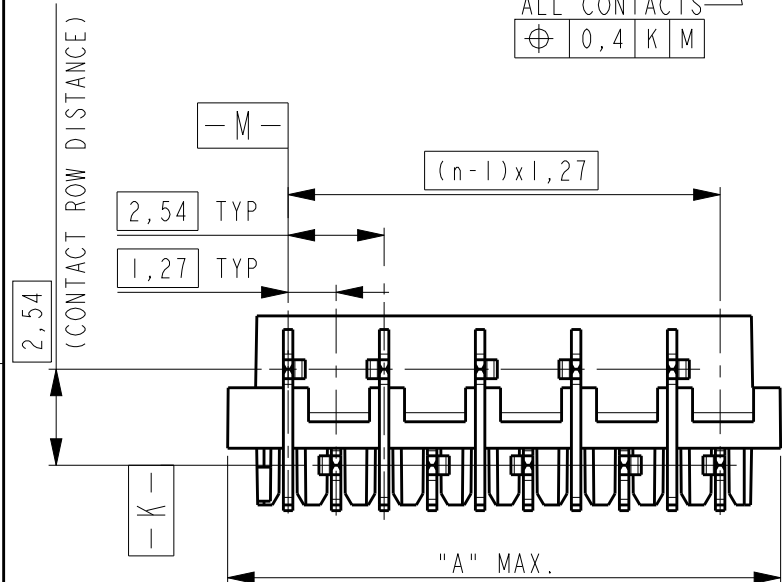
P	LTR	DESCRIPTION	DATE	DWN	APVD
	J1	Adhesive tape width changed back to 6 mm	05FEB2016	SS	PS



PART NUMBER BOX PACKAGING	PART NUMBER REEL PACKAGING	NR OF POS "n"	"A" MAX
7-100400-4	0-100400-4	4	7.1
7-100400-6	0-100400-6	6	9.7
7-100400-8	0-100400-8	8	12.2
8-100400-0	1-100400-0	10	14.7
8-100400-2	1-100400-2	12	17.3
8-100400-4	1-100400-4	14	19.8
8-100400-6	1-100400-6	16	22.4
8-100400-8	1-100400-8	18	24.9
9-100400-0	2-100400-0	20	27.4



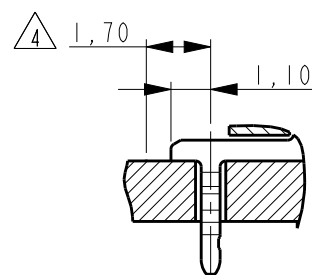
BOX PACKAGING:
250 CONNECTORS PER BOX
FOR ALL PARTNUMBERS



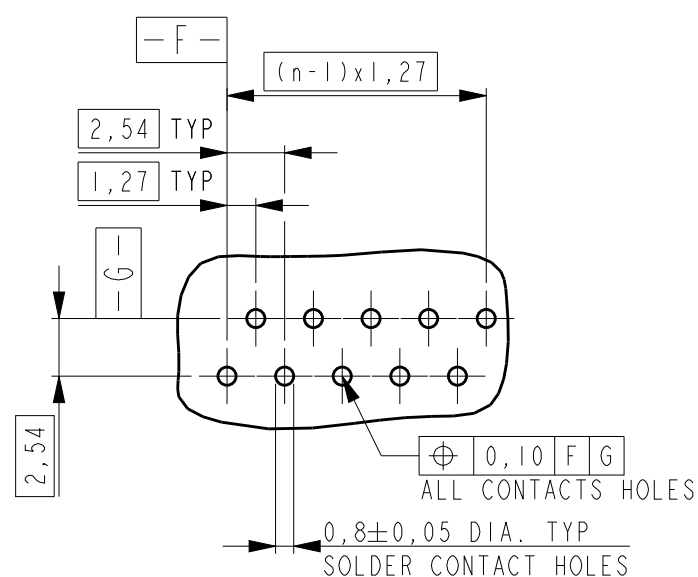
REEL PACKAGING
DEREELING DIRECTION AND CONNECTOR POSITION.
QUANTITY 2500 CONNECTORS PER REEL FOR ALL PARTNUMBERS,

NOTES:

- 1 IN EACH ROW, DIRECTION OF KINKS STARTS RANDOM. IN EACH ROW, SEQUENTIAL CONTACTS HAVE OPPOSITE KINK DIRECTIONS.
- 2 CORING-OUTS FOR MANUFACTURING PURPOSE ONLY. SHAPE MAY VARY, BUT IS NOT FUNCTIONAL FOR THE APPLICATION.
- 3 SHOWN IS A 10 POSITION CONNECTOR.
- 4 THIS AREA IS RESERVED FOR CONTACTS.



PC-BOARD HOLE LAYOUT
(COMPONENT SIDE OF BOARD SHOWN)



THIS DRAWING IS A CONTROLLED DOCUMENT.

DIMENSIONS:		TOLERANCES UNLESS OTHERWISE SPECIFIED:	
mm			
0 PLC	±-		
1 PLC	±-		
2 PLC	±-		
3 PLC	±-		
4 PLC	±-		
ANGLES	±°		
MATERIAL	SEE TABLE	FINISH	SEE TABLE

ITEM NO.	DESCRIPTION	MATERIAL	FINISH / COLOR
2	HOUSING	G.F. POLYESTER PBT	RED
1	FEMALE CONTACT	PHOSPHOR BRONZE	TIN OVER NICKEL

DWN J.V. DREUMEL 29OCT1991
 CHK H. KOKKEN 29OCT1991
 APVD -
 PRODUCT SPEC 108-19052
 APPLICATION SPEC -
 WEIGHT -

NAME
CONNECTOR, FEMALE-ON-BOARD
SIDE-ENTRY, THRU-HOLE,
W/O POLARIZATION, Micro-MatCh

SIZE A3 CAGE CODE 00779 DRAWING NO C-100400 RESTRICTED TO -

CUSTOMER DRAWING SCALE 5:1 SHEET 1 OF 1 REV J1