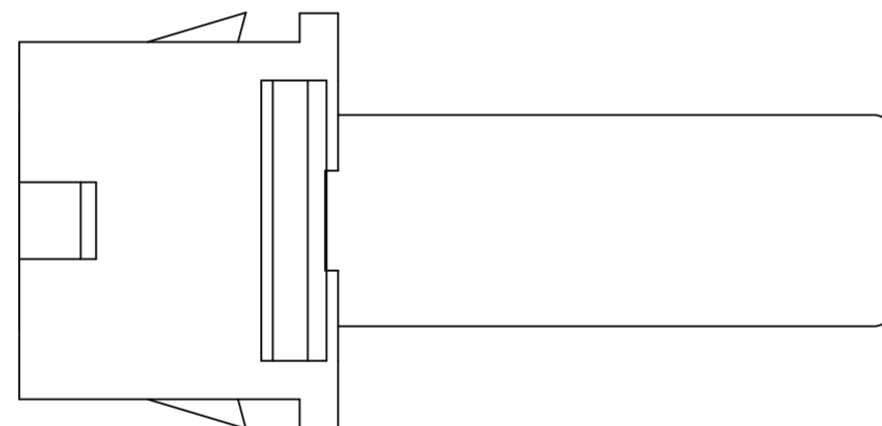
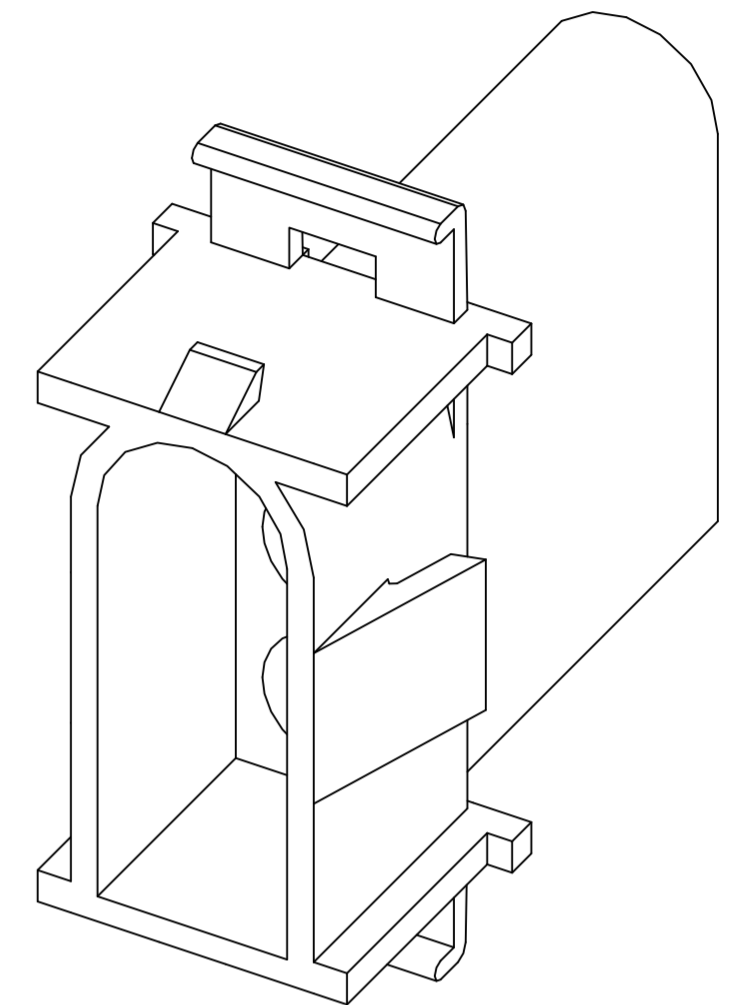
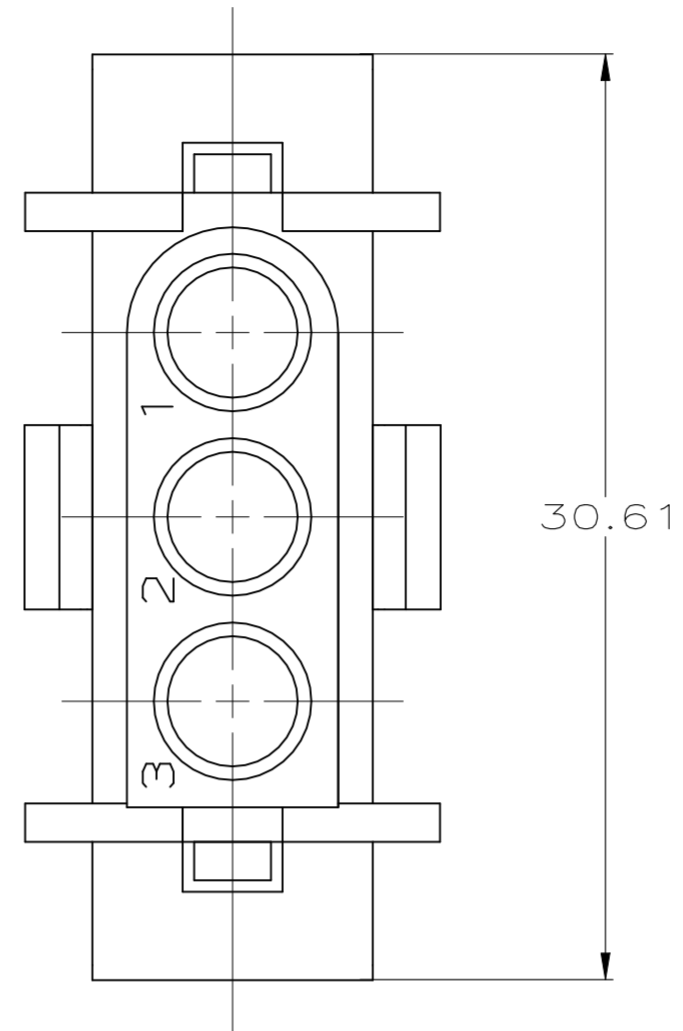
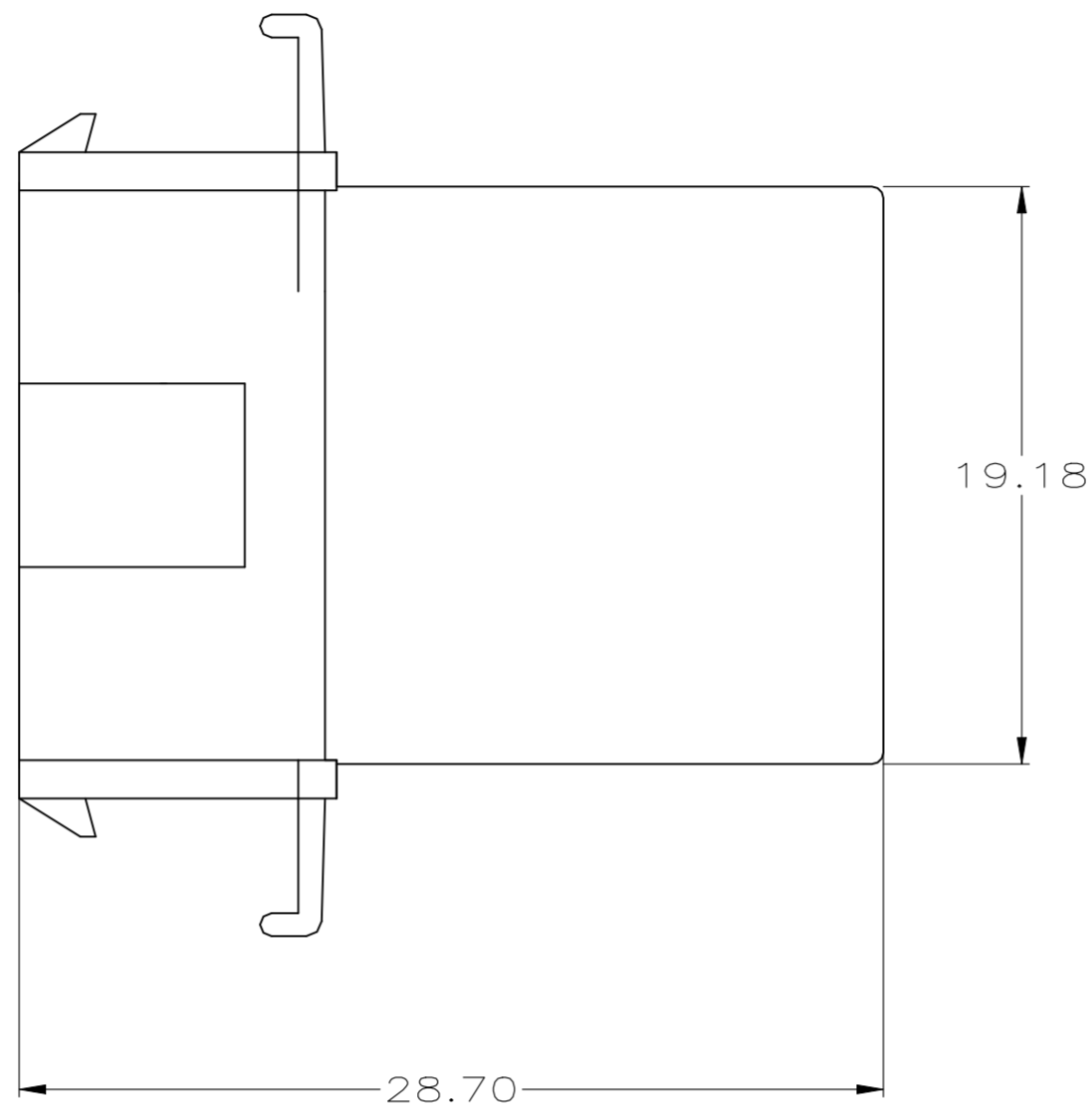
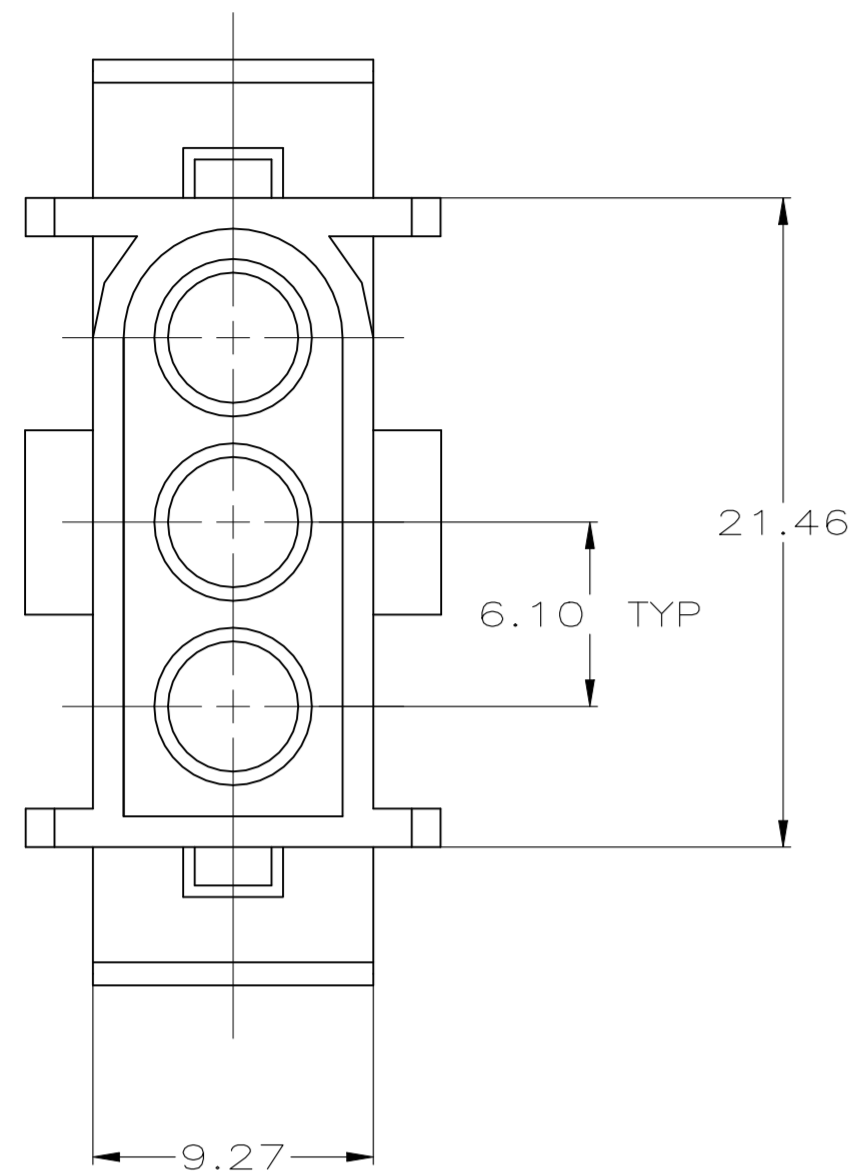
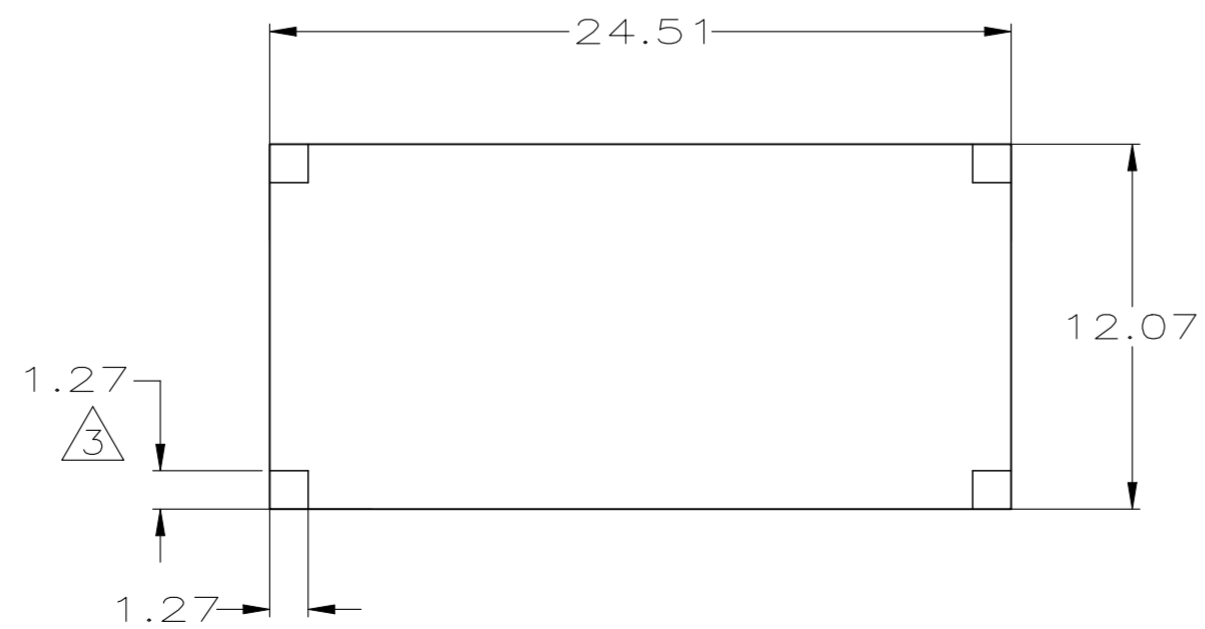


REVISIONS					
P	LTR	DESCRIPTION	DATE	DWN	APVD
A		REVISED PER ECN-23-205457	28MAR2023	WLS	VS



- 1. TO BE USED WITH .140 SERIES PINS.
- 2. TO BE USED WITH PLUG 794060.
- 3. 1.27 x 1.27 TABS IN CORNERS OF CUT-OUT ARE OPTIONAL TO REDUCE HOUSING FLOAT IN PANEL.



RECOMMENDED CUT OUT FOR  
0.76 - 1.65 THICK PANEL

# METRIC

3.56	.140	21.46	.845	-	-
1.65	.065	19.18	.755	-	-
1.27	.050	12.07	.475	30.61	1.205
0.76	.030	9.27	.365	28.70	1.130
0.13	.005	6.10	.240	24.51	.965
MM	IN	MM	IN	MM	IN

CONVERSION TABLE

THIS DRAWING IS A CONTROLLED DOCUMENT.		DWN K. WHITAKER 4-18-95	794061-1
DIMENSIONS: mm		CHK R. SWING 4-18-95	PART NUMBER
TOLERANCES UNLESS OTHERWISE SPECIFIED:		APVD C. MARTIN 4-25-95	NAME
0 PLC ± -		TE Connectivity	
1 PLC ± -		CAP, 3 CIRCUIT, .140 MATE-N-LOK TM	
2 PLC ± 0.13		SIZE CAGE CODE DRAWING NO	
3 PLC ± -		A2 00779 C=794061	
4 PLC ± -		RESTRICTED TO	
ANGLES ± 0° 30'		SCALE SHEET REV	
MATERIAL SEE TABLE	FINISH -	WEIGHT -	4:1 1 of 1 A
CUSTOMER DRAWING			