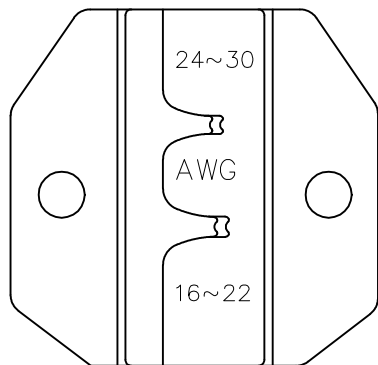


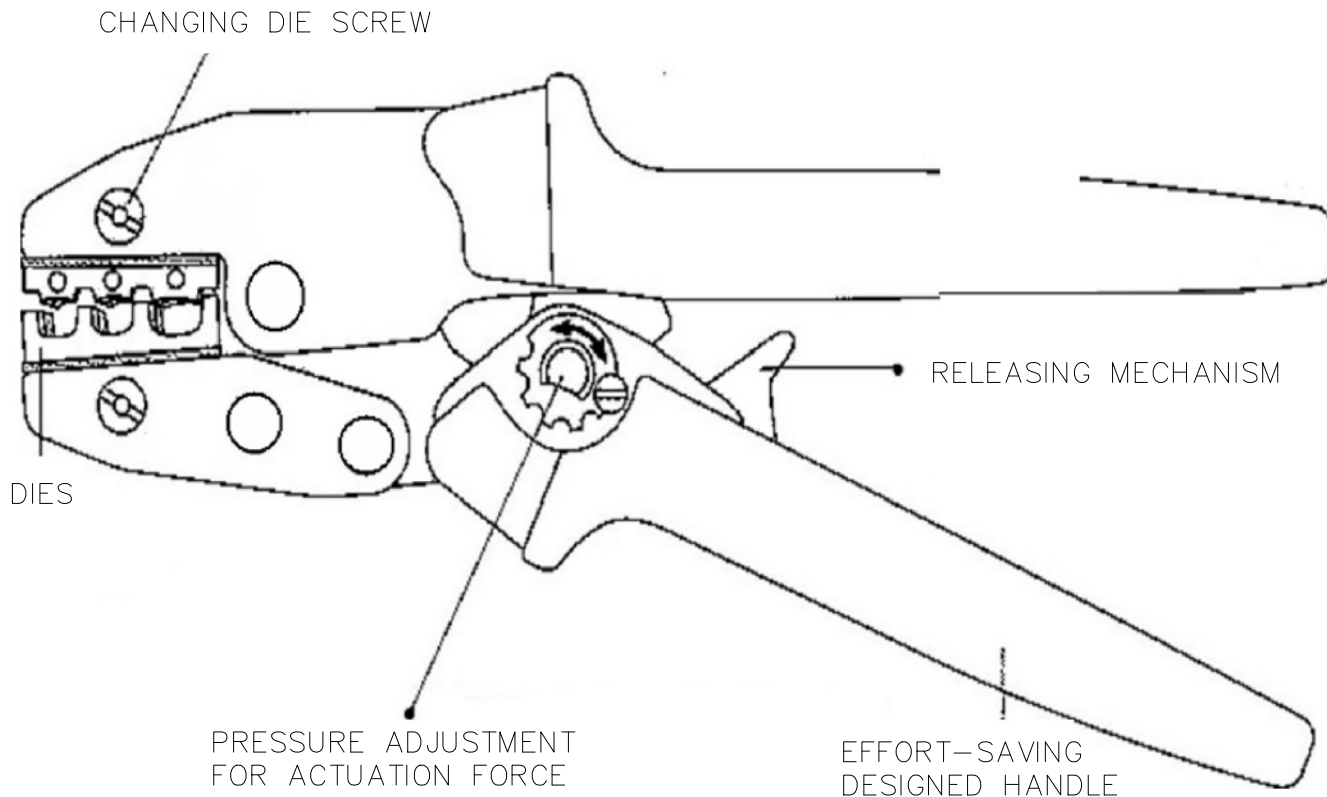


PRODUCT NUMBER

10129483-001LF



DIE USED FOR
AWG 16~30 WIRES



NOTE:

1. LENGTH 225mm.
2. CHANGABLE DIE FOR DIFFERENT APPLICATION.

mat'l. code		surface <input checked="" type="checkbox"/> tolerance		projection		product family	
ltr	ecn no	dr	date	tolerances unless otherwise specified		title	
A		TAI	2014-04-23	angles		RATCHED HAND CRIMPING TOOL	
B	ELX-N-26492	TONY	2017-03-29	linear			
				0±5°	scale	N.T.S.	
		dr	KENNY TAI	2014-03-20		dwg no	
		enr	KENNY TAI	2014-03-20		sheet 1 of 1	
		chr	KENNY TAI	2014-03-20		size	
		app	PM ZHENG	2014-03-20		A4	
sheet index	revision	B				type Product Customer Drawing	
	sheet	1					