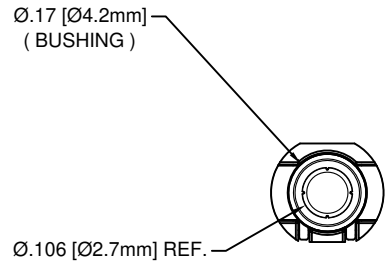
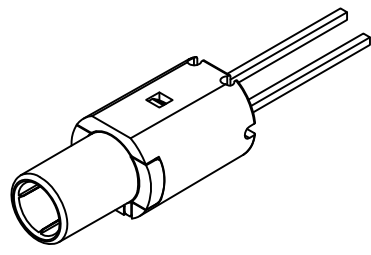
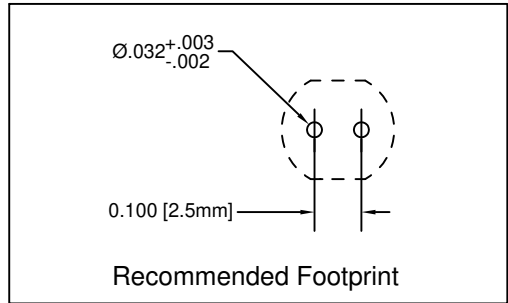
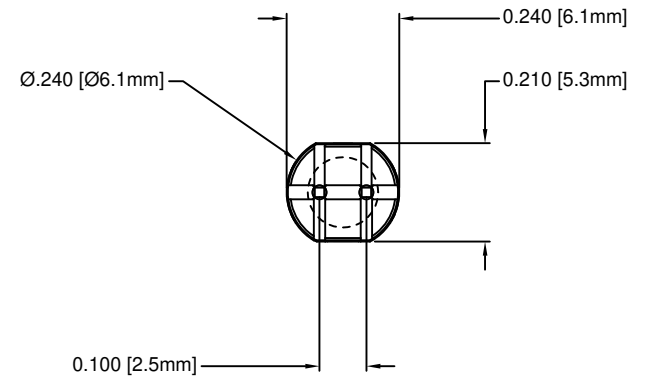
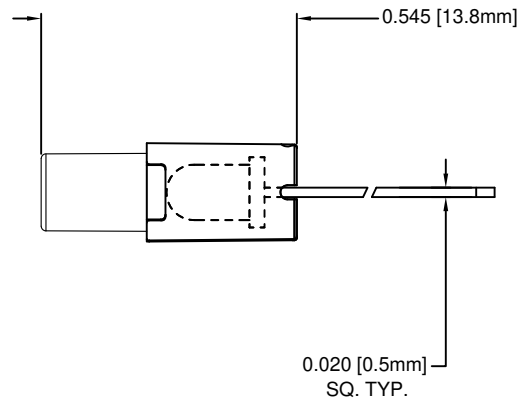


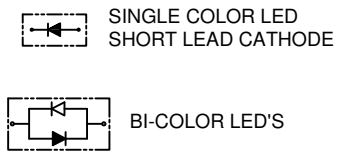
REV.	DESCRIPTION	DATE	APPROVED
A	Engineering Release	05/12/17	J. C.



( DESIGNED FOR  
BIVAR FLEXIBLE  
LIGHT PIPE CABLE  
FLPS2027 )



Part Number Configuration  
FLPV3-UR  
LED Color,  
See Page 2



SHORT LEAD CATHODE	LED PART NO.	LONG LEAD CATHODE
RED	3BCC-F	GREEN
RED	3SBCC-F	GREEN
YELLOW	3SBCC-Y/G-F	GREEN

NOTES:  
1. ROHS COMPLIANT  
2. ADAPTER DESIGNED FOR BIVAR FLEXIBLE LIGHT PIPE CABLE FLPS2027


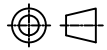
STANDARD TOLERANCE ( UNLESS OTHERWISE SPECIFIED )		 4 THOMAS, IRVINE, CA. 92618 TEL: (949) 951-8808 FAX: (949) 951-3974	
DECIMALS	ANGULAR		
.X ± .1	X° ± 1°	 <b>TITLE:</b> FLEXIBLE LIGHT PIPE ADAPTER, VERTICAL, W/LED	
.XX ± .02			
.XXX ± .010		<b>PART NO:</b> FLPV3-XXX <b>REVISION:</b> A	
DESIGNED: <b>TD. Nguyen</b>			
CHECKED: <b>K. Baron</b>		DATE: <b>04/30/17</b>	<b>CAGE CODE :</b> 32559 <b>SHEET #</b> 1 OF 2 <small>CAD GENERATED DOCUMENT, DO NOT MEASURE DRAWING.</small>

REV.	DESCRIPTION	DATE	APPROVED
	SEE SHEET #1		

Assy P/N	Emitted Color	Peak Wavelength $\lambda_p$ (nm)	Absolute Max. Ratings			LED Electro-Optical Data @ 20mA			LED P/N
			Pd (mW)	If (mA)	Peak If (mA)	Vf (V)		LED Iv (mcd)	
		TYP				TYP	MAX	TYP	
<b>SINGLE COLOR LED ASSEMBLIES (20mA)</b>									
FLPV3-SG	GREEN	568	80	30	150	2.1	2.8	50	3SGC-F
FLPV3-SY	YELLOW	590	85	30	150	2.0	2.8	50	3SYC-F
FLPV3-SR	RED	645	70	30	150	1.7	2.4	60	3SRC-F
FLPV3-UB	BLUE	470	150	25	70	4.0	4.5	400	3UBWC-0.6K-F
FLPV3-UG	GREEN	570	100	30	150	2.1	2.4	200	3UGC-F
FLPV3-UY	YELLOW	590	85	30	150	2.0	2.4	300	3UYC-F
FLPV3-UR	RED	645	60	30	150	1.7	2.4	200	3URC-F
<b>BI-COLOR LED ASSEMBLIES (20mA)</b>									
FLPV3-RG	RED	625	80	30	150	2.0	2.8	8	3BCC-F
	GREEN	568	80	30	150	2.1	2.8	8	
FLPV3-SRG	RED	645	70	30	150	1.7	2.4	100	3SBCC-F
	GREEN	568	80	30	150	2.1	2.8	60	
FLPV3-SYG	Yellow	585	85	20	160	2.1	2.4	15	3SBCC-Y/G-F
	GREEN	565	80	20	160	2.1	2.8	5	

## ABSOLUTE MAXIMUM RATINGS (Ta=25°C)

REVERSE VOLTAGE \_\_\_\_\_ 5V  
 REVERSE CURRENT \_\_\_\_\_ 100 $\mu$ A  
 OPERATING TEMPERATURE RANGE \_\_\_\_\_ -25°C ~ +85°C  
 STORAGE TEMPERATURE \_\_\_\_\_ -30°C ~ +100°C  
 LEAD SOLDERING TEMPERATURE(1/16" FROM BODY) \_\_\_\_\_ 260°C FOR 5 SECONDS

STANDARD TOLERANCE (UNLESS OTHERWISE SPECIFIED)		 4 THOMAS, IRVINE, CA. 92618 TEL: (949) 951-8808 FAX: (949) 951-3974		
DECIMALS	ANGULAR			
		TITLE: FLEXIBLE LIGHT PIPE ADAPTER, VERTICAL, W/LED		
		DESIGNED: <b>TD. Nguyen</b>	DATE: <b>04/30/17</b>	PART NO: FLPV3-XXX
CHECKED: <b>K. Baron</b>		DATE: <b>04/30/17</b>	CAGE CODE : 32559	SHEET # 2 OF 2
CAD GENERATED DOCUMENT, DO NOT MEASURE DRAWING.				