

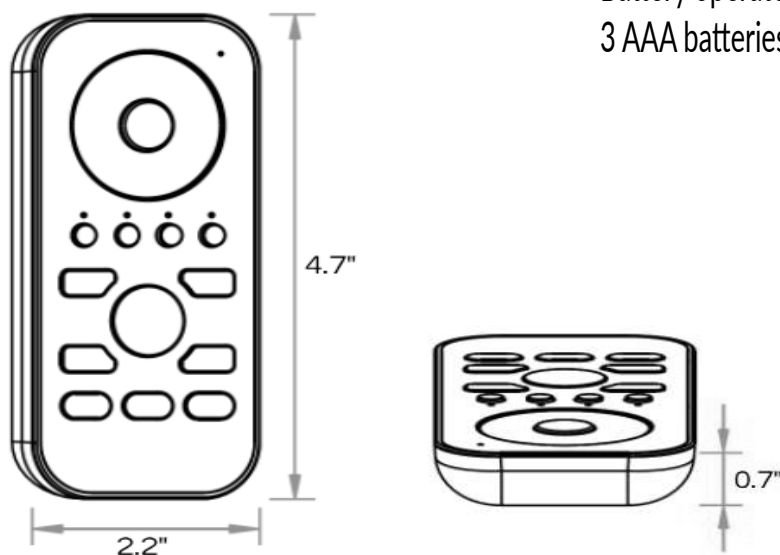
HANDHELD RGB LED CONTROLLER

SPECIFICATION:

Voltage/Battery	3 VDC (CR2032)
RF Frequency	433.92 MHz
Working Distance	up to 160ft from receiver
Operating Temp.	-4°F - 131°F
Weight	0.09 lb. (42g)
Mounting	Wall mount holder included
LED Tape Compatibility	Compatible with 12-24V DC LED Tapes
Protocol	RF Signal
Zones	4 Zones, 3 Scenes
Warranty	5 Year Limited
IP Rating	IP20 - dry locations only



DIMENSIONS



Battery operated.
3 AAA batteries not included.