

# CS13-00P20-03-1X

 Rev. 1-2021  
 RoHS3 & REACH  
 IP67 Front Face  
 Receiver Speakers

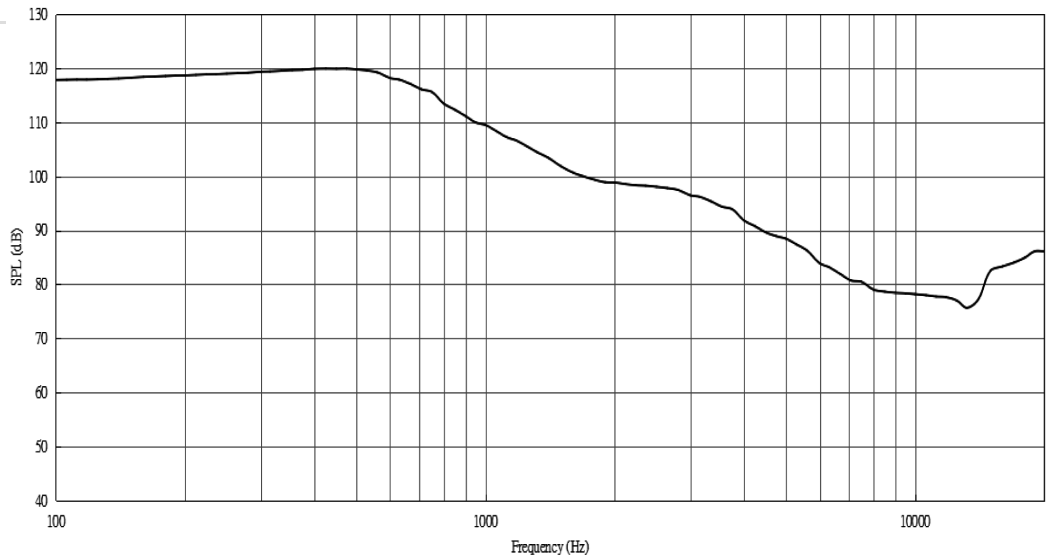

## Operating Characteristics

### ELECTRICAL

Rated Power	0.01 W
Short Term Max Power	0.02 W
Impedance	32 Ω ± 15 % 1000 Hz; 0.001 W

### ACOUSTIC: IEC-318 Artificial Ear

$f_0$	200 Hz ± 20 % 0.001 W
Freq. Range	20 to 20000 Hz
Rated SPL	110 ± 3 dB 1000 Hz; 0.001 W;
Distortion	Max 5 % 50 and 5000 Hz; 0.001 W



## Physical Characteristics

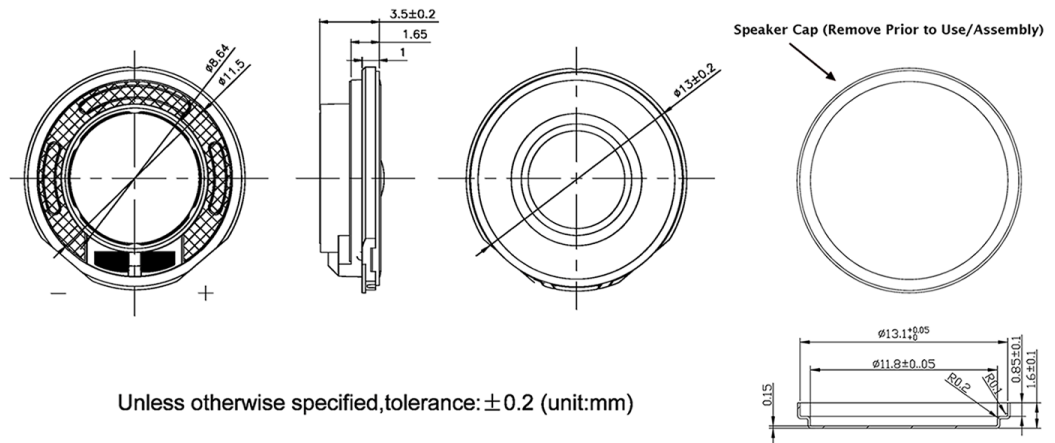
### MATERIALS

Housing	PPA
Cone	Copper Edged PEEK
Magnet	NdFeB
Solder Pads	Stainless Steel

### TEMPERATURE RANGES

Operating	-25 to +50 °C
Storage	-25 to +60 °C

Weight 0.8 g



All Measurements are mm unless noted otherwise.

Revision	Description	By	Date
0-2021	Original Specification	CT	2021-03-15
1-2021	Updated mechanical drawing. Updated form factor callout from Round Speaker to Receiver Speaker.	CT	2021-07-30

Warranty: For a period of one (1) year from date of shipping under normal operations conditions. This warranty does not apply to products damaged through misuse, abuse, improper installation, alteration, rework, or attempt to repair.

The information contained herein is believed to be correct, but no guarantee or warranty, express or implied, with respect to accuracy, completeness or results is extended and no liability is assumed. Challenge Electronics reserves the right to make changes in any specification, data or material contained herein.  
 ©2021 Challenge Electronics, Inc. Pub. 20210730154418