

Revision:	Date:	Description:	Prepared:	Notes:	<h1>TENSILITY</h1> tel 1.541.323.3228 800 877.670.7118 fax 1.541.323.4202 web tensility.com
A	3/11/2020	Initial release	AG <small>Digitally signed by AG Date: 2020.04.08 11:48:34 -07'00'</small>	RoHS compliant	
			Verified:	Function test: no open, no short circuit, no intermittent	Size: Part number: A 54-00178
			AW <small>Digitally signed by AW Date: 2020.04.08 12:15:46 -07'00'</small>	Description: Connector, 3C audio jack, 3.5xL14 mm, SMT mount, silver plated	
			Dimensions are in millimeters. Tolerances: X: ± 0.5 mm X.X: ± 0.2 mm X.XX: ± 0.2 mm		Scale: 3:1
					⊙ ◻
					Sheet 1 of 2

Ratings

Voltage: 48 V
Current: 0.5 A

Operating Temperature Range

-40 ~ 105°C, relative humidity of 85% or less

Materials

- ① #1 contact: phosphor bronze, silver plating
- ② #2 contact: phosphor bronze, silver plating
- ③ #3 contact: phosphor bronze, silver plating
- ④ #4 contact: phosphor bronze, silver plating
- ⑤ #5 contact: phosphor bronze, silver plating
- ⑥ #6 contact: phosphor bronze, silver plating
- ⑦ Housing: PA9T, black, UL 94 V-0

Electrical Requirements

Dielectric strength: 1 min @ 500 Vac
Insulation resistance: 100 MΩ @ 250 Vdc
Contact resistance: 30 mΩ or less at 1 KHz

Mechanical Requirements

Insertion force: 0.3-2 kgf
Withdrawal force: 0.3-2 kgf
Life cycle: 5000 mating cycles while maintaining 0.3 kgf min. insertion force, 0.2 kgf min. withdrawal force and less than 100 mΩ contact resistance
Terminal strength: 500 gf applied in one direction to the tip of the terminal for 1 second without mechanical or electrical damage

Soldering

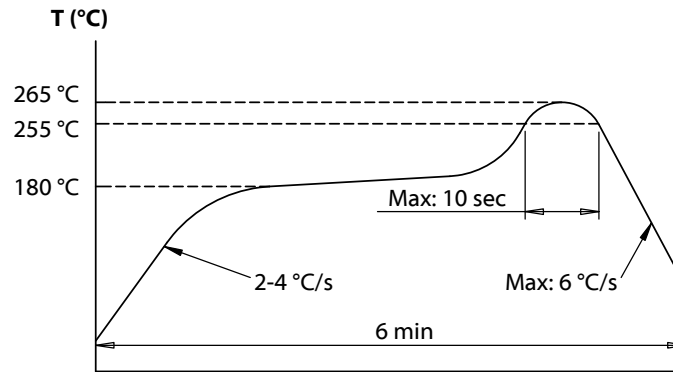
Solderability: 90% minimum coverage when terminals dipped 2mm in 260 ± 5 °C solder bath for 3 ± 0.5 seconds
Solder bath durability: no deformation when immersed in 255 ± 5 °C up to surface of the board 1.6 mm for 5 seconds or less
Solder iron durability: no deformation when exposed to 350 ± 10 °C for 5 seconds or less

Environmental Requirements

Cold test: -40 ± 2 °C for 48 hours without deformation
Heat test: 70 °C, relative humidity 70-85% for 96 hours without deformation
Humidity test: 40 ± 2 °C, relative humidity 90-100% for 96 hours without deformation
Salt spray test: 35 ± 2 °C, 5% NaCl mist for 24 hrs. Wash parts after test. No remarkable corrosion shall be present

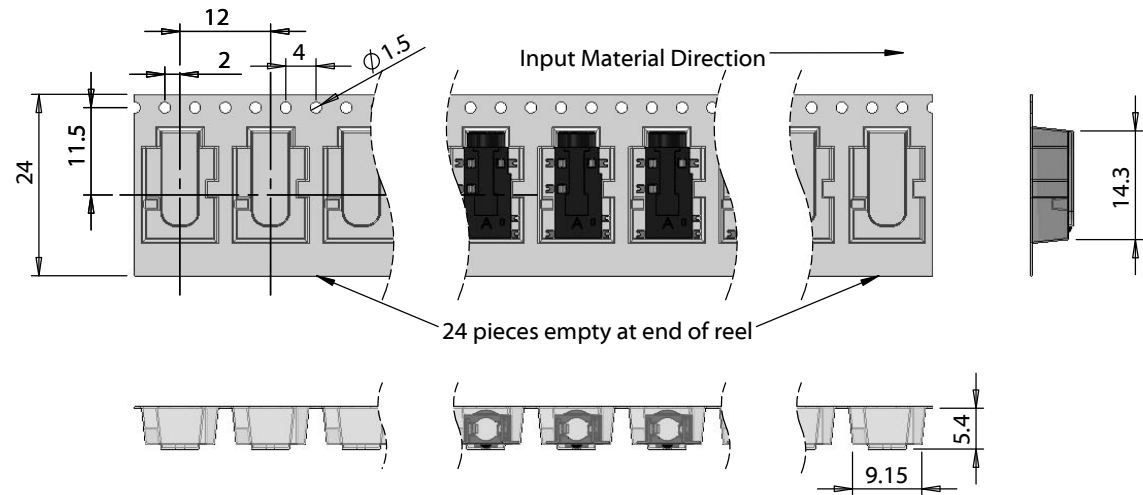
Packaging Information

1000 connectors/reel
12 reels/box



Reflow soldering temperature profile

Packaging Detail



Revision:	Date:	Description:	Prepared:	Notes:	<h1>TENSILITY</h1>
A	3/11/2020	Initial release	AG <small>Digitally signed by AG Date: 2020.04.08 11:48:50 -07'00'</small>		
			Verified:	Function test: no open, no short circuit, no intermittent	tel 1.541.323.3228 800 877.670.7118 fax 1.541.323.4202 web tensility.com
			AW <small>Digitally signed by AW Date: 2020.04.08 12:15:56 -07'00'</small>	Description:	Size: Part number:
			Dimensions are in millimeters. Tolerances: X: ± 0.5 mm X.X: ± 0.3 mm X.XX: ± 0.2 mm	Connector, 3C audio jack, 3.5xL14 mm, SMT mount, silver plated	A 54-00178
					Scale: 1:1
					☉ ◻
					Sheet 2 of 2