

# PGL-2 | Separation block for GLA-2 side guides

Technopolymer, stainless steel



## MATERIAL

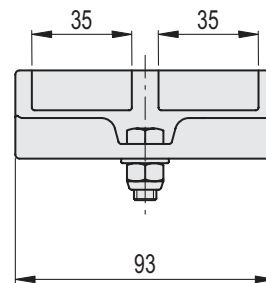
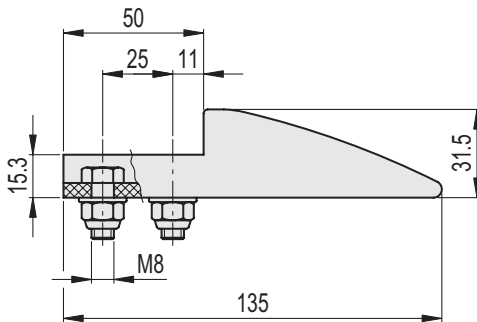
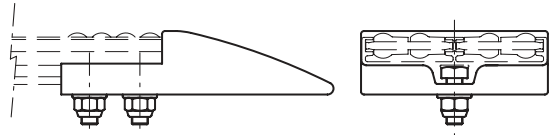
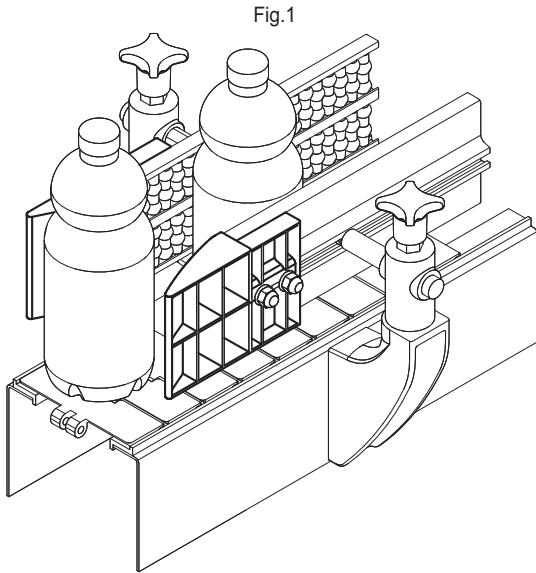
Polyethylene based (PE) technopolymer, grey colour.

## SCREWS AND NUTS WITH THREAD LOCK

AISI 304 stainless steel

## FEATURES AND APPLICATIONS

PGL-2 separation block is used at the ends of GLA-2 side guides (Fig.1).



Code	Description	⚖️
419149	PGL-2-93-135	120

- 1
- 2
- 3
- 4
- 5
- 6
- 7
- 8
- 9
- 10
- 11
- 12
- 13
- 14
- 15
- 16
- 17
- 18

Leveling elements and supports