

34320-1 ✓ ACTIVE

SOLISTRAND

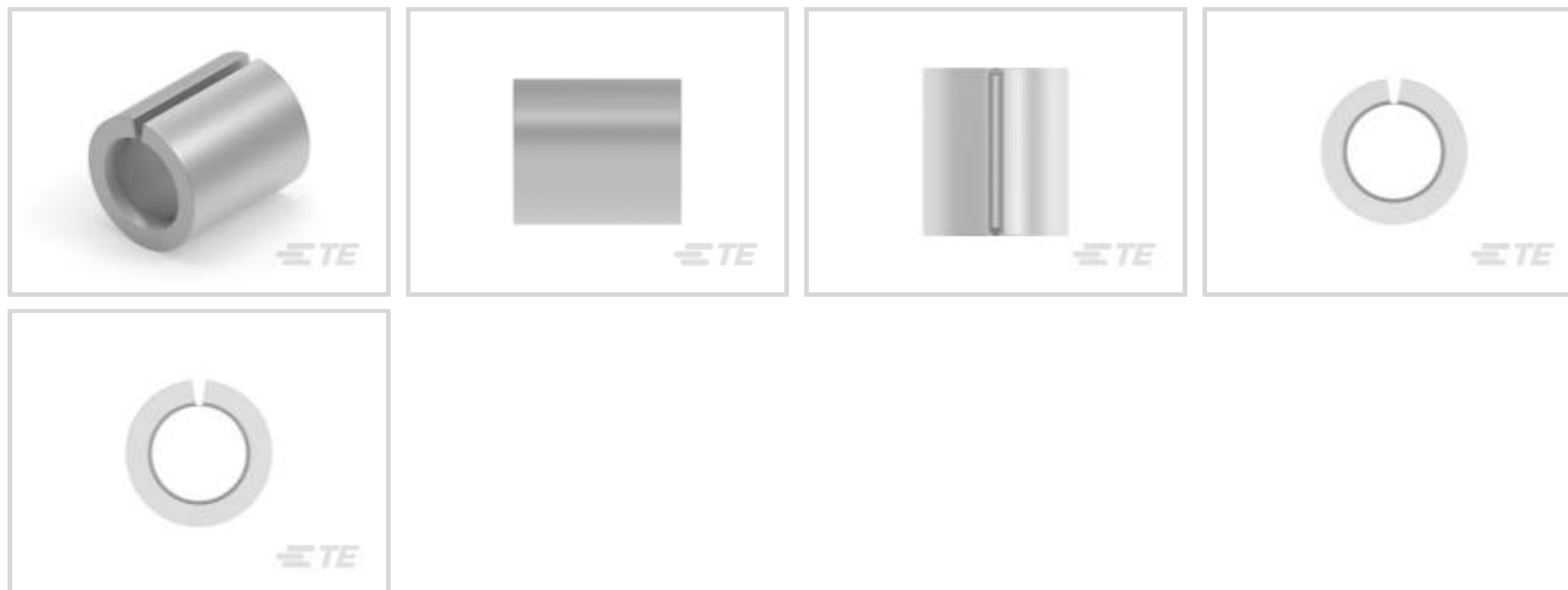
TE Internal #: 34320-1

Splices, Parallel Splice, 4 AWG Wire Size, 21 mm² Wire Size,
Serrated, .296 in [7.52 mm] Barrel Inside Diameter, 33.1 – 52.6 kcmil
Wire Size

[View on TE.com >](#)



Terminals & Splices > Splices



Wire Size: 21 mm²

Sealable: No

Splice Features: **Serrated**

Barrel Inside Diameter: 7.52 mm [.296 in]

Features

Product Type Features

Splice Accessory Type	Splice
Sealable	No
Splice Type	Parallel Splice
Compatible With Discrete Wire Type	Solid, Stranded
Wire Insulation Support Retention Type	Non-Insulation Support

Configuration Features

Compatible With Wire & Cable Type	Discrete Wire
-----------------------------------	---------------

Body Features

Splice Features	Serrated
-----------------	----------

Contact Features

	100 μin
Terminal Plating Material	Tin-Lead
Contact Base Material	Copper
Barrel Type	Closed



Mechanical Attachment

Wire Insulation Support	Without
-------------------------	---------

Dimensions

Outside Diameter	11.76 mm[.463 in]
Wire Size	33100 – 52600 CMA
Barrel Inside Diameter	7.52 mm[.296 in]
Terminal Material Thickness	1.85 mm[.073 in]
Product Length	13.48 mm[.531 in]

Usage Conditions

Insulation Option	Uninsulated
Operating Temperature Range	170 °C[338 °F]

Industry Standards

Government Qualified Splice	No
-----------------------------	----

Packaging Features

Packaging Quantity	100
Packaging Method	Loose Piece

Product Compliance

[For compliance documentation, visit the product page on TE.com>](#)

EU RoHS Directive 2011/65/EU	Not Compliant
EU ELV Directive 2000/53/EC	Not Compliant
China RoHS 2 Directive MIIT Order No 32, 2016	Restricted Materials Above Threshold
EU REACH Regulation (EC) No. 1907/2006	Current ECHA Candidate List: JUNE 2023 (235) Candidate List Declared Against: JAN 2022 (223) SVHC > Threshold: Pb (40% in Component Plating) Article Safe Usage Statements: Do not eat, drink or smoke when using this product. Wash thoroughly after handling. Recycle if possible and dispose of the article by following all applicable governmental regulations relevant to your geographic location.
Halogen Content	Low Halogen - Br, Cl, F, I < 900 ppm per homogenous material. Also BFR/CFR/PVC Free
Solder Process Capability	Not applicable for solder process capability

Product Compliance Disclaimer




This information is provided based on reasonable inquiry of our suppliers and represents our current actual knowledge based on the information they provided. This information is subject to change. The part numbers that TE has identified as EU RoHS compliant have a maximum concentration of 0.1% by weight in homogenous materials for lead, hexavalent chromium, mercury, PBB, PBDE, DBP, BBP, DEHP, DIBP, and 0.01% for cadmium, or qualify for an exemption to these limits as defined in the Annexes of Directive 2011/65/EU (RoHS2). Finished electrical and electronic equipment products will be CE marked as required by Directive 2011/65/EU. Components may not be CE marked. Additionally, the part numbers that TE has identified as EU ELV compliant have a maximum concentration of 0.1% by weight in homogenous materials for lead, hexavalent chromium, and mercury, and 0.01% for cadmium, or qualify for an exemption to these limits as defined in the Annexes of Directive 2000/53/EC (ELV). Regarding the REACH Regulation, the information TE provides on SVHC in articles for this part number is based on the latest European Chemicals Agency (ECHA) 'Guidance on requirements for substances in articles' posted at this URL: <https://echa.europa.eu/guidance-documents/guidance-on-reach>

Compatible Parts



TE Part # 34320
SPLICE,SOLIS PARA 4




TE Part # 34320-3
SPLICE,STRAT, PARA, HR, 4


Customers Also Bought



TE Part #4-1393254-2
W91-X152-10=M6/M7/M9/W6/W7



TE Part #53964-1
TERMINAL,PIDG PVF2 R 16-14HD 6



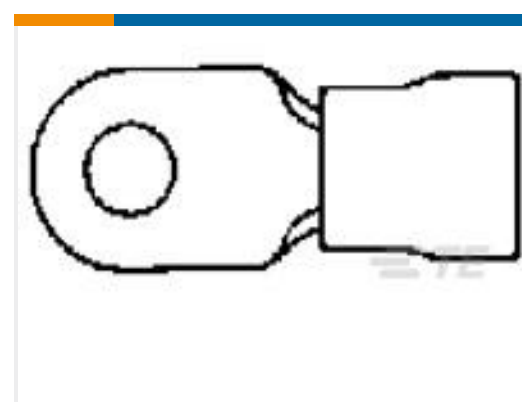
TE Part #53428-1
TERMINAL,PIDG PVF2 R 12-10 3/8



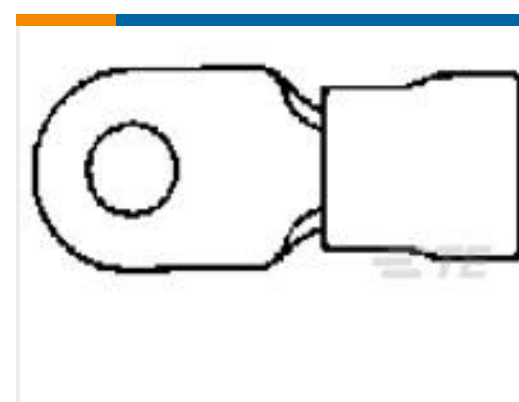
TE Part #2333393-6
QSFP 25GIG 30AWG 2.5 METER



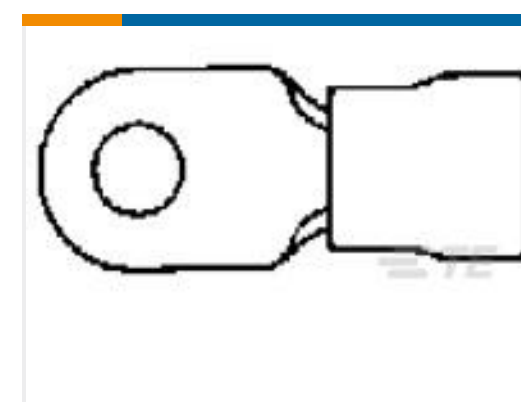
TE Part #2334100-4
D-SUB CRIMP MALE 37 POS



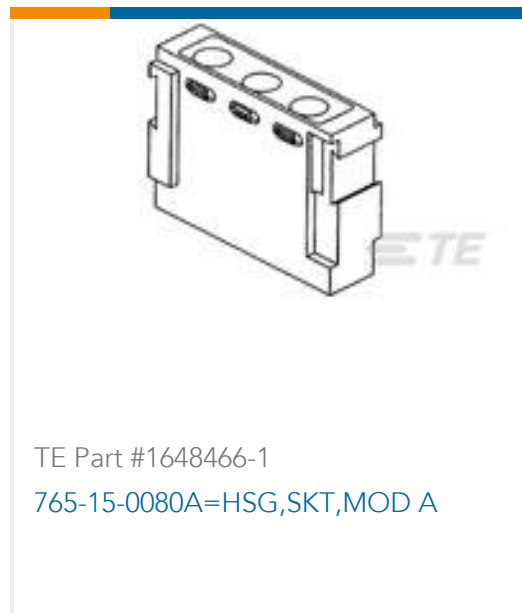
TE Part #53946-1
TERMINAL,R PVF2 PG 6 1/4



TE Part #53951-1
TERMINAL,R PVF2 PG 4 1/2



TE Part #53944-1
TERMINAL,R PVF2 PG 8 3/8



Documents

Product Drawings

[SOLIS, PARA 4 60/40 SN-PB](#)

English

CAD Files

Customer View Model

[ENG_CVM_CVM_34320-1_R.2d_dxf.zip](#)

English

[3D PDF](#)

3D

Customer View Model

[ENG_CVM_CVM_34320-1_R.3d_igs.zip](#)

English

Customer View Model

[ENG_CVM_CVM_34320-1_R.3d_stp.zip](#)

English

By downloading the CAD file I accept and agree to the [Terms and Conditions](#) of use.

Datasheets & Catalog Pages

[SOLISTRAND - QRG](#)

English