

4

3

2

1

THIS DRAWING IS UNPUBLISHED.

RELEASED FOR PUBLICATION

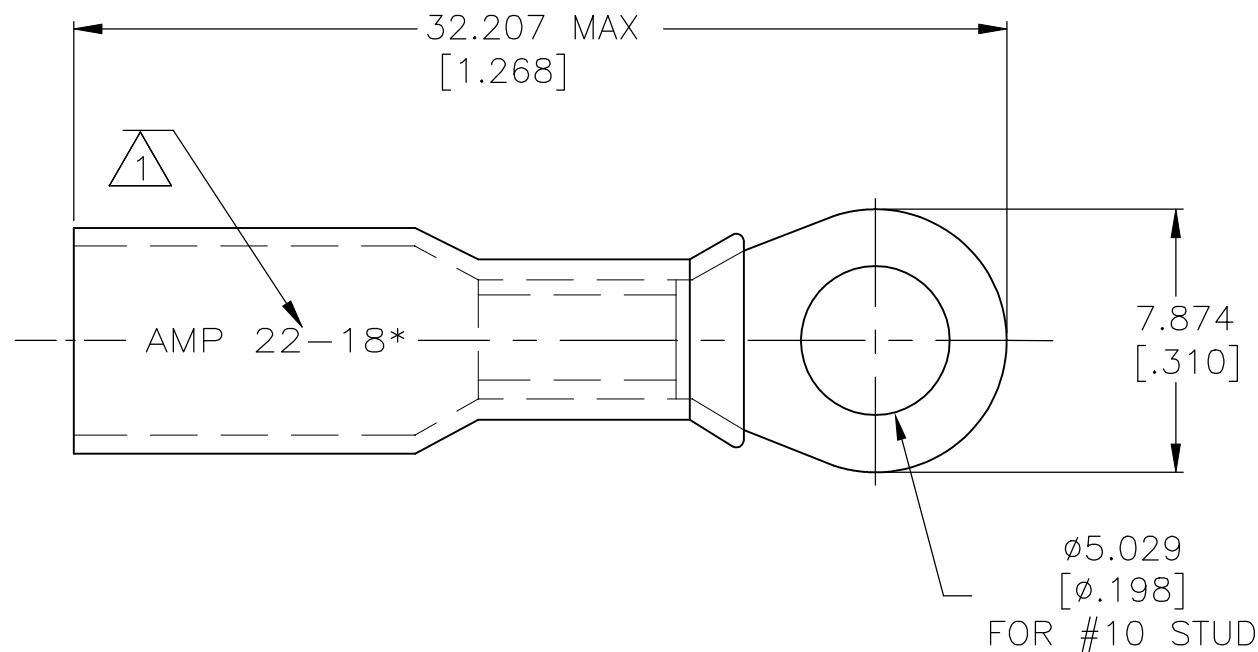
--

REVISIONS

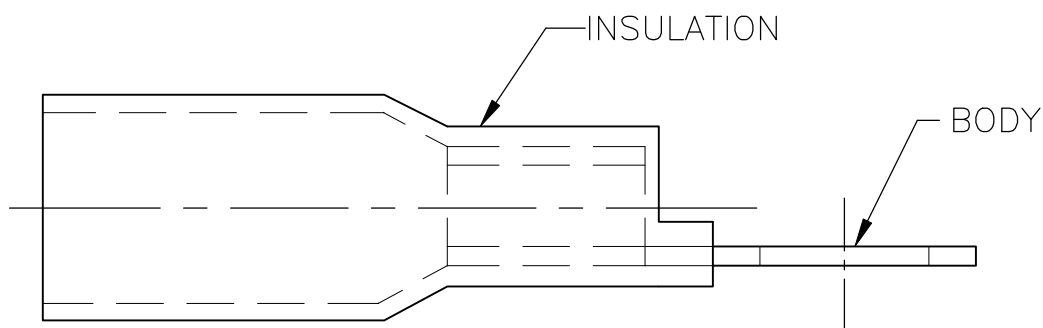
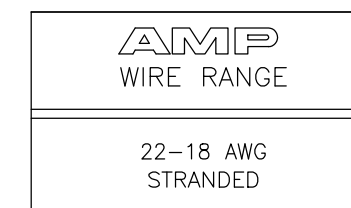
© COPYRIGHT - TE Connectivity Ltd.

ALL RIGHTS RESERVED.

P	LTR	DESCRIPTION	DATE	DWN	APVD
	F	REVISED PER ECR-09-027352	17FEB10	JR	TM
	F1	REVISED PER ECO-17-016703	05APR2018	RS	DR



- 1 STAMP AMP 22-18* APPROX AS SHOWN
- 2 WIRE INSULATION 4.318[.170] MAX.
- 3 BODY MATERIAL THK 0.762±0.051[.030±.002]
- 4 NOTE DELETED



50	LOOSE PIECE	8-55848-2
1000	LOOSE PIECE	55848-1
QTY	PACKAGE TYPE	PART NO

AMP INCORPORATED
CUSTOMER SERVICE SYSTEMS

MAX RECOMMENDED OPERATING
TEMPERATURE:

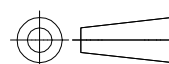
125°C[257°F] MAX

VOLTAGE RATING:
600V MAX (BUILDING WIRING)
1000V MAX (FIXTURES & SIGNS)

CIRCULAR MIL AREA:
0.26-0.96² [509-1900]
STRANDED

THIS DRAWING IS A CONTROLLED DOCUMENT.

DIMENSIONS:
mm [INCHES]



TOLERANCES UNLESS
OTHERWISE SPECIFIED:

0 PLC	± -
1 PLC	± -
2 PLC	± -
3 PLC	± 0.127[.005]
4 PLC	± -
ANGLES	± -

MATERIAL

BODY: ETP COPPER
INSULATION: POLYOLEFIN

FINISH

BODY: EDP TIN PLATED
INSULATION: COLOR-RED

DWN S S GOULDEN 6/93

CHK R HERSEY 6/93

APVD B BARE 6/93

PRODUCT SPEC

APPLICATION SPEC

408-4022

WEIGHT

CUSTOMER DRAWING

STE TE Connectivity Ltd.

NAME
TERMINAL, RING TONGUE, SEALABLE
HEAT SHRINKABLE
22-18 AWG

SIZE A3 CAGE CODE 00779 DRAWING NO C-55848 RESTRICTED TO

SCALE NTS SHEET 1 OF 1 REV F1