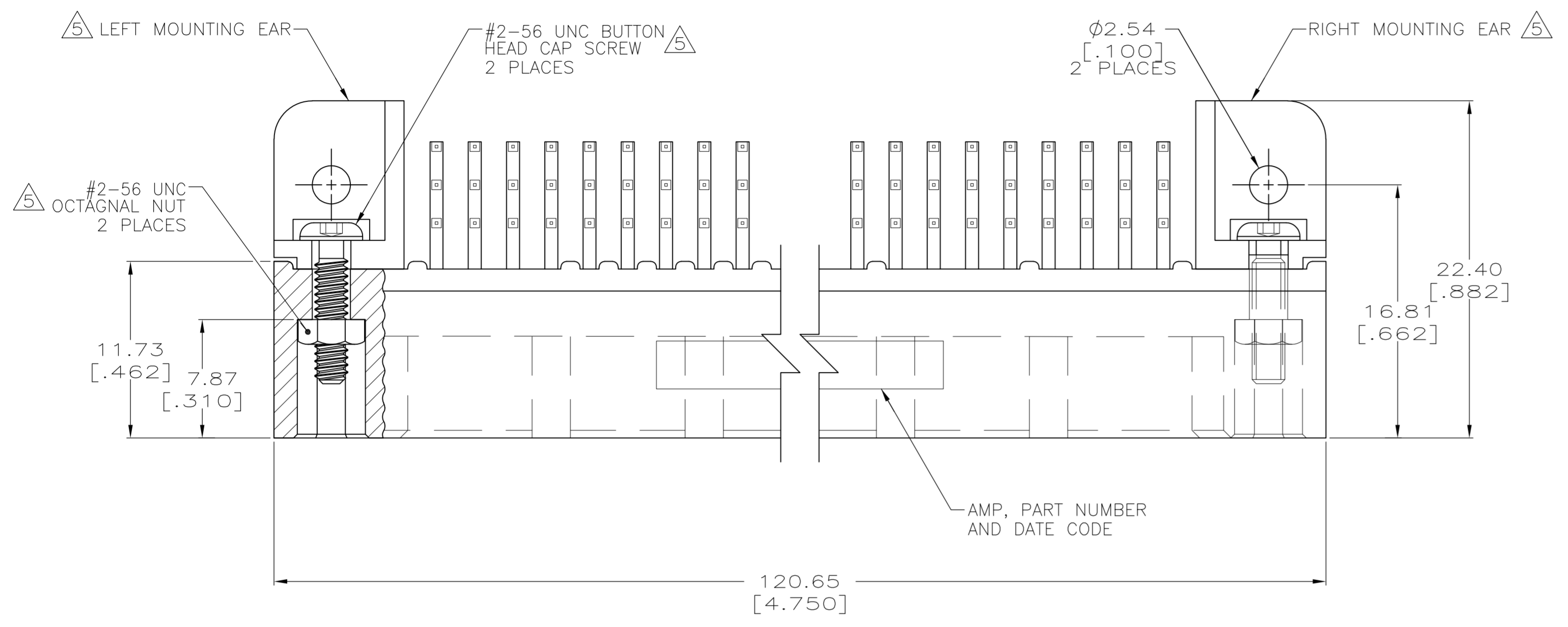
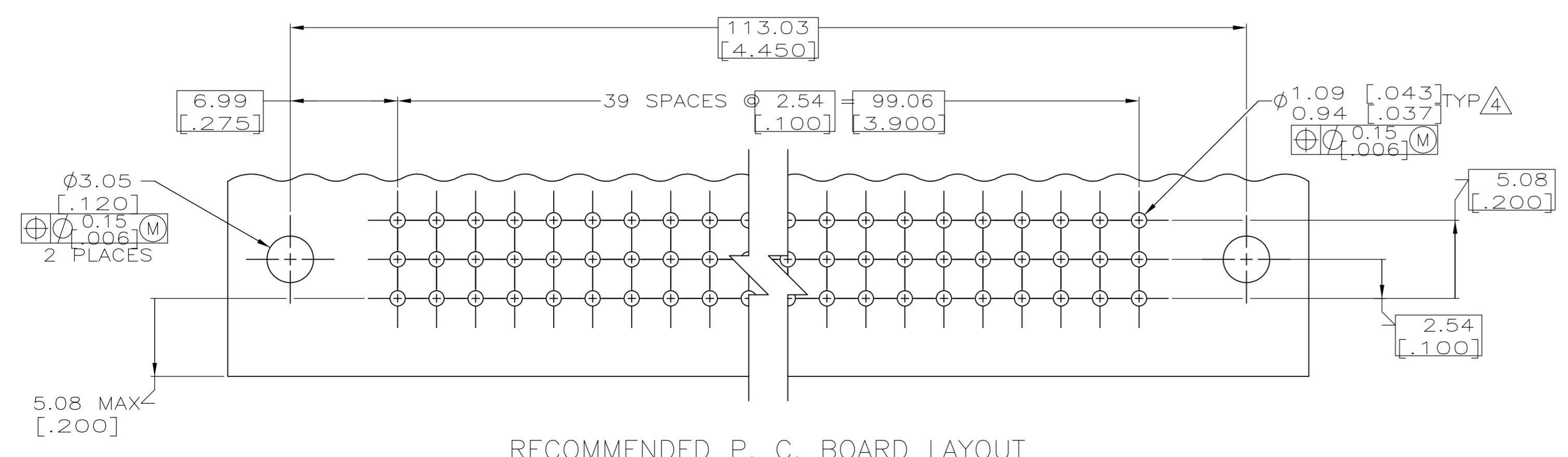
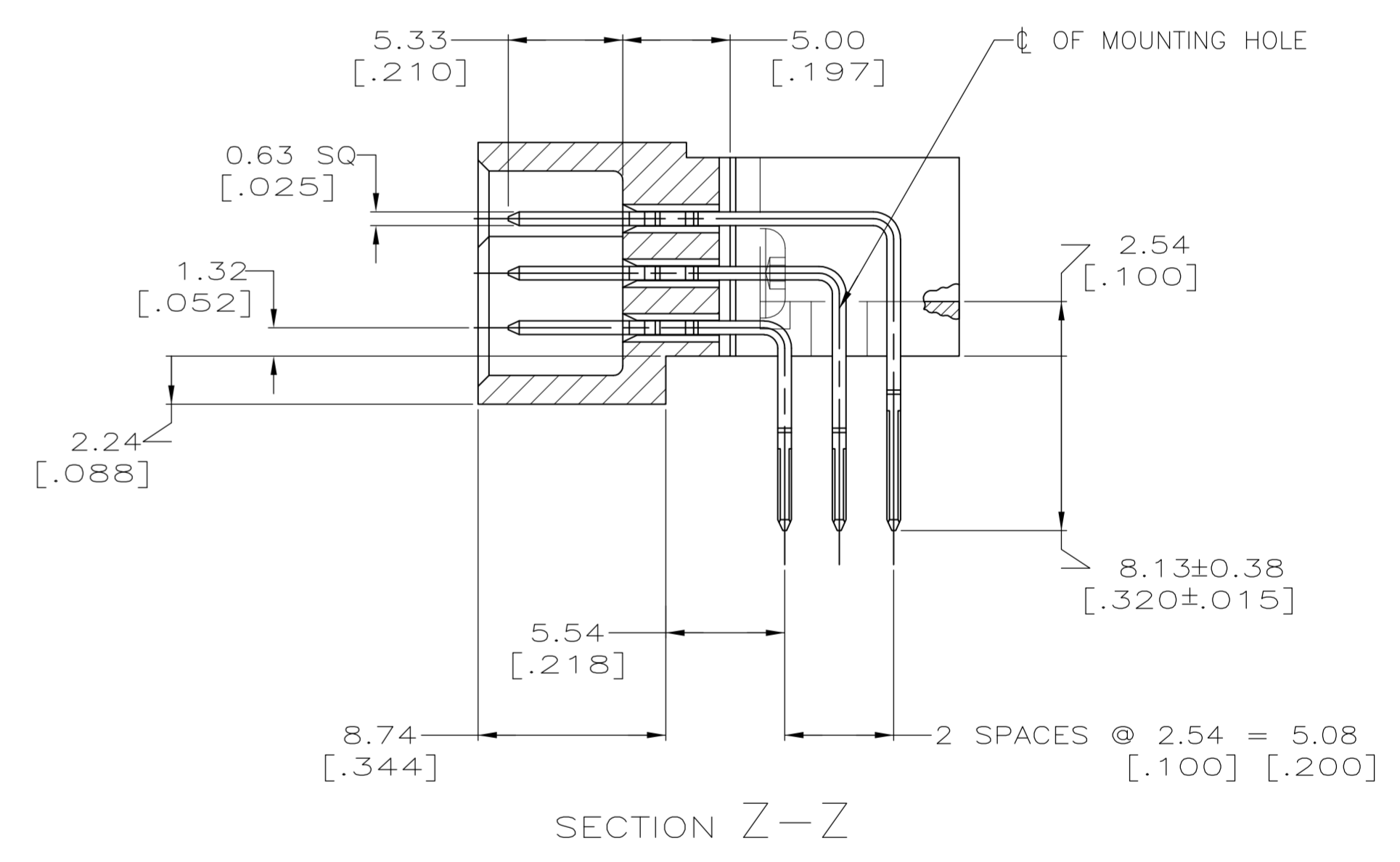
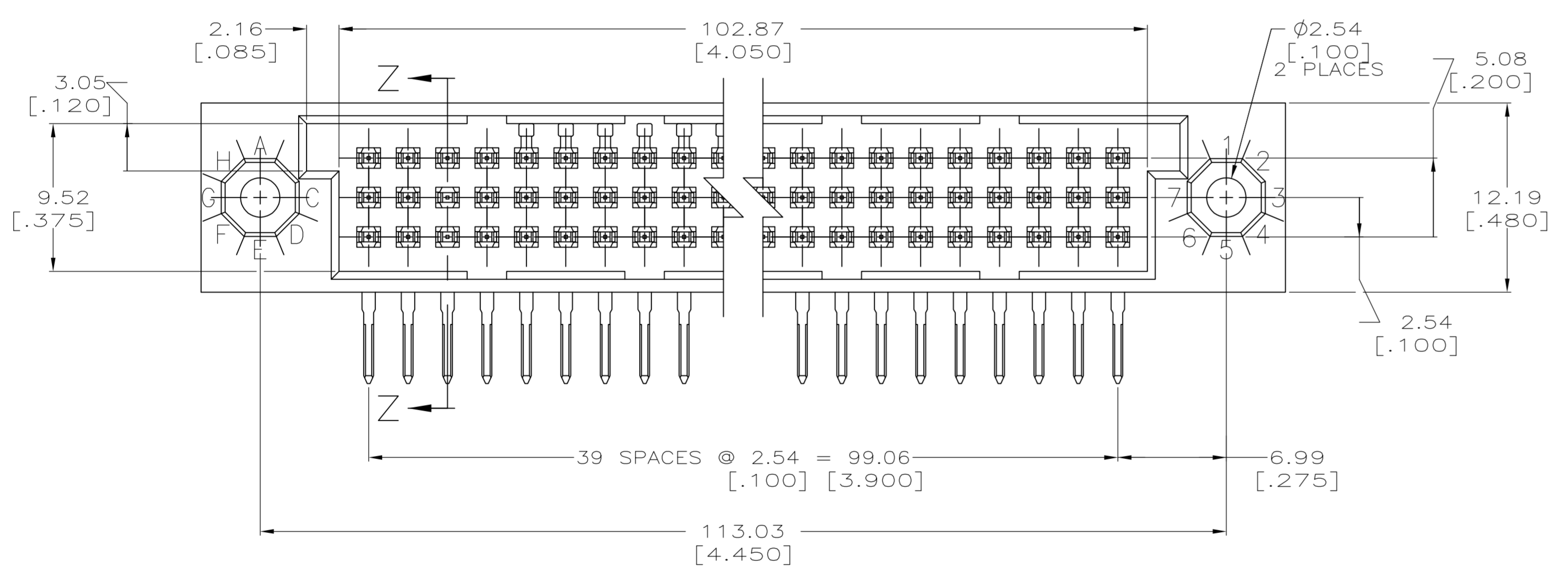


REVISIONS				
P	LTR	DESCRIPTION	DATE	BY
C		REVISED PER ECO-15-015252	13NOV15	BJ FY



- △ HOUSING MATERIAL: THERMOPLASTIC, BLACK.
- △ CONTACT MATERIAL: PHOSPHOR BRONZE.
- △ FINISH:
MATING AREA: MEETS THE PERFORMANCE REQUIREMENTS OF PRODUCT SPECIFICATION 108-9063; BASED ON TELCORDIA DR-1217-CORE APPLICATIONS IN UNCONTROLLED ENVIRONMENTS.
SOLDER TAILS AREA: TIN-LEAD PLATED.
- △ RIGHT ANGLE PIN RECOMMENDED P.C. BOARD HOLE SIZES ARE 0.94-1.09 [.037-.043]; RECOMMENDED PAD DIA IS 1.52 [.060].
- △ MOUNTING EARS AND HARDWARE PURCHASED SEPARATELY, KIT PART NUMBER 533050-1.



THIS DRAWING IS A CONTROLLED DOCUMENT.		DWG T. SHUEY 5-17-94	TE Connectivity
DIMENSIONS: INCHES		CHK G. SKIPPER 5-19-94	
TOLERANCES UNLESS OTHERWISE SPECIFIED:		APVD	NAME
0 PLC ± - 1 PLC ± - 2 PLC ± - 3 PLC ± 0.13 [.005] 4 PLC ± - ANGLES ± -		PRODUCT SPEC	PIN HEADER ASSEMBLY, HDI, 3 ROW, RIGHT ANGLE, 120 POSITION
MATERIAL		FINISH	APPLICATION SPEC
△ △ △		WEIGHT CUSTOMER DRAWING	SIZE A1
SCALE 4:1		DRAWING NO. 00779	RESTRICTED TO
SHEET 1 OF 1		REV C	