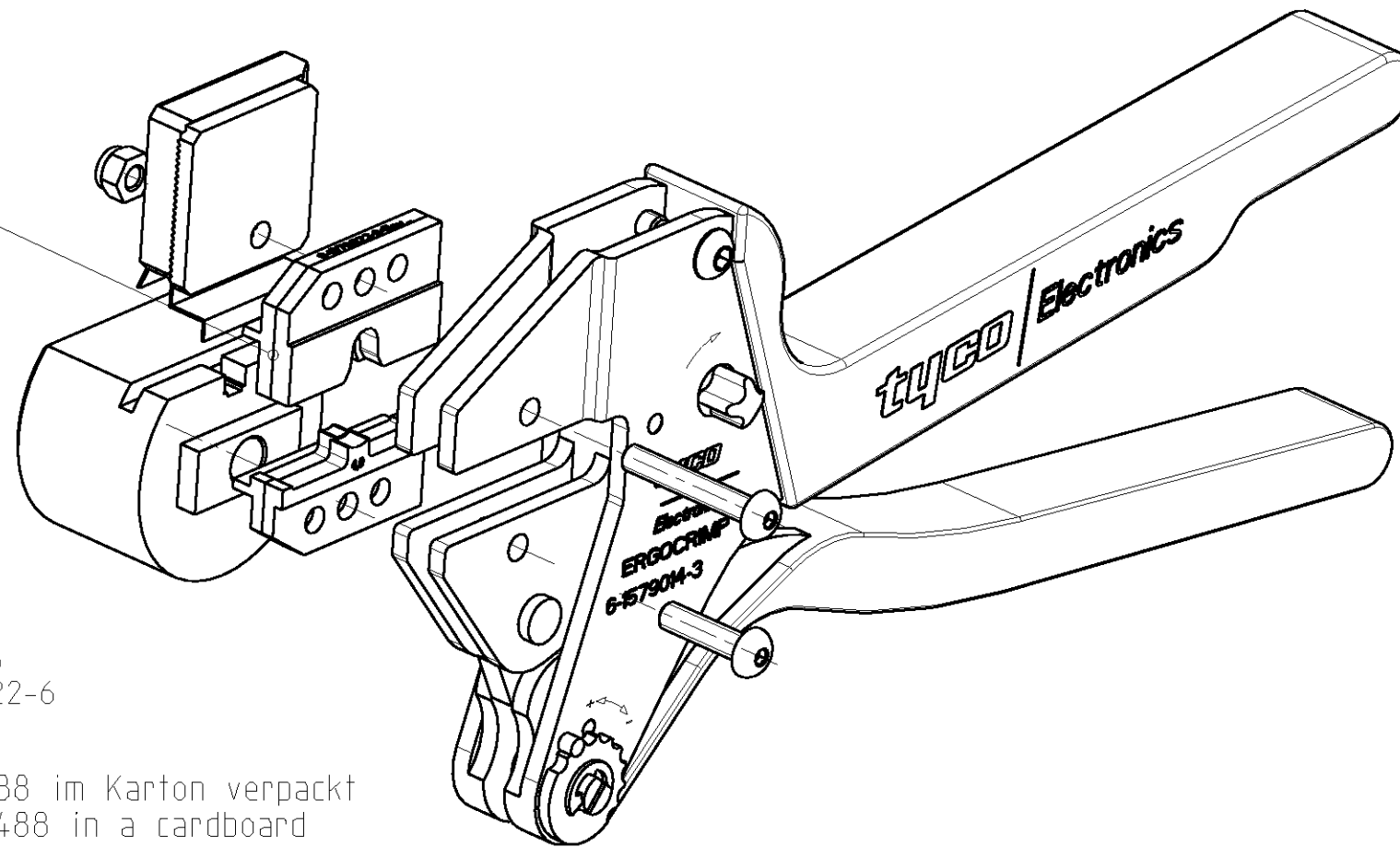


THIS DRAWING IS UNPUBLISHED. RELEASED FOR PUBLICATION 2008
 © COPYRIGHT 2008 BY TYCO ELECTRONICS CORPORATION. ALL RIGHTS RESERVED.

LOC	DIST	REVISIONS				
P	LTR	DESCRIPTION	DATE	DWN	APVD	
A1	-		10SEP2008	-	-	

ERGOCRIMP DIE SET FOR MCON 2.8 TERMINALS SWS - 4,0 mm²

Ergocrimp Matrize als Ersatzteil erhaeltlich
 TE P/N 8-1579022-6
 Ergocrimp die set as spare part available
 TE P/N 8-1579022-6



Einzelzeile der Ergocrimp Matrize bestellbar. Siehe Zeichnung TE P/N 8-1579022-6
 Spare parts of the Ergocrimp die set are available. See drawing TE P/N 8-1579022-6

Handzange mit Matrize zusammengebaut und mit Bedienungsanleitung 411-18488 im Karton verpackt
 Hand tool assembled with die set and packed with instruction sheet 411-18488 in a cardboard

Kontakt	DGB (mm ²)	Drahtcrimp / Wire Crimp		Isolationscrimp/Insulationcrimp		Isol.Ø	Betriebsanl.
Contact	Wire Range	Hoehe/Height mm	Breite/Width mm	Hoehe/Height mm	Breite/Width mm	Ins.Range	Instr.Sheet
1670807	4,0	2,10 ±0,05	3,05 F	5,3	5,34 0	3,4-3,7	411-18488

<small>THIS DRAWING IS A CONTROLLED DOCUMENT FOR TYCO ELECTRONICS CORPORATION IT IS SUBJECT TO CHANGE AND THE CONTROLLING ENGINEERING ORGANIZATION SHOULD BE CONTACTED FOR THE LATEST REVISION.</small>		DWN Ch.Witt 10SEP2008 CHK - APVD - PRODUCT SPEC - APPLICATION SPEC - WEIGHT 750 g	tyco Electronics tyco Electronics AMP GmbH D - 64625 Bensheim
DIMENSIONS: mm 	TOLERANCES UNLESS OTHERWISE SPECIFIED: 0 PLC ± 1 PLC ± 2 PLC ± 3 PLC ± 4 PLC ± ANGLES ±1° MATERIAL - FINISH -	NAME ERGOCRIMP HAND TOOL FOR MCON 2.8 TERMINAL SWS - 4,0 mm ²	RESTRICTED TO -
CUSTOMER DRAWING		SIZE A3 CAGE CODE 00779 DRAWING NO C-6-1579014-3	SCALE 1:1 SHEET 1 OF 1 REV A