



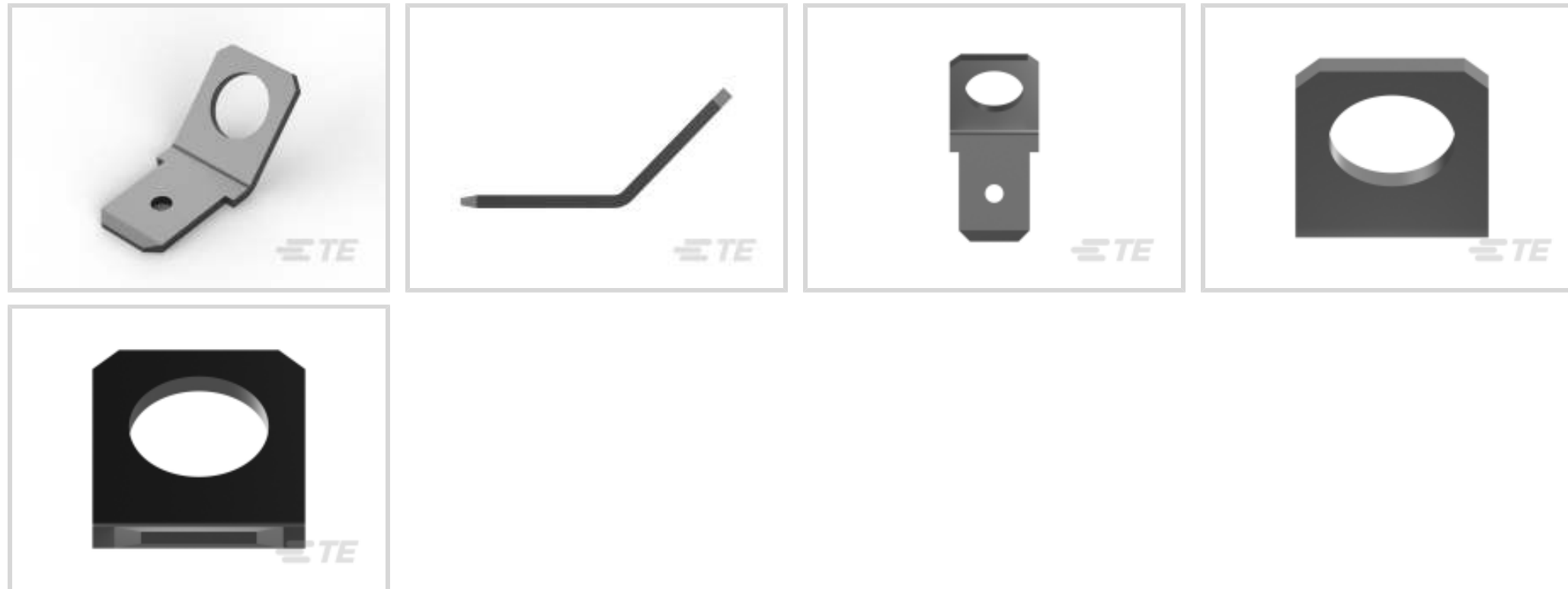
FASTON | FASTON 250

TE Internal #: 181948-2

PCB Terminals, Tab, Mating Tab Width .25 in [6.35 mm], PCB Hole Diameter 5.2 mm [.204 in], Through Hole - Screw, Tin Plating, None, Bag, FASTON 250

[View on TE.com >](#)

Terminals & Splices > PCB Terminals



PCB Terminal Type: **Tab**

Mating Tab Width: **6.35 mm [.25 in]**

Mating Tab Thickness: **.81 mm [.032 in]**

PCB Hole Diameter: **5.2 mm [.204 in]**

Profile Height from PCB: **7.7 mm [.303 in]**

Features

Product Type Features

Terminal Features	Stud Hole
-------------------	-----------

Contact Features

PCB Contact Termination Area Plating Material Thickness	2 – 10 μm[78.74 – 393.7 μin]
Contact Mating Area Plating Material Thickness	2 – 10 μm[78.74 – 393.7 μin]
PCB Terminal Type	Tab
Mating Tab Width	6.35 mm[.25 in]
Mating Tab Thickness	.81 mm[.032 in]
Terminal Plating Material	Tin
Contact Underplating Material	None
Terminal Size	6.35
Terminal Orientation	45 Bend

Termination Features

Termination Method to Printed Circuit Board	Through Hole - Screw
Product Terminates To	Printed Circuit Board



Dimensions

Stud Diameter	5.2 mm[.205 in]
PCB Hole Diameter	5.2 mm[.204 in]
Profile Height from PCB	7.7 mm[.303 in]

Usage Conditions

Insulation Option	Uninsulated
Operating Temperature Range	-40 – 105 °C[-40 – 221 °F]

Industry Standards

Agency/Standard	CSA, UL
-----------------	---------

Packaging Features

Packaging Quantity	5000
Packaging Method	Bag

Product Compliance

[For compliance documentation, visit the product page on TE.com>](#)

EU RoHS Directive 2011/65/EU	Compliant
EU ELV Directive 2000/53/EC	Compliant
China RoHS 2 Directive MIIT Order No 32, 2016	No Restricted Materials Above Threshold
EU REACH Regulation (EC) No. 1907/2006	Current ECHA Candidate List: JUNE 2023 (235) Candidate List Declared Against: JUNE 2023 (235) Does not contain REACH SVHC
Halogen Content	Low Halogen - Br, Cl, F, I < 900 ppm per homogenous material. Also BFR/CFR/PVC Free
Solder Process Capability	Not applicable for solder process capability

Product Compliance Disclaimer

This information is provided based on reasonable inquiry of our suppliers and represents our current actual knowledge based on the information they provided. This information is subject to change. The part numbers that TE has identified as EU RoHS compliant have a maximum concentration of 0.1% by weight in homogenous materials for lead, hexavalent chromium, mercury, PBB, PBDE, DBP, BBP, DEHP, DIBP, and 0.01% for cadmium, or qualify for an exemption to these limits as defined in the Annexes of Directive 2011/65/EU (RoHS2). Finished electrical and electronic equipment products will be CE marked as required by Directive 2011/65/EU. Components may not be CE marked. Additionally, the part numbers that TE has identified as EU ELV compliant have a maximum concentration of 0.1% by weight in homogenous materials for lead, hexavalent chromium, and mercury, and 0.01% for cadmium, or qualify for an exemption to these limits as defined in the Annexes of Directive 2000/53/EC (ELV). Regarding the REACH Regulation, the information TE provides on SVHC in articles for this part number is based on the latest European Chemicals Agency (ECHA) 'Guidance on requirements for substances in articles' posted at this URL: <https://echa.europa.eu/guidance-documents/guidance-on-reach>

Compatible Parts



TE Part # 63038-1
250 FASTON TAB TPBR



TE Part # 181953-1
250 FASTON,TAB,BR



TE Part # 61499-1
250 FASTON TAB TPBR



TE Part # 61365-1
250 FASTON TAB TPBR



TE Part # 181949-2
250 FASTON,TAB,TPBR



TE Part # 181948-1
250 FASTON,TAB,BR



TE Part # 63971-1
250 FASTON TAB TPBR




TE Part # 181949-1
250 FASTON,TAB,BR




TE Part # 41484
250 FASTON TAB TPBR


Also in the Series | FASTON 250



Compression Connectors(4)



Crimp Terminal Housings(142)



Insertion & Extraction Tools(6)



Magnet Wire Terminals(1)



PCB Terminals(135)



Quick Disconnects(445)



Splices(4)

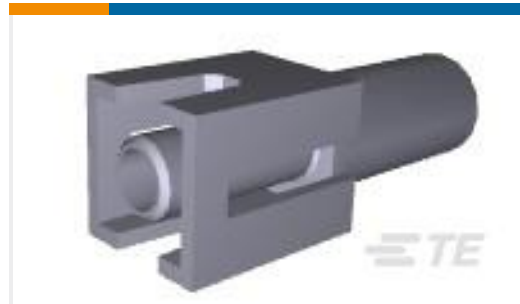
Customers Also Bought



TE Part #5100669-1
Z-PACK M.CONN.175P.



TE Part #2065883-1
Zd Plus, 3 pair receptacle ass



TE Part #770421-1
01P UMNL CAP HSG NATL



TE Part #1857994-1
Z-PACK/A F-HDR 110P, EON



TE Part #EC0183-000
05811303



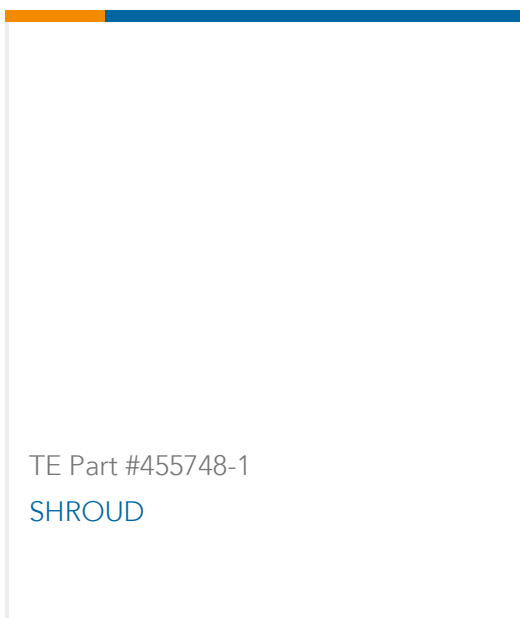
TE Part #1-1618002-5
EV200H1ANA=RELAY, SPST-NO WITH



TE Part #150520-2
RT .197 DIA TERMINAL 16-13 AWG
TPBR



TE Part #455749-1
GUARD



TE Part #455748-1
SHROUD

Documents

Product Drawings

[250 FASTON,TAB,TPBR](#)

English

CAD Files

[3D PDF](#)

3D

[Customer View Model](#)

[ENG_CVM_CVM_181948-2_F.2d_dxf.zip](#)



English

Customer View Model

[ENG_CVM_CVM_181948-2_F.3d_igs.zip](#)

English

Customer View Model

[ENG_CVM_CVM_181948-2_F.3d_stp.zip](#)

English

By downloading the CAD file I accept and agree to the [Terms and Conditions](#) of use.

Datasheets & Catalog Pages

[1654742_HOUSEHOLD_APPLIANCES_RAST5](#)

English

Product Environmental Compliance

[Product Compliance](#)

English

[Product Compliance](#)

English