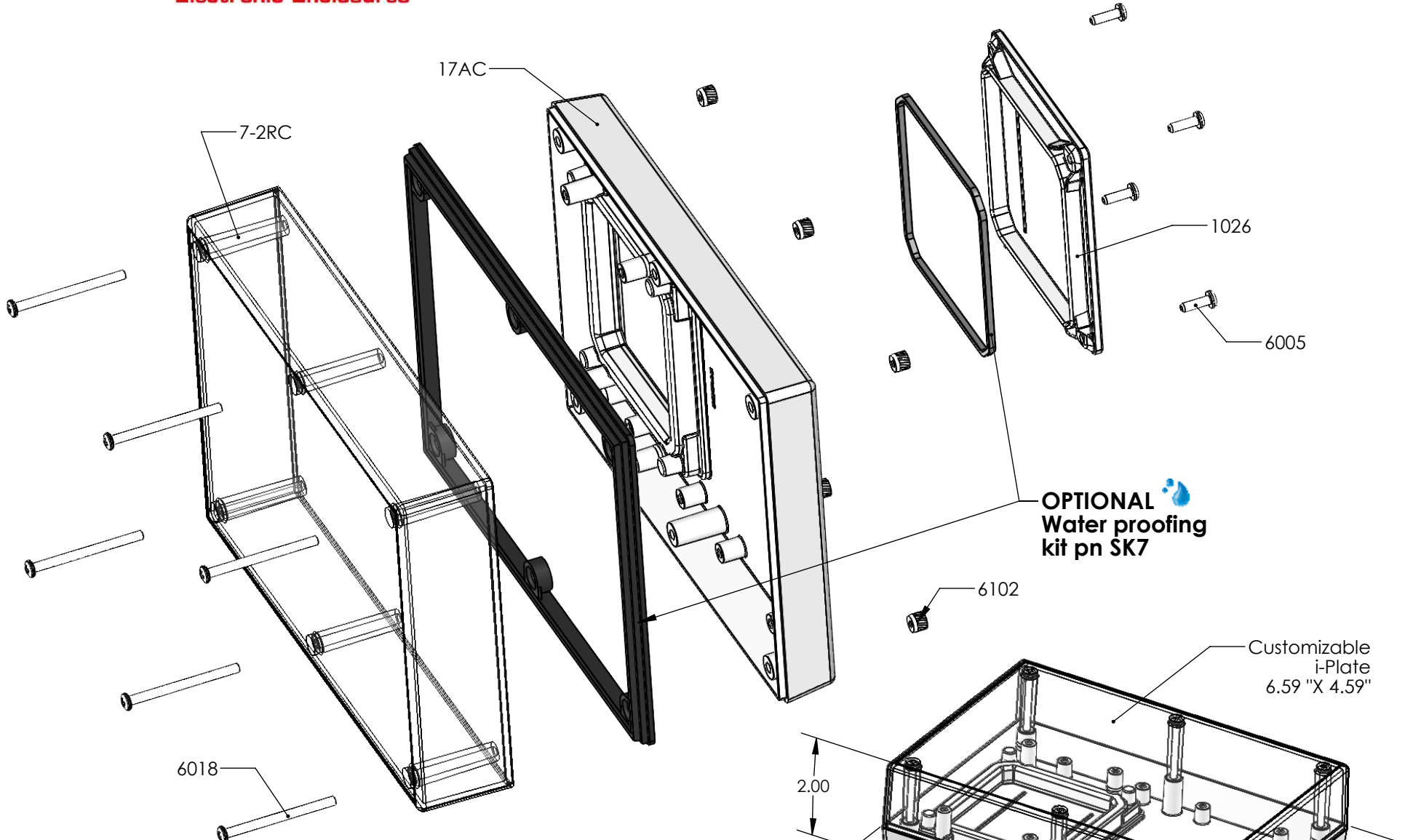


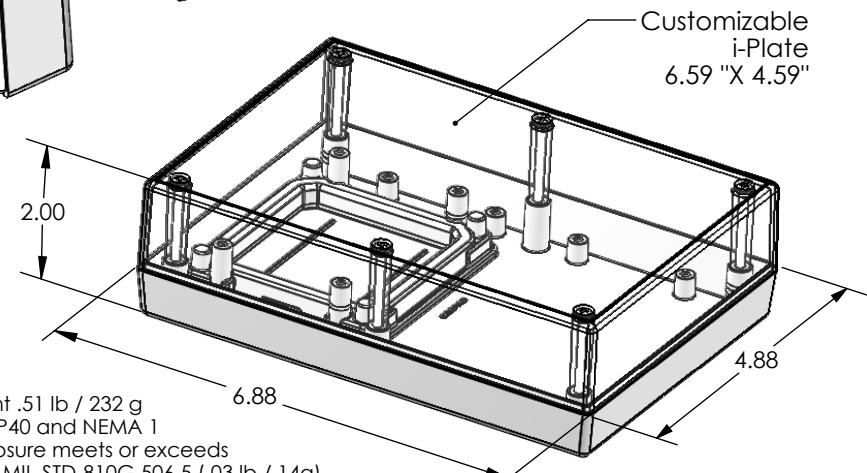
SERPAC 172RCAC (exploded isometric)

Electronic Enclosures



PART NO.	DESCRIPTION (Included)	PART NO.	DESCRIPTION (Optional)
7-2RC	Clear Top	50	Non-skid Feet
17AC	AC Bottom	SK7	Seal Kit for 17X
1026	Access Door		
6005	#4 X 3/8" Self-Tapping Screw (4)		
6018	4-40 X 1 1/2" Screw (6)		
6102	4-40 Threaded Insert (6)		

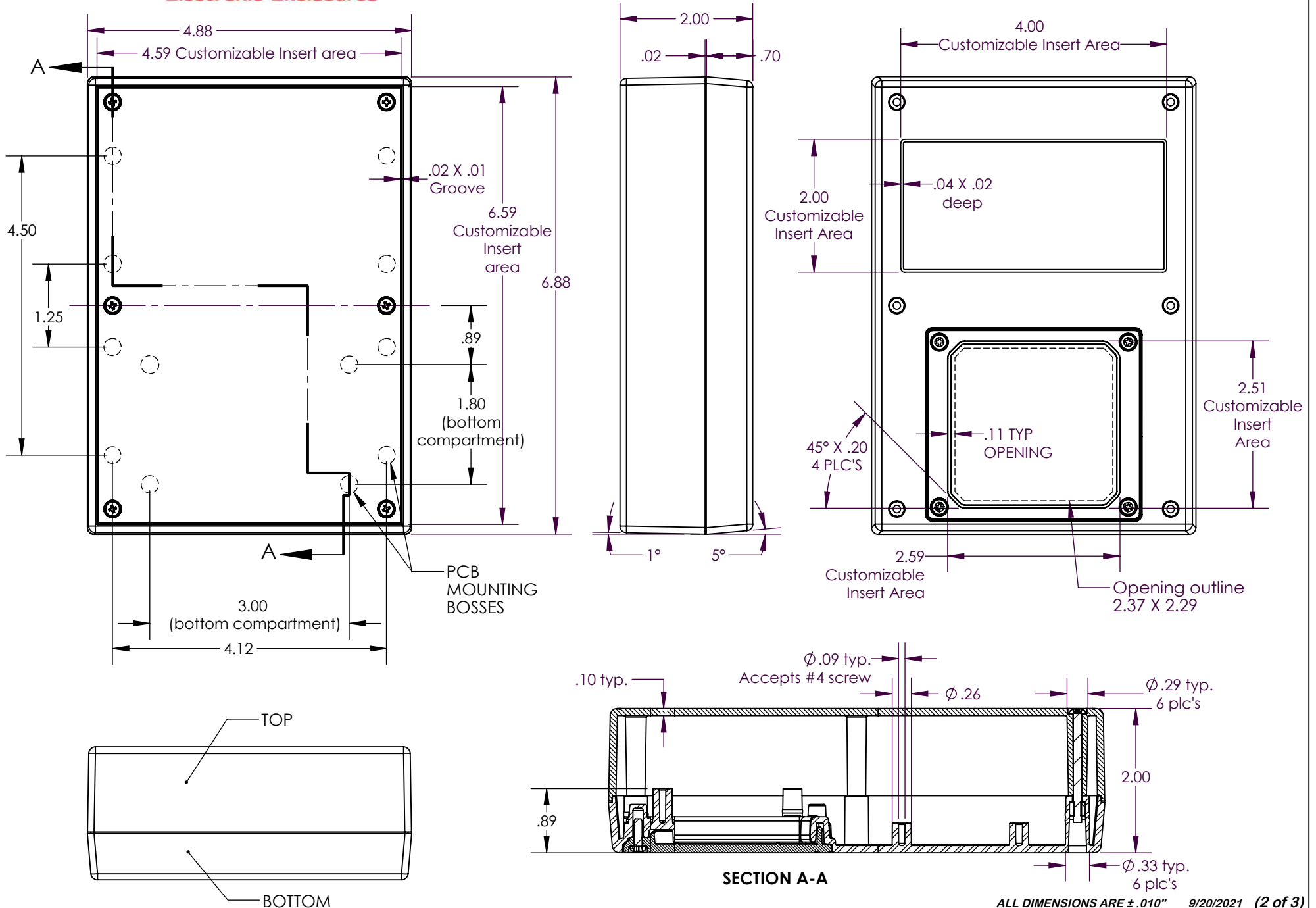
- Notes:
- 1) Enclosure weight .51 lb / 232 g
 - 2) When used with SK7 the enclosure meets or exceeds IP 67 and NEMA 4X, 12 and 13 MIL-STD-810G 506.5 (.03 lb / 14g)
 - 3) Circuit Board drawings see sheet 3.
 - 4) All components are RoHS Compliant.



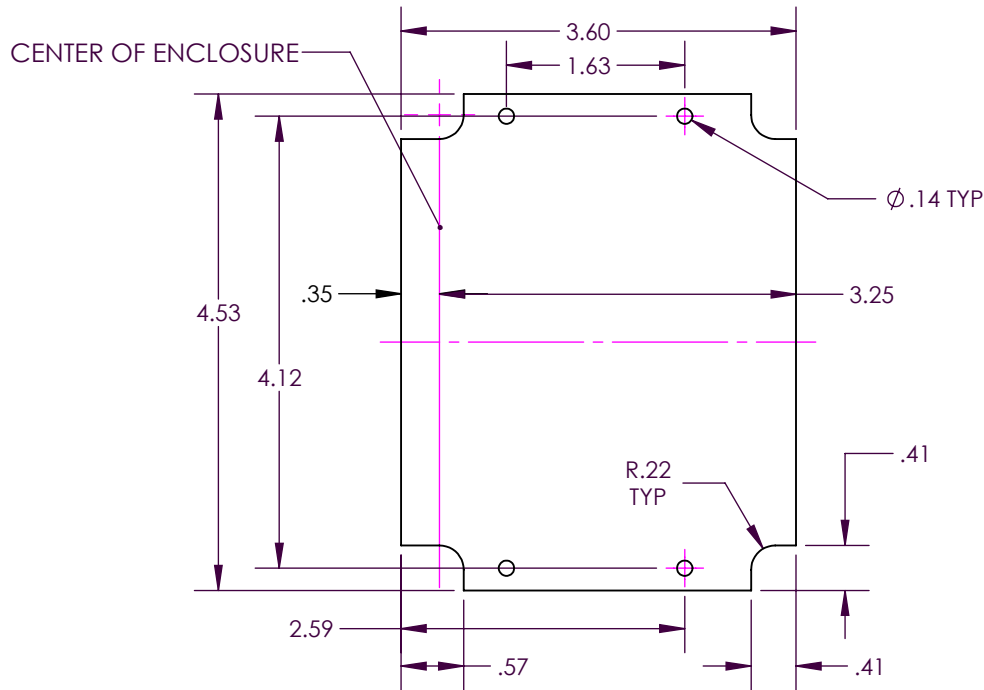
OPTIONAL
Water proofing
kit pn SK7

SERPAC 172RCAC

Electronic Enclosures



SMALL CIRCUIT BOARD FOR BOTTOM



CIRCUIT BOARD FOR BOTTOM

