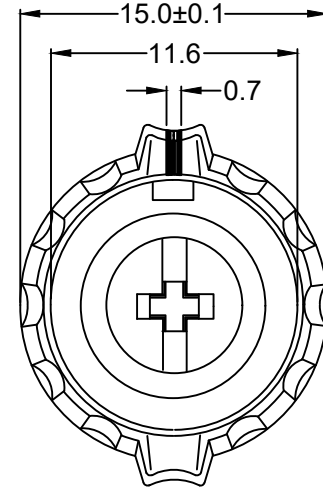
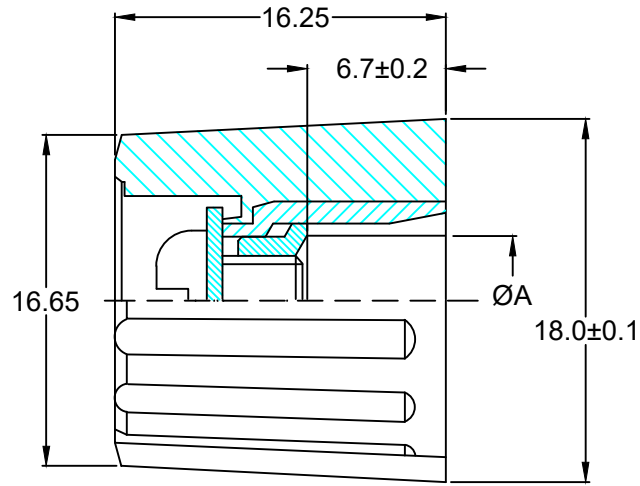


MATERIAL AND FINISH
 Knob: Polyamide, Matte finish
 Collet, Sleeve & nut: Brass 58

RoHS
 COMPLIANT



ORDERING CODE:
 29-15-XX X
 1 2

- 1) SHAFT DIAMETER (A)
 30 = 3mm
 31 = 1/8"
 40 = 4mm
 60 = 6mm
 61 = 1/4"

2) COLOR (SEE CHART)

| P/N | COLOR |
|-----------|------------|
| 29-15-XX1 | LIGHT GRAY |
| 29-15-XX2 | GRAY |
| 29-15-XX3 | BLACK |
| 29-15-XX4 | RED |

| | |
|---|----------|
| TOLERANCE UNLESS OTHERWISE SPECIFIED | |
| X | ± 1 |
| X.X | ± 0.4 |
| X.XX | ± 0.20 |
| DRAWN BY | PB |
| CHECK BY | |
| APPR BY | |
| DATE: | 10/26/10 |
| DATE: | |
| DATE: | |

Power Dynamics, Inc.
 Phone: 973 560-0019 Whippany, New Jersey Fax: 973 560-0076

PART: 15mm WING KNOB; WITH LINE
 MATTE FINISH

PART #: **29-15-XXX**

SIZE: A
 SCALE: NTS

ALL DIMENSIONS FOR REFERENCE ONLY
 DIMENSIONS ARE IN MILLIMETERS

SHEET 1 of 1
 REV:

| | | | | |
|-----------|--------|-----|-----|------|
| REVISIONS | CHANGE | CHK | CHK | APPR |
| REV | DATE | | | |