

SPECIFICATIONS

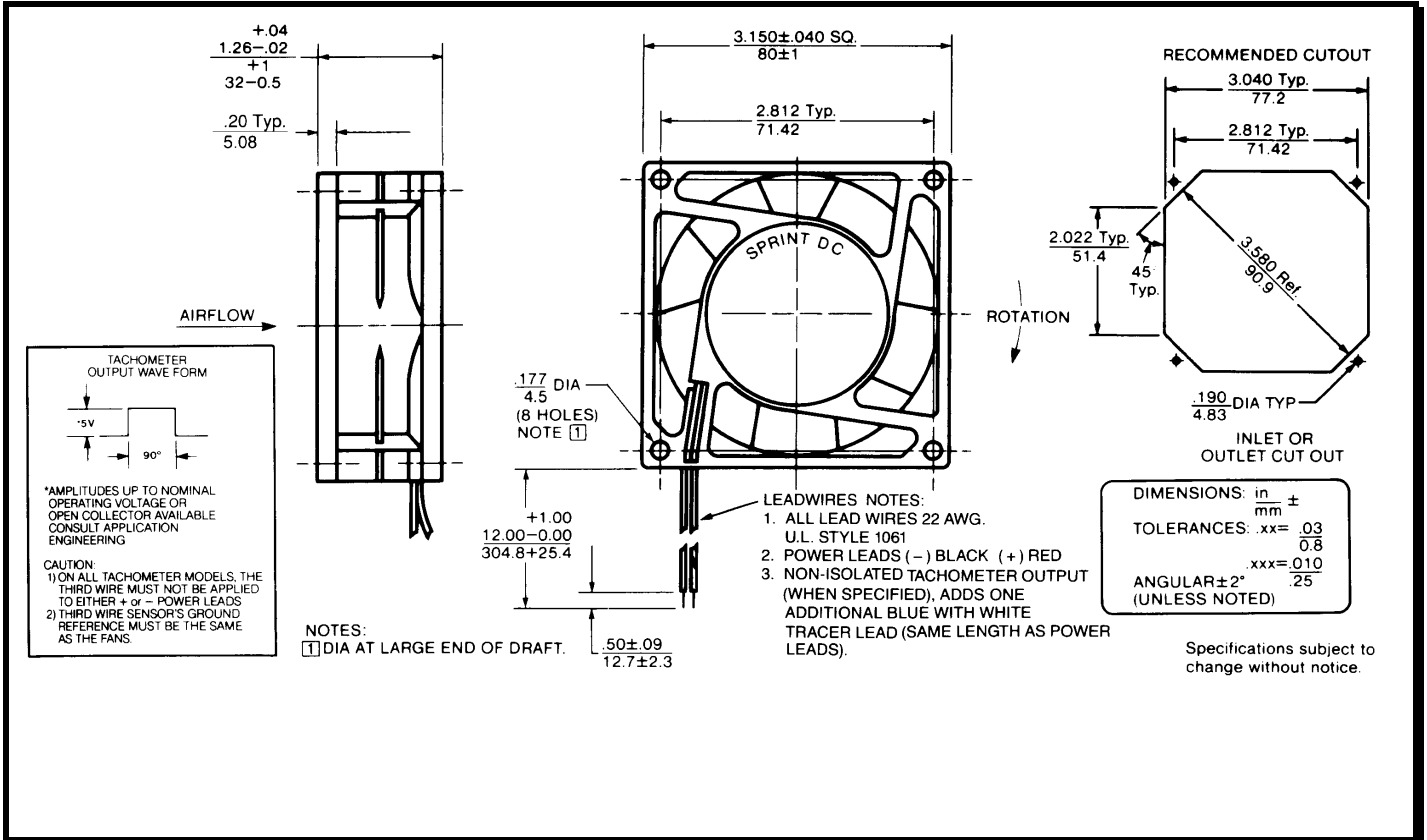
(RoHS Compliant)



Model Number: STD48B3-E3
Part Number: 17001215A

Version: 00
Jun 13, 2018

Mechanical Drawing:



Motor:

Nominal Voltage = 48 vdc
 Operating Voltage Range = 36-60 vdc
 Nominal Running Current = 0.07 amps
 Max. Locked Rotor Current = 0.50 amps
 Running Power = 3.6 watts
 Average Speed = 3400 RPM
 Bearings = Ball
 Air Flow = 32 CFM
 Acoustic = 40.9 dBA

Construction:

Venturi: Plastic, Black, UL 94V-0
 Propeller: Plastic, Black, UL 94V-0

Life Expectancy:

This fan is designed for continuous duty life of 45,000 hours at 70°C.

Additional Features:

Brushless DC Motor
 Automatic Restart Capability
 Electronic Locked Rotor Protection
 Polarity Protected
 Operating Temperature: -10°C to 70°C
 Storage Temperature: -40°C to 85°C
 Environmental Protection: Type 3(IP68)

Termination:

12" Lead wires, 22 AWG, UL 1061
 Red = Power
 Black = Ground

Agencies:

UL, CUL, CE

PQ Curve:

