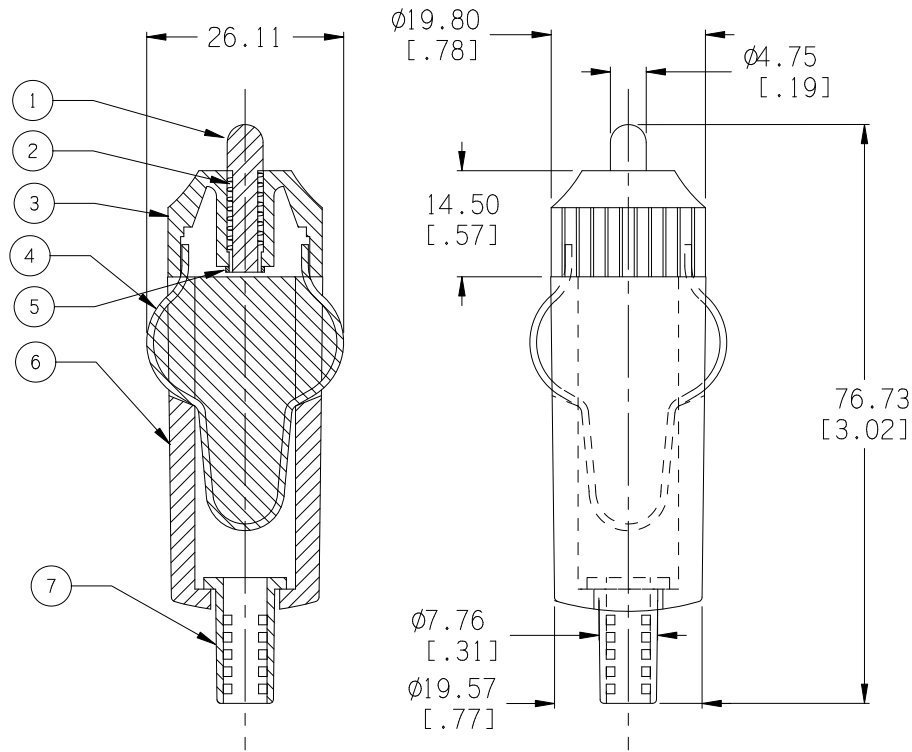



Date	SYM	REVISION RECORD	AUTH	DR.	CK.
12/16/06	A	ADDED "ROHS COMPLIANT"	T.B.	B.S.	
08/28/14	B	UPDATED TO ROHS 2 COMPLIANT	T.B.	B.S.	
02/17/17	C	UPDATED MATERIAL SPECIFICATION	T.B.	B.S.	



ITEM NO.	PART NAME	MATL. SPECIFICATION	CAT. NO.	APPROVED NO.
1	TIP CONTACT (+) TERMINAL	BRASS, NICKLE PLTD.		
2	SPRING	STEEL		
3	HOSE CAP	BAKELITE, BLACK	T385J	E59481(S)
4	(-) TERMINAL	STEEL LINE, NICKLE PLTD		
5	WASHER	BRASS, NICKLE PLTD.		
6	BODY	BAKELITE, BLACK		
7	STRAIN RELIEF	PVC, 70%		

NOTE:  
 MAXIMUM RATING: 10AMP.  
 ROHS 2 COMPLIANT

Tolerance (Inches)	 <b>Memory Protection Devices, Inc</b> 200 Broad Hollow Road, Farmingdale, New York 11735		
Decimal ±.5 (.020)	Scale	Drawn By B.S. Approved By T.B.	
Fractional ± .8 (.030)	Title CIGARETTE PLUG FOR 21 OR 22.2mm SOCKETS		
Angular ± 3°	Date 02/17/17	Drawing Number ZA1030	