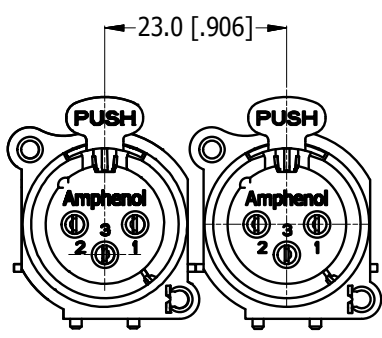
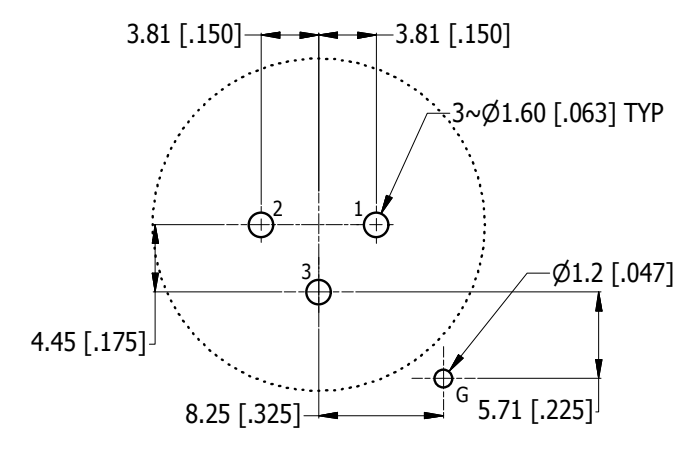
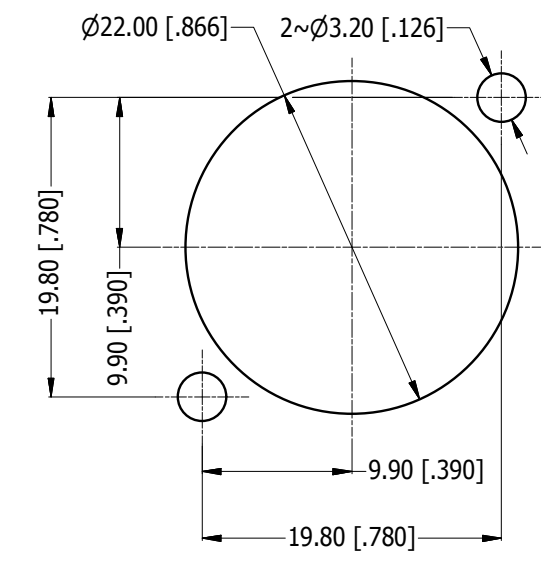
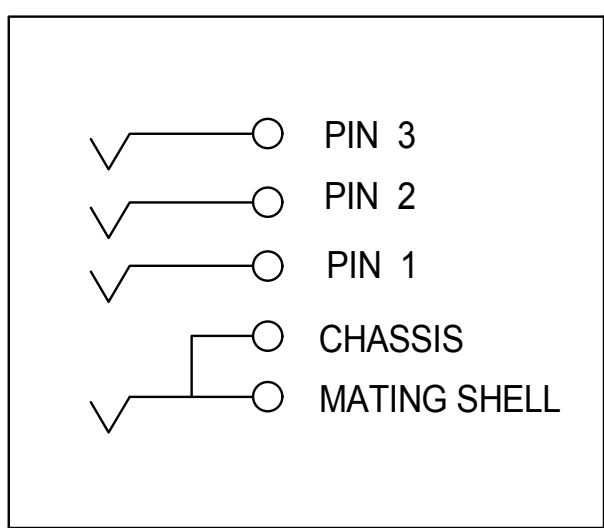
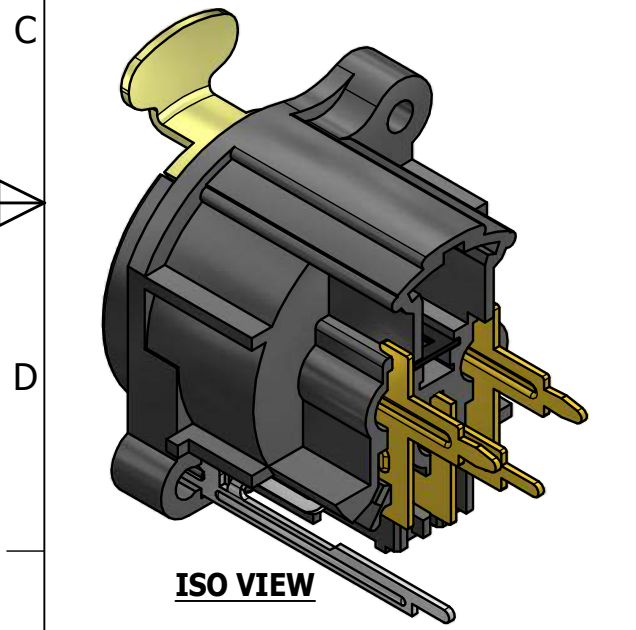
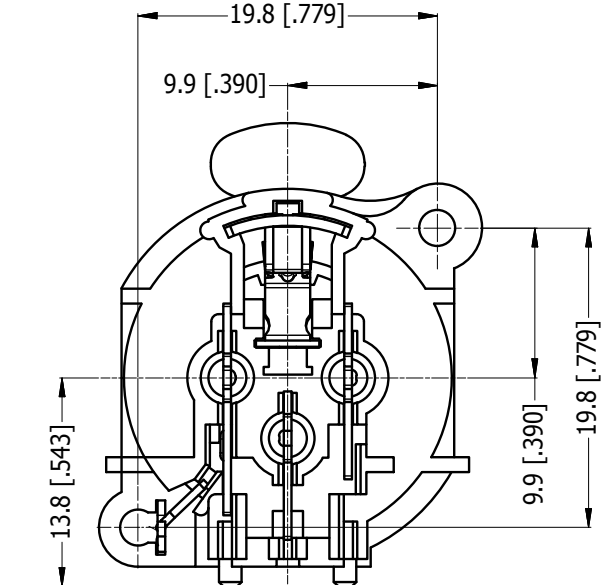
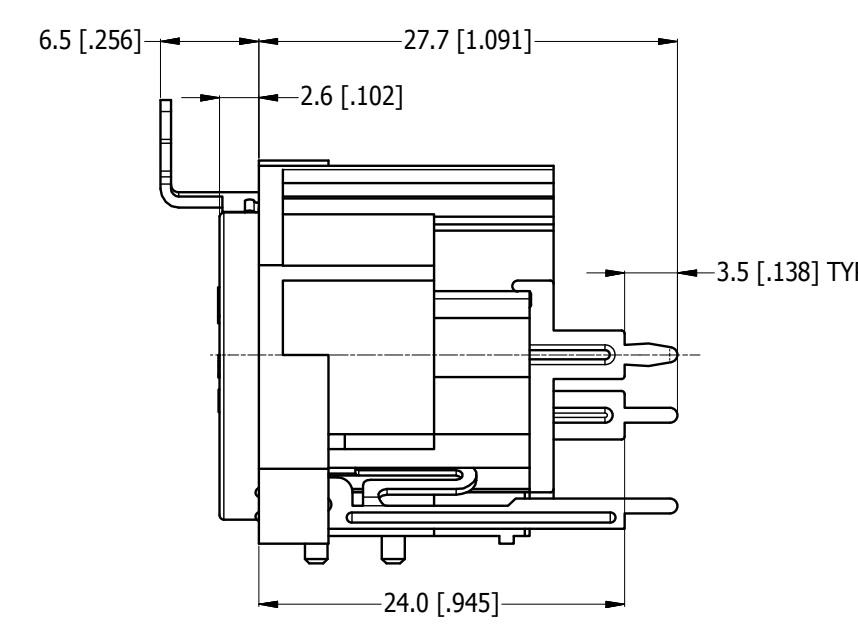
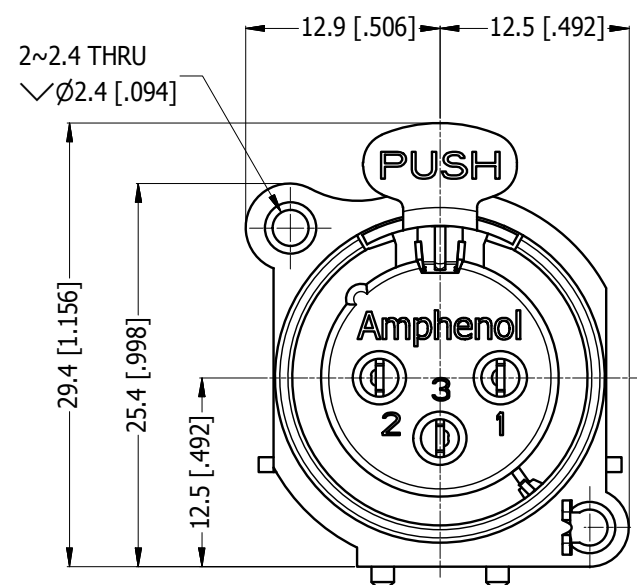
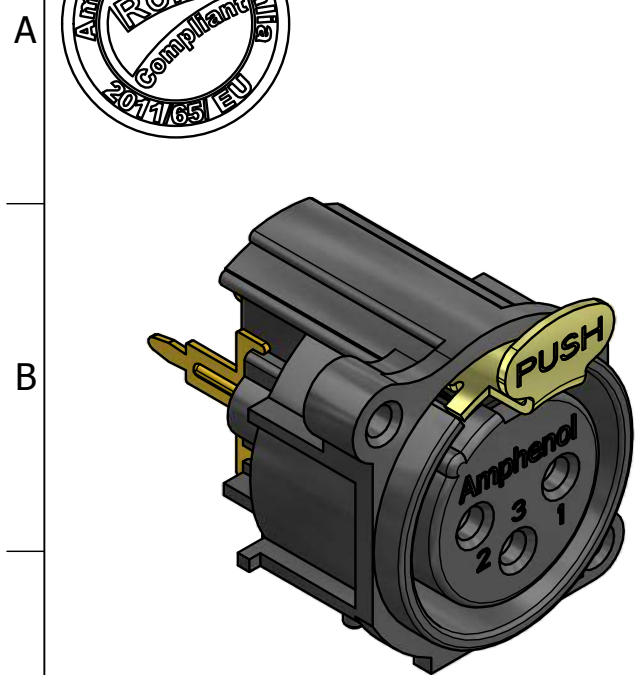


LEGEND = KEY PRODUCT CHARACTERISTICS



REVISION HISTORY				
REV	DESCRIPTION	DATE	BY	CHG/No
0	FIRST ISSUE	26/09/14	MH	---



SCHMATIC CHART

PANEL CUT OUT REAR VIEW

PCB-LAYOUT COMPONENT SIDE TOLERANCE: ± 0.05mm [.002"]

MIN MOUNTING PITCH SCALE 1:1

UNLESS OTHERWISE SPECIFIED TOLERANCE TO BE		THIS DOCUMENT IS THE PROPERTY OF AMPHENOL AUSTRALIA PTY. LTD. NO PART THEREOF MAY BE REPRODUCED AND USED WITHOUT THE PRIOR WRITTEN CONSENT OF THE OWNER				Amphenol Amphenol Australia Pty.Ltd. 22 Industry Blvd, Carrum Downs, VIC 3201	
LINEAR		ANGULAR		MATERIAL: REFER TO COMPONENT	DRN: MH	DATE: 26/09/14	TITLE: AC3FAV2-AU-PRE A-TYPE VERTICAL CUSTOMER DRAWING
X ±0.5	X' ±1	X.X' ±30'		BREAK ALL SHARP EDGES AND REMOVE ALL BURRS	CKD: M.H	DATE: 26/09/14	PART No: AC3FAV2-AU-PRE
X.XX ±0.2	X.X' ±15'	X.XXX ±0.1		DO NOT SCALE	APP'D: P.M	DATE: 26/09/14	DRAWING NO. 55011055-000-2
DIMENSIONS IN MILLIMETRES		THIRD ANGLE PROJECTION		SCALE: 2:1	SIZE: A3	CAD FILE 55011055000220	SHEET 2/2