

MATERIALS AND FINISHES

OUTER CONTACT: BRASS  
PLATED NICKEL OR GOLD

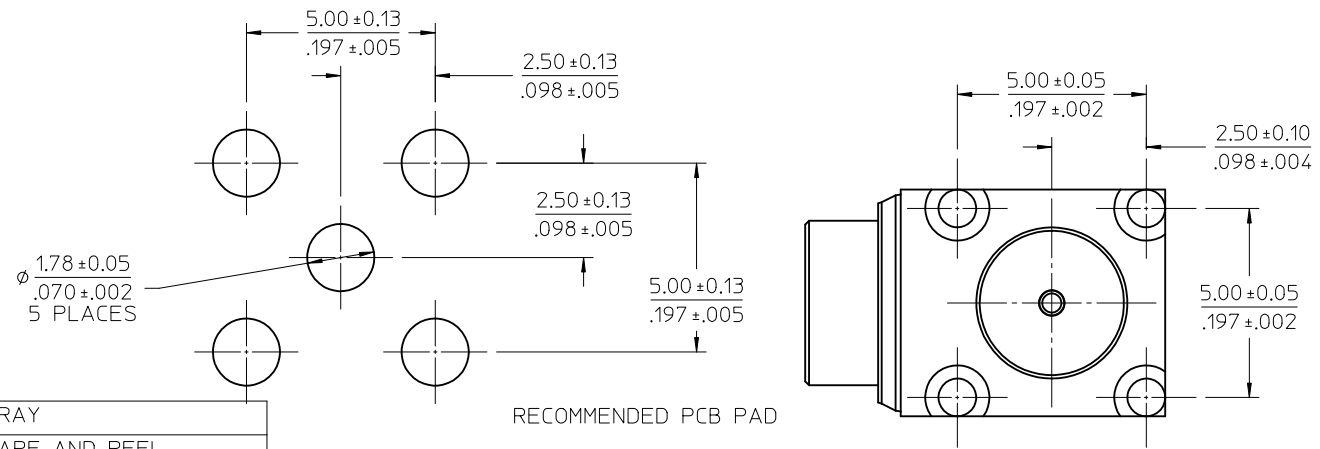
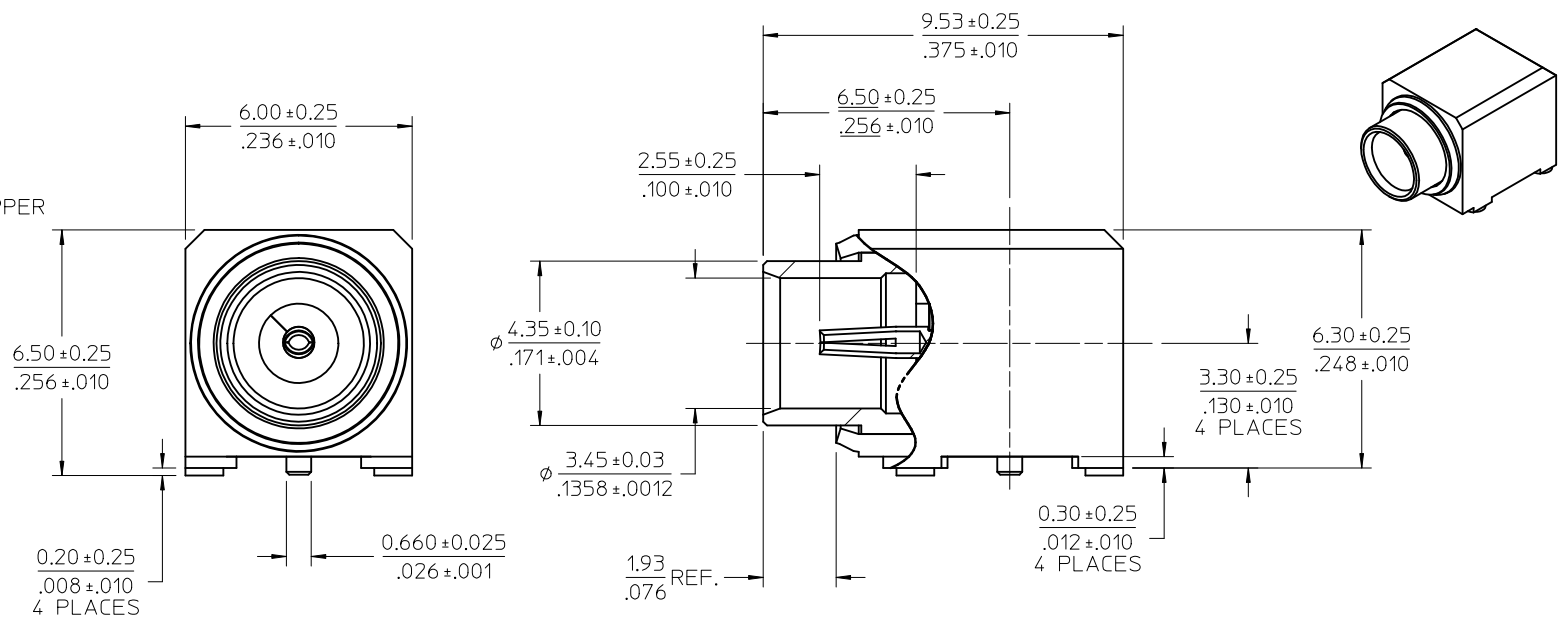
CENTER CONTACT: BERYLLIUM COPPER  
PLATED GOLD

INSULATOR  
TEFLON & ULTEM

HOUSING  
ZINC ALLOY,  
PLATED TRI-M OR GOLD

SPECIFICATION  
PS-73598-0132

PACKAGING  
TRAY OR TAPE AND REEL



73415-4335 (GOLD FLASH)	TRAY
73415-4334 (GOLD FLASH)	TAPE AND REEL
73415-4333 (GOLD PLATING)	TAPE AND REEL
73415-4332 (GOLD PLATING)	TRAY
73415-4331 (Ni/TRI-M)	TAPE AND REEL
73415-4330 (Ni/TRI-M)	TRAY
PART NUMBER	PACKAGING

ADDED P/N: 73415-4334/-4335 PER PDR110912	EC NO: URF2012-0192	DRWNLIN 2011/10/11
CHKD:	APPR:MHUANG	2011/10/25
DESCRIPTION		
A6		

QUALITY SYMBOLS	GENERAL TOLERANCES (UNLESS SPECIFIED)
▽=0	mm INCH
▽=0	4 PLACES ± --- ± ---
	3 PLACES ± --- ± ---
	2 PLACES ± --- ± ---
	1 PLACE ± --- ± ---
	ANGULAR ± 2 °

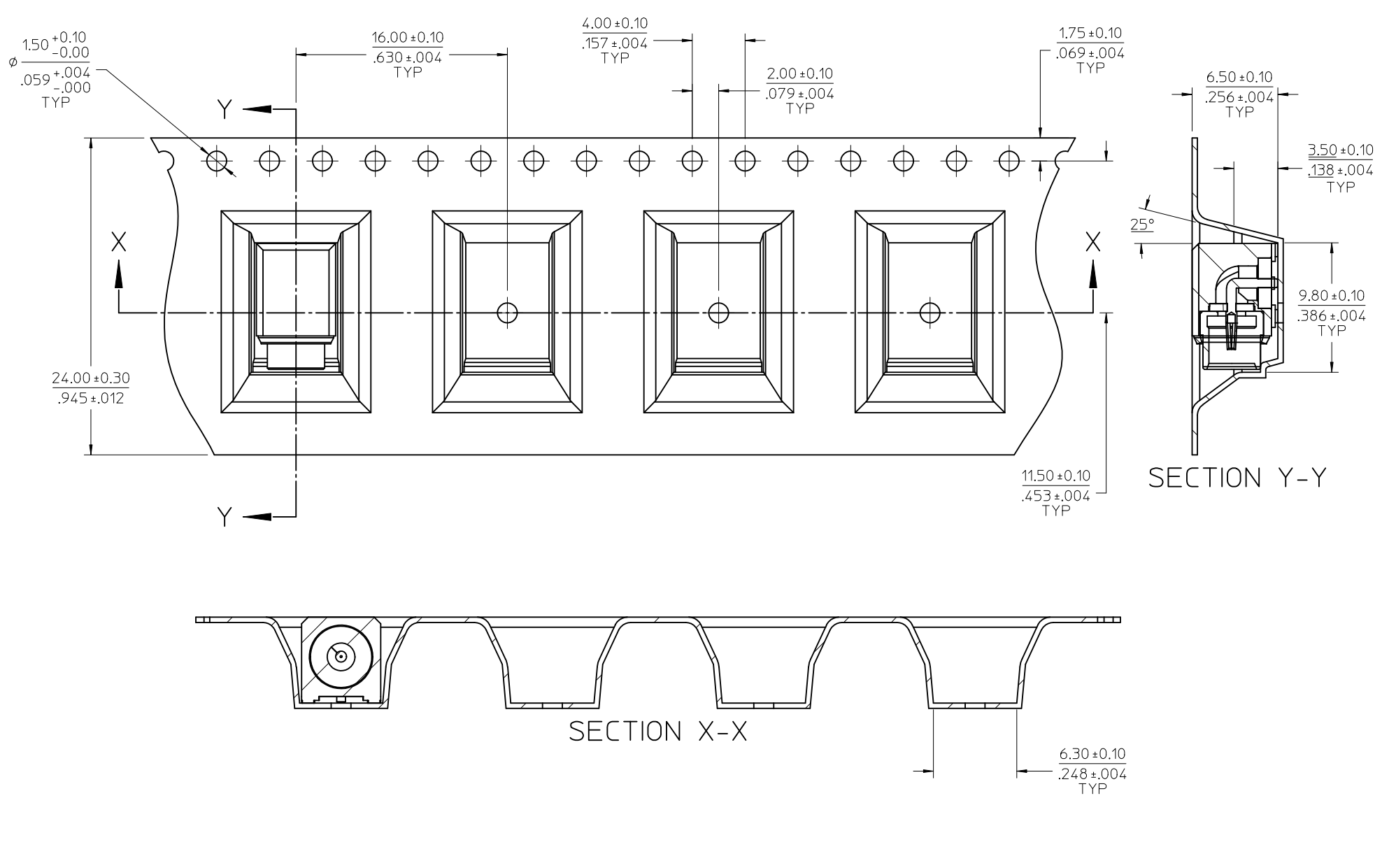
DRAWN BY	DATE
SSS	2004/04/30
CHECKED BY	DATE
TEF	2004/04/30
APPROVED BY	DATE
SSS	2004/04/30
MATERIAL NO.	DOCUMENT NO.
SEE TABLE	SD-73415-433

DIMENSION STYLE	SCALE	DESIGN UNITS	THIRD ANGLE PROJECTION
MM/IN		METRIC	
TITLE			
MCX JACK, R/A SMT TYPE			
75 OHMS			
MCX-J/RA/PCB			
MOLEX INCORPORATED			
SHEET NO. 1 OF 2			

DRAFT WHERE APPLICABLE MUST REMAIN WITHIN DIMENSIONS		THIS DRAWING CONTAINS INFORMATION THAT IS PROPRIETARY TO MOLEX INCORPORATED AND SHOULD NOT BE USED WITHOUT WRITTEN PERMISSION	
--	--	---	--

13 12 11 10 9 8 7 6 5 4 3 2 1

J I H G F E D C B A



<b>CHG: SEE SHEET 1</b> EC NO: URF2012-0192 DRWNLN: 2011/10/11 CHKD: APPR: MHIUANG 2011/10/25 DESCRIPTION	QUALITY SYMBOLS	GENERAL TOLERANCES (UNLESS SPECIFIED)	DIMENSION STYLE	SCALE	DESIGN UNITS	THIRD ANGLE PROJECTION
	$\nabla=0$ $\nabla=0$	mm INCH	MM/IN	METRIC		
		4 PLACES ± --- ± ---	DRAWN BY DATE	TITLE	MCX JACK, R/A SMT TYPE 75 OHMS MCX-J/RA/PCB	
		3 PLACES ± --- ± ---	SSS 2004/04/30	DATE	MOLEX INCORPORATED	
	2 PLACES ± --- ± ---	CHECKED BY DATE	TEF 2004/04/30	DOCUMENT NO.	SD-73415-433	
	1 PLACE ± --- ± ---	APPROVED BY DATE	SSS 2004/04/30	SHEET NO.	2 OF 2	
	ANGULAR ± 2 °	MATERIAL NO.	SEE TABLE	THIS DRAWING CONTAINS INFORMATION THAT IS PROPRIETARY TO MOLEX INCORPORATED AND SHOULD NOT BE USED WITHOUT WRITTEN PERMISSION		
		DRAFT WHERE APPLICABLE MUST REMAIN WITHIN DIMENSIONS	SIZE C			

MATERIALS AND FINISHES

OUTER CONTACT: BRASS  
PLATED NICKEL OR GOLD

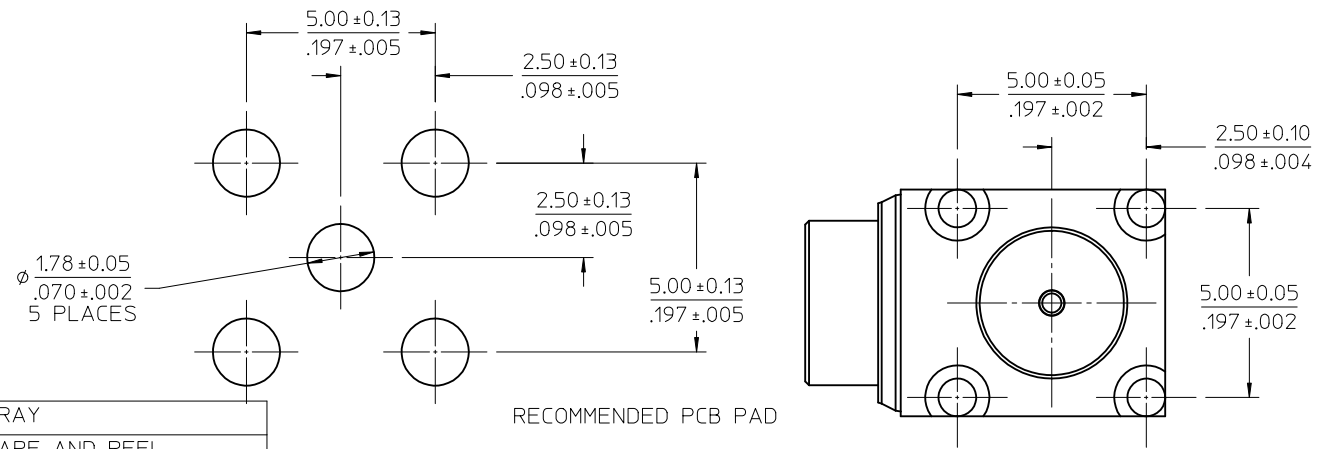
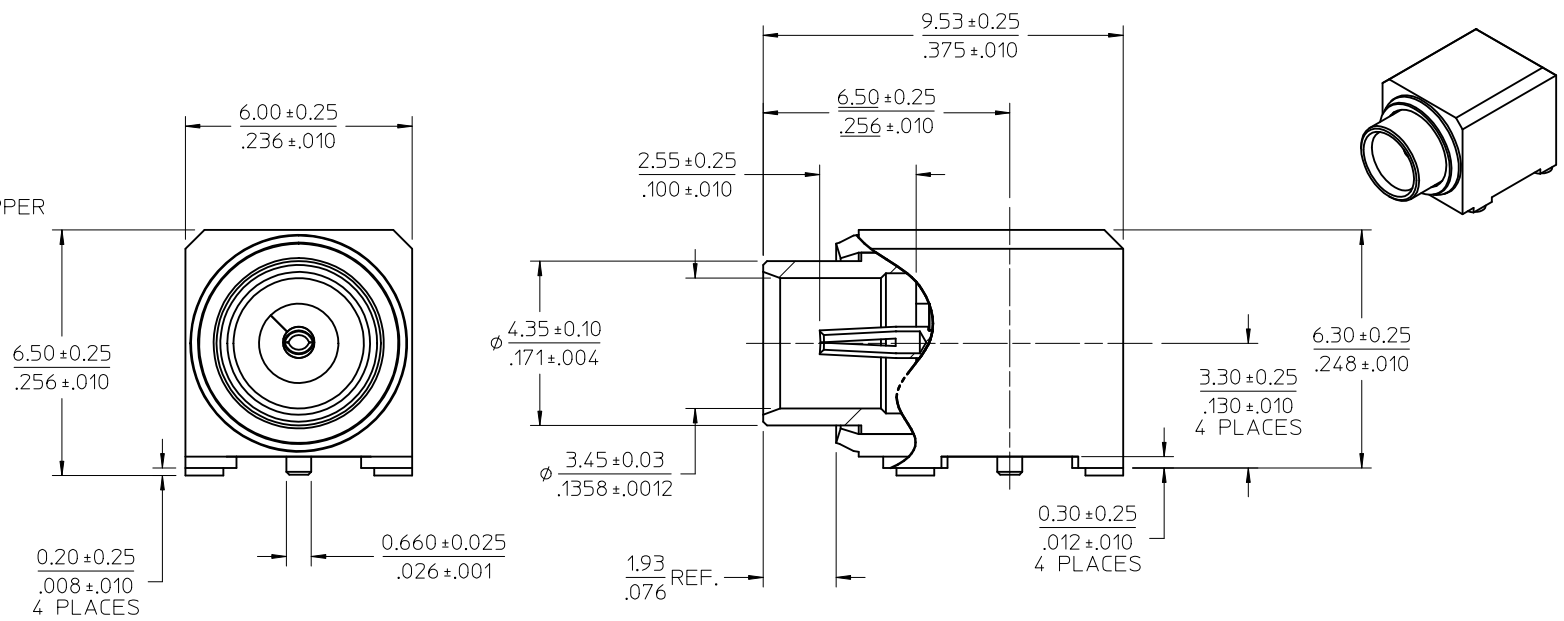
CENTER CONTACT: BERYLLIUM COPPER  
PLATED GOLD

INSULATOR  
TEFLON & ULTEM

HOUSING  
ZINC ALLOY,  
PLATED TRI-M OR GOLD

SPECIFICATION  
PS-73598-0132

PACKAGING  
TRAY OR TAPE AND REEL



73415-4335 (GOLD FLASH)	TRAY
73415-4334 (GOLD FLASH)	TAPE AND REEL
73415-4333 (GOLD PLATING)	TAPE AND REEL
73415-4332 (GOLD PLATING)	TRAY
73415-4331 (Ni/TRI-M)	TAPE AND REEL
73415-4330 (Ni/TRI-M)	TRAY
PART NUMBER	PACKAGING

ADDED P/N: 73415-4334/-4335 PER PDR110912	EC NO: URF2012-0192	DRWNLIN 2011/10/11	CHKD:	APPR:MHUANG	DESCRIPTION	2011/10/25
A6						REV

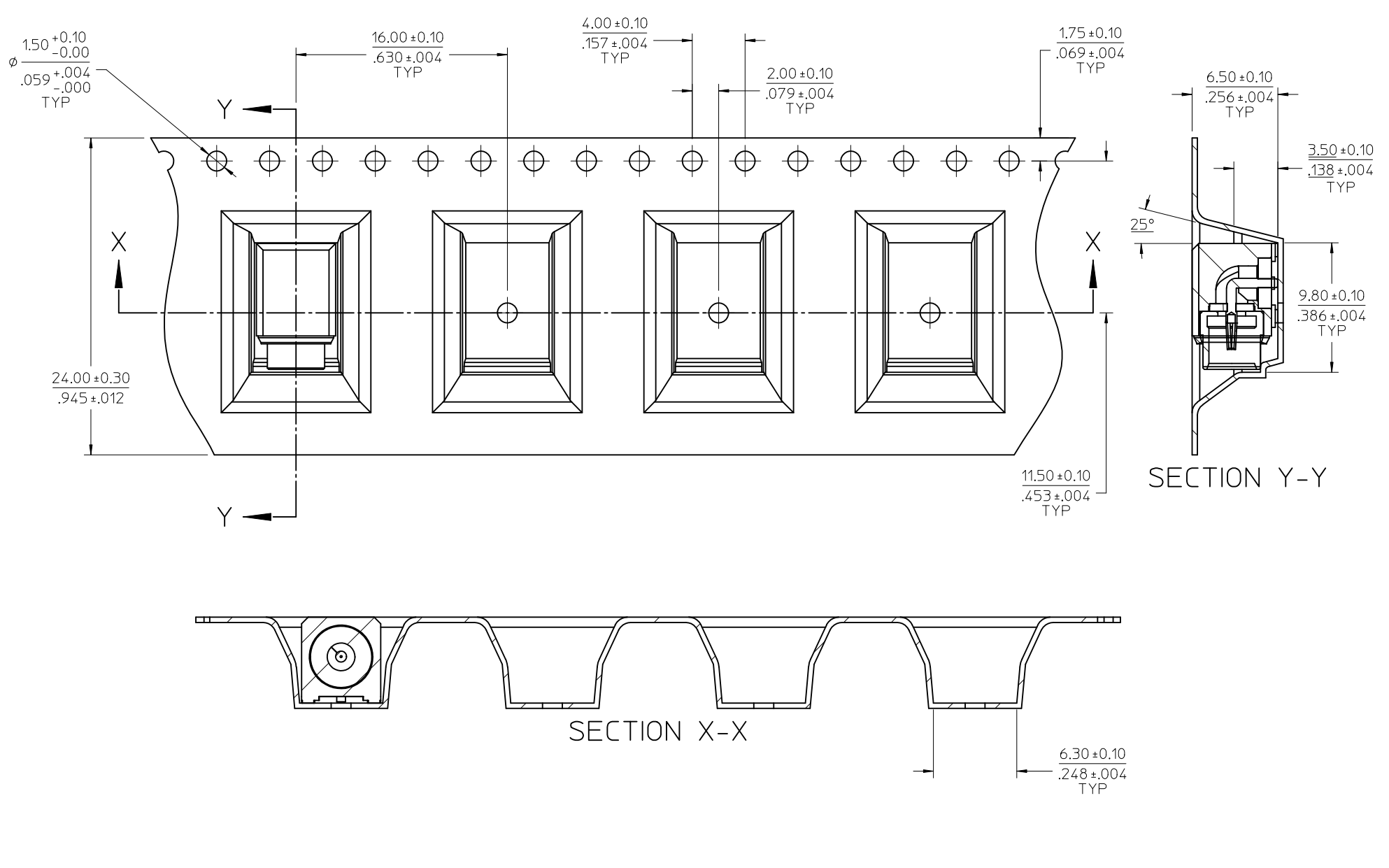
QUALITY SYMBOLS	GENERAL TOLERANCES (UNLESS SPECIFIED)
▽=0	mm INCH
▽=0	4 PLACES ± --- ± ---
	3 PLACES ± --- ± ---
	2 PLACES ± --- ± ---
	1 PLACE ± --- ± ---
	ANGULAR ± 2 °

DIMENSION STYLE	SCALE	DESIGN UNITS	THIRD ANGLE PROJECTION
MM/IN		METRIC	
DRAWN BY	DATE	TITLE	
SSS	2004/04/30	MCX JACK, R/A SMT TYPE	
CHECKED BY	DATE	75 OHMS	
TEF	2004/04/30	MCX-J/RA/PCB	
APPROVED BY	DATE		
SSS	2004/04/30		
MATERIAL NO.	DOCUMENT NO.		
SEE TABLE	SD-73415-433		
SIZE			
C			

DRAFT WHERE APPLICABLE MUST REMAIN WITHIN DIMENSIONS	THIS DRAWING CONTAINS INFORMATION THAT IS PROPRIETARY TO MOLEX INCORPORATED AND SHOULD NOT BE USED WITHOUT WRITTEN PERMISSION
--	---

13 12 11 10 9 8 7 6 5 4 3 2 1

J I H G F E D C B A



<b>CHG: SEE SHEET 1</b> EC NO: URF2012-0192 DRWNLIN 2011/10/11 CHKD: APPR: MHIUANG 2011/10/25 DESCRIPTION	QUALITY SYMBOLS	GENERAL TOLERANCES (UNLESS SPECIFIED)	DIMENSION STYLE	SCALE	DESIGN UNITS	THIRD ANGLE PROJECTION
	$\nabla=0$ $\nabla=0$	mm INCH	MM/IN	METRIC		
		4 PLACES ± --- ± ---	DRAWN BY DATE	TITLE	MCX JACK, R/A SMT TYPE 75 OHMS MCX-J/RA/PCB	
		3 PLACES ± --- ± ---	SSS 2004/04/30	SEE TABLE	MOLEX INCORPORATED SD-73415-433	
	2 PLACES ± --- ± ---	CHECKED BY DATE		DOCUMENT NO.	SHEET NO.	
	1 PLACE ± --- ± ---	TEF 2004/04/30			2 OF 2	
		APPROVED BY DATE				
		SSS 2004/04/30				
		MATERIAL NO.				
		ANGULAR ± 2 °				
		DRAFT WHERE APPLICABLE MUST REMAIN WITHIN DIMENSIONS				
			SIZE			
			C			