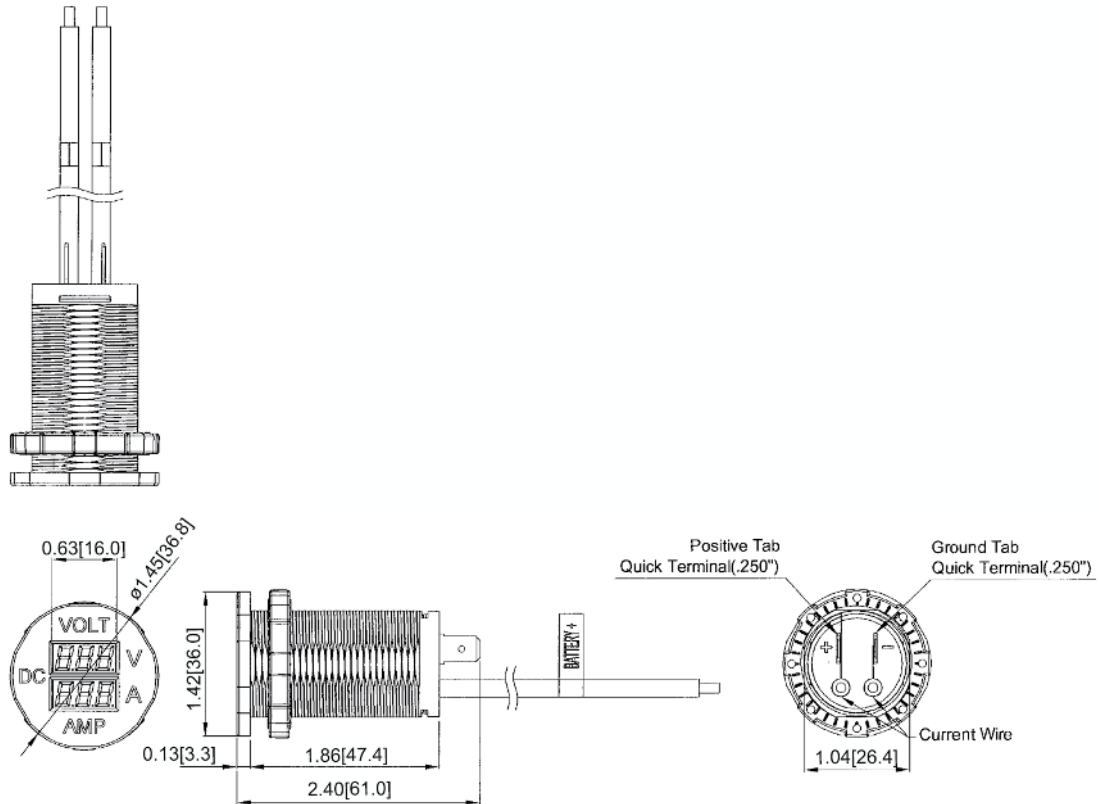
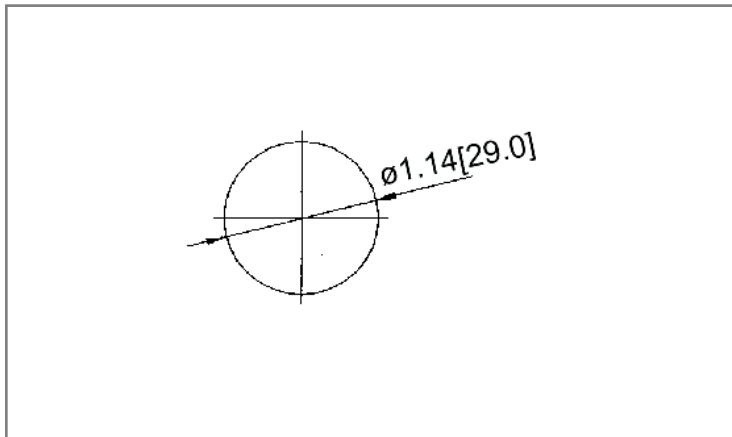


**Mechanical Dimensions: Inches [mm]**

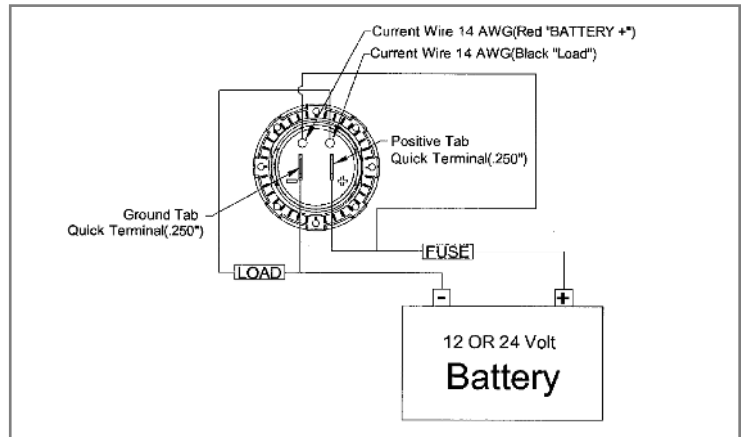
Tolerances  $\pm 0.012$  [0.3] Unless Otherwise Specified



**Mounting Hole**



**Circuit Diagram**



**Electrical Specifications**

|                          |  |
|--------------------------|--|
| <b>Input Rating</b>      | 7V-33VDC   |
| <b>Measuring Range</b>   | 7V-33VDC / 0A-25A                                |
| <b>Voltage Tolerance</b> | 1% (12V $\pm$ 0.1V, 24V $\pm$ 0.2V)              |
| <b>Current Tolerance</b> | 5% (1A $\pm$ 0.1A, 10A $\pm$ 0.5A, 20A $\pm$ 1A) |
| <b>Surge Protection</b>  | 400W/35V   |
|                          | Reverse Polarity Protection                      |

**Material Specifications**

|                              |  |
|------------------------------|--|
|                              | 3 Digital LED Display, Red             |
| <b>Housing</b>               | Nylon with Fiberglass (UL94-HB), Black |
| <b>Operating Temperature</b> | -20°C ~ 50°C                           |

**Rev      Date of issue      Revision Notes**

**Designed      Approved**

|   |            |                 |    |    |
|---|------------|-----------------|----|----|
| A | 12-03-2020 | Initial Drawing | RC | OF |
|---|------------|-----------------|----|----|