

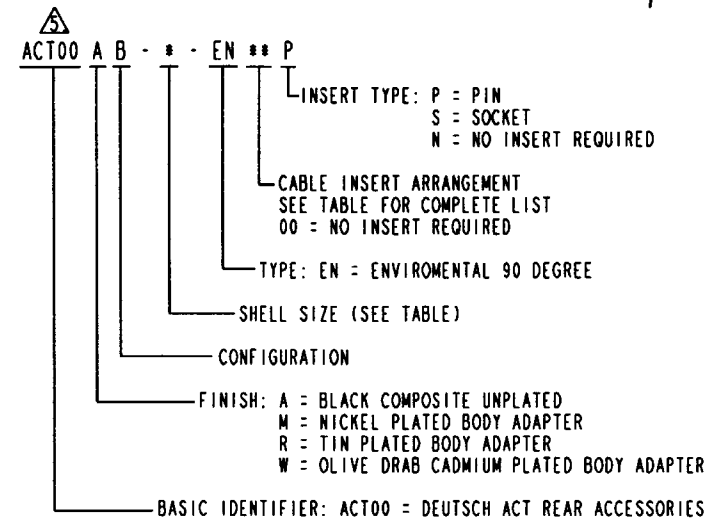
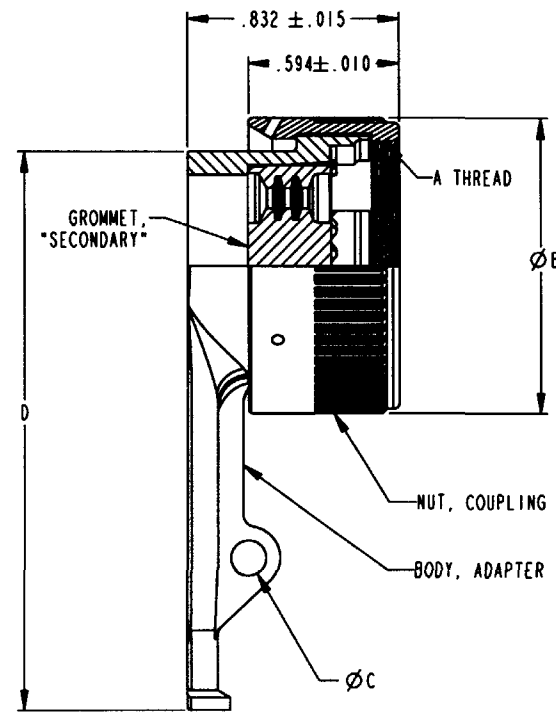
PROPERTY OF DEUTSCH E.C.D.

This drawing contains proprietary information that shall not be disclosed, duplicated, nor used in whole or in part for any purpose other than to evaluate this drawing.

D ACT00\*B-\*\*-EN\*\*\*

REVISIONS			
REV	DESCRIPTION	DATE	APPROVED
D	REDRAWN PER E.O. C4837	3-9-01	[Signature]

CABLE CODE	INSERT ARRANGEMENT	CABLE CODE	INSERT ARRANGEMENT
38	09-35	61	23-21
39	09-98	62	23-35
40	11-05	63	23-53
41	11-35	64	23-55
42	11-99	65	25-04
43	13-04	66	25-19
44	13-35	67	25-20
45	13-98	68	25-24
46	15-05	69	25-29
47	15-18	70	25-35
48	15-35	71	25-61
49	15-97	92	11-98
50	17-06	93	15-19
51	17-08	94	13-08
52	17-26	95	17-99
53	17-35	96	21-39
54	19-11	97	25-43
55	19-32	98	15-23
56	19-35	99	17-19
57	21-11	100	15-26
58	21-16		
59	21-35		
60	21-41		



DEUTSCH PART NUMBER ***	SHELL SIZE	A THREAD	B Ø ±.015	C Ø ±.010	D ±.020
ACT00*B-A-EN***	A	M12X1.0-6H 0.100R	.650	.140	1.948
ACT00*B-B-EN***	B	M15X1.0-6H 0.100R	.775	.140	2.010
ACT00*B-C-EN***	C	M18X1.0-6H 0.100R	.905	.140	2.075
ACT00*B-D-EN***	D	M22X1.0-6H 0.100R	1.030	.140	2.135
ACT00*B-E-EN***	E	M25X1.0-6H 0.100R	1.160	.140	2.198
ACT00*B-F-EN***	F	M28X1.0-6H 0.100R	1.270	.140	2.258
ACT00*B-G-EN***	G	M31X1.0-6H 0.100R	1.400	.140	2.320
ACT00*B-H-EN***	H	M34X1.0-6H 0.100R	1.525	.140	2.383
ACT00*B-J-EN***	J	M37X1.0-6H 0.100R	1.655	.140	2.445

- △ FOR PART NUMBER BREAKDOWN, SEE TABLE.
- RECOMMENDED TORQUE: SHELL SIZES A-E : 20-30 IN./LBS.  
SHELL SIZES F-J : 35-45 IN./LBS.
  - MATERIAL: COUPLING NUT: COMPOSITE  
ADAPTER BODY: COMPOSITE  
SECONDARY GROMMET: SILICONE ELASTOMER
  - CONSULT FACTORY FOR AVAILABILITY.
  - ALL DIMENSIONS ARE IN INCHES UNLESS OTHERWISE SPECIFIED.  
THREAD CALLOUTS ARE METRIC.

SIGNATURE & DATE	
DR	A. RASMUSSEN 20FEB01
CHK	[Signature] 3-9-01
PE	[Signature] 3-9-01
APPD	[Signature] 3-20-01
SCALE	NONE WT

**STRAIN RELIEF**  
90 DEGREE ONE ARM STYLE  
LIGHT DUTY  
ACT SERIES  
ENVELOPE

MATERIAL CODE	
CP	DEUTSCH
ENGINEERED CONNECTING DEVICES	
5733 W. Whittier Ave.	
Hemet, California	
A ACT00*B-**-EN***	
SIZE	SHEET 1 OF 1