

TPS26630-33EVM: Evaluation Module for TPS2663x

This user's guide describes the evaluation module (EVM) for the Texas instruments TPS2663 family of eFuse devices: TPS26630, TPS26631, TPS26632, TPS26633 and TPS26635. The document provides EVM configuration information and test setup details for evaluating TPS2663 eFuse devices with the EVM. The EVM schematic, board layout and bill of materials (BOM) are also included.

NOTE: The EVM is configured for evaluating TPS26630RGE and TPS26633RGE devices without any modification. TPS26631RGE can be evaluated on this EVM by replacing the TPS26630RGE (U1). TPS26632RGE and TPS26635RGE can be evaluated by replacing TPS26633RGE (U2) with the TPS26632RGE or TPS26635RGE. Instructions for evaluation are listed in [Section 3.4.8](#).

Contents

1	Introduction	2
2	Description	3
3	General Configurations	4
4	EVM Board Assembly Drawings and Layout	14
5	Schematics	16
6	Bill of Materials	17

List of Figures

1	EVM Test Setup	6
2	Output Voltage Start-Up Waveform	8
3	Output Short-Circuit Protection	10
4	+500-V Surge Protection [$C_{OUT} = 2 \text{ mF}$, $R_{LOAD} = 6 \text{ } \Omega$, $V_{IN} = 24 \text{ V}$, $I_{LIM} = 4.5 \text{ A}$, Peak Pulse Power = 12 kW] ..	11
5	–500-V Surge Protection [$C_{OUT} = 2 \text{ mF}$, $R_{LOAD} = 6 \text{ } \Omega$, $V_{IN} = 24 \text{ V}$, $I_{LIM} = 4.5 \text{ A}$, Peak Pulse Power = 9.4 kW] .	12
6	+2-kV EFT Protection [$C_{OUT} = 1 \text{ } \mu\text{F}$, $R_{LOAD} = 4.8\text{-}\Omega$, $V_{IN} = 24 \text{ V}$, $I_{LIM} = 6 \text{ A}$]	13
7	–2-kV EFT Protection [$C_{OUT} = 1 \text{ } \mu\text{F}$, $R_{LOAD} = 4.8 \text{ } \Omega$, $V_{IN} = 24 \text{ V}$, $I_{LIM} = 6 \text{ A}$]	13
8	Top Side Placement	14
9	Top Layer	15
10	Bottom Layer.....	15
11	TPS26630-33EVM Schematic.....	16

List of Tables

1	SVHC Summary	2
2	TPS26630-33EVM Options and Setting	3
3	Input and Output Connector Functionality	4
4	Test Points Description	4
5	Jumper and LED Descriptions	4
6	Power Supply Setting for the TPS26630-33EVM.....	7
7	Default Jumper Setting for the TPS26630-33EVM	7
8	TPS26630-33EVM DMM Readings at Different Test Points.....	7
9	TPS26630-33EVM Oscilloscope Setting for the Output Voltage Start-Up Test	8
10	TPS26630-33EVM Jumper Setting for Current Limits	9

11	TPS26630-33EVM Output Short-Circuit Protection Test	10
12	TPS26630-33EVM Bill of Materials	17

Trademarks

All trademarks are the property of their respective owners.

1 Introduction

The TPS26630-33EVM allows reference circuit evaluation of TI's TPS2663x eFuse devices. The TPS2663x are 4.5-V to 60-V, 0.6-A to 6-A industrial eFuses with integrated 31-mΩ FET, programmable undervoltage, overvoltage, reverse-polarity protection with external N-channel FET driver, overcurrent, inrush current protection and output current monitoring features. It features a blocking FET driver that controls an external N-channel FET for input reverse polarity protection and reverses current blocking.

1.1 REACH Compliance

In compliance with the Article 33 provision of the EU REACH regulation, we are notifying you that this EVM includes a component containing at least one substance of very high concern (SVHC) above 0.1%. These uses from Texas Instruments do not exceed 1 ton per year. The SVHC summary is listed in [Table 1](#)

Table 1. SVHC Summary

Component Manufacturer	Component type	Component part number	SVHC Substance	SVHC CAS (when available)
Diodes Inc.	Diode	SMCJ33CA-13-F	Lead	7439-92-1

1.2 EVM Features

The TPS26630-33EVM features include:

- 4.5-V to 60-V input operating voltage range
- 0.6-A to 6-A programmable current limit
- Reverse polarity protection up to –60 V with external N-Channel MOSFET
- Output Power Limiting Scheme (PLIM)
- Load protection from Surge and EFT (IEC61000-4-5 Level 1 and IEC61000-4-4 Level 3).
- Programmable input UVLO and OVP cut off – 18 V and 33 V respectively
- Fixed Overvoltage Clamp (Channel 2 only) – 35-V fixed
- Programmable V_{OUT} slew rate control
- Selectable Overcurrent fault response (Auto-Retry and Latch)
- Optional on-board transient protection devices like input TVS and output Schottky diodes
- 33-V SMC TVS for surge protection
- On-board reset switch and fault indicators

1.3 Applications

- PLC, CNC
- Medical Equipment
- Control and Automation
- Industrial power systems
- Sensors Hubs

2 Description

The TPS26630-33EVM enables full evaluation of the TPS2663x devices. This EVM has two independent channels (CH1 and CH2) where two devices can be evaluated together. CH1 is configured to test OVP cut-off versions TPS26630, TPS26631 and CH2 is configured to test OV clamp and power limit versions TPS26632 and TPS26633. Input power is applied at T1 (CH1) and T3 (CH2) while T2 (CH1) and T4 (CH2) provide the output connections to the load respectively. Refer to the schematic in [Figure 11](#) and EVM test setup in [Figure 1](#). S1 and S2 allow U1 and U2 to be reset or disabled and Jumper J4 and J10 allow current limit setting to be changed.

S1 and S2 allows U1 and U2 to RESET. A fault (FLTb) indicator is provided by D1 and D6 for CH1 and CH2, respectively. Scaled current for each channel can be monitored at TP8 and TP17 with a scaling factor of 0.83 V / A.

Table 2. TPS26630-33EVM Options and Setting

Part Number	EVM Function	V _{IN} Range	UVLO		OVP		Current Limit		Versions Available
			CH1	CH2	CH1	CH2	Minimum Setting	Maximum Setting	
TPS26630-33EVM	4.5-V to 60-V, 0.6-A to 6-A Industrial eFuse	4.5 V to 60 V	18 V	18 V	33-V OV Cutoff	35-V OV Clamp	0.6 A	6 A	Auto retry Latch off Current Limit Circuit Breaker Power Limit

3 General Configurations

3.1 Physical Access

Table 3 lists the TPS26630-33EVM input and output connector functionality, Table 4 describes the test point availability and Table 5 describes the jumper functionality.

Table 3. Input and Output Connector Functionality

Connector	Label	Description
T1	CH1	VIN1(+), GND(-)
T2		VOUT1(+), GND(-)
T3	CH2	VIN2(+), GND(-)
T4		VOUT2(+), GND(-)

NOTE: For testing with continuous input voltage greater than 33 V, remove TVS diode D2 (for CH1) and D7 (for CH2) and install diodes of appropriate voltage rating.

For testing with continuous input voltage greater than 50 V, diodes D2 and D7 and capacitors C3 and C7 have to be replaced with diodes and capacitors of appropriate voltage rating.

Table 4. Test Points Description

Channel	Test Points	Label	Description
CH1	TP1	FLTb1	CH1 fault indicator
	TP2	SHDNb1	CH1 shutdown input
	TP3	VIN_SYS1	CH1 system power supply input
	TP4	VOUT1	CH1 output voltage
	TP5, TP6, TP7	GND	GND
	TP8	IMON1	CH1 output current monitor
	TP9	VIN1	CH1 voltage after reverse current blocking FET
	TP19	PGOOD1	CH1 output power good
CH2	TP10	FLTb2	CH2 fault indicator
	TP11	SHDNb2	CH2 shutdown input
	TP12	VIN_SYS2	CH2 system power supply input
	TP13	VOUT2	CH2 output voltage
	TP14, TP15, TP16	GND	GND
	TP17	IMON2	CH2 output current monitor
	TP18	VIN2	CH2 voltage after reverse current blocking FET
	TP20	PGOOD2	CH2 output power good

Table 5. Jumper and LED Descriptions

Jumper	Label	Description
J1	J1	CH1 fault LED pulled to VIN1, if installed
J2	J2	CH1 output power good indicator LED pulled to VOUT1, if installed
J3	J3	CH1 UVLO setting Sets internal UVLO (15 V), if installed

Table 5. Jumper and LED Descriptions (continued)

Jumper	Label	Description
J4	J4	CH1 current limit setting 1-2 position sets 6 A 3-4 position sets 4.5 A 5-6 position sets 2 A 7-8 position sets 1 A 9-10 position sets 0.6 A
J5	J5	CH1 MODE selection Open position sets latch-off mode Closed position sets auto-retry mode
J6	J6	CH1 OVP setting Sets internal OVP (33 V), if installed
J7	J7	CH2 fault LED pulled to VIN1, if installed
J8	J8	CH2 output power good indicator LED pulled to VOUT1, if installed
J9	J9	CH2 UVLO setting Sets internal UVLO (15 V), if installed
J10	J10	CH2 current limit setting 1-2 position sets 6 A 3-4 position sets 4.5 A 5-6 position sets 2 A 7-8 position sets 1 A 9-10 position sets 0.6 A
J11	J11	CH2 MODE selection Open position sets latch-off mode Closed position sets auto-retry mode
J12	J12	CH2 PLIM setting Disables power limiting, if installed
D1, D6 (RED-LED)	Fault LED	CH1, CH2 fault indicators, respectively. LED turns on when the internal MOSFET is disabled due to any fault condition such as undervoltage, overvoltage, overload, short circuit, reverse current, and thermal shutdown.
D5, D10 (GREEN-LED)	Output power indicator	CH1, CH2 output power good indicators, respectively. LED turns on whenever the output voltage is above programmed power good threshold 12V.

3.2 Test Equipment

3.2.1 Power Supplies

One adjustable power supply: 0-V to 60-V output, 0-A to 8-A output current limit. UCS 500N for generating Surge and EFT pulses.

3.2.2 Meters

One DMM minimum needed and may require more if simultaneous measurements are required.

3.2.3 Oscilloscope

A DPO2024, or equivalent. Three 10x voltage probes and one DC current probe.

3.2.4 Loads

One resistive load which can tolerate up to 8-A DC load at 24 V.

NOTE: A resistive load is recommended for testing. If an electronic load is used, ensure that the output load is set in the constant resistance (CR) mode, not in the constant current (CC) mode.

3.3 Test Setup

Figure 1 shows the typical test setup for the TPS26630-33EVM. Connect T1/T3 to the power supply and T2/T4 to the load.

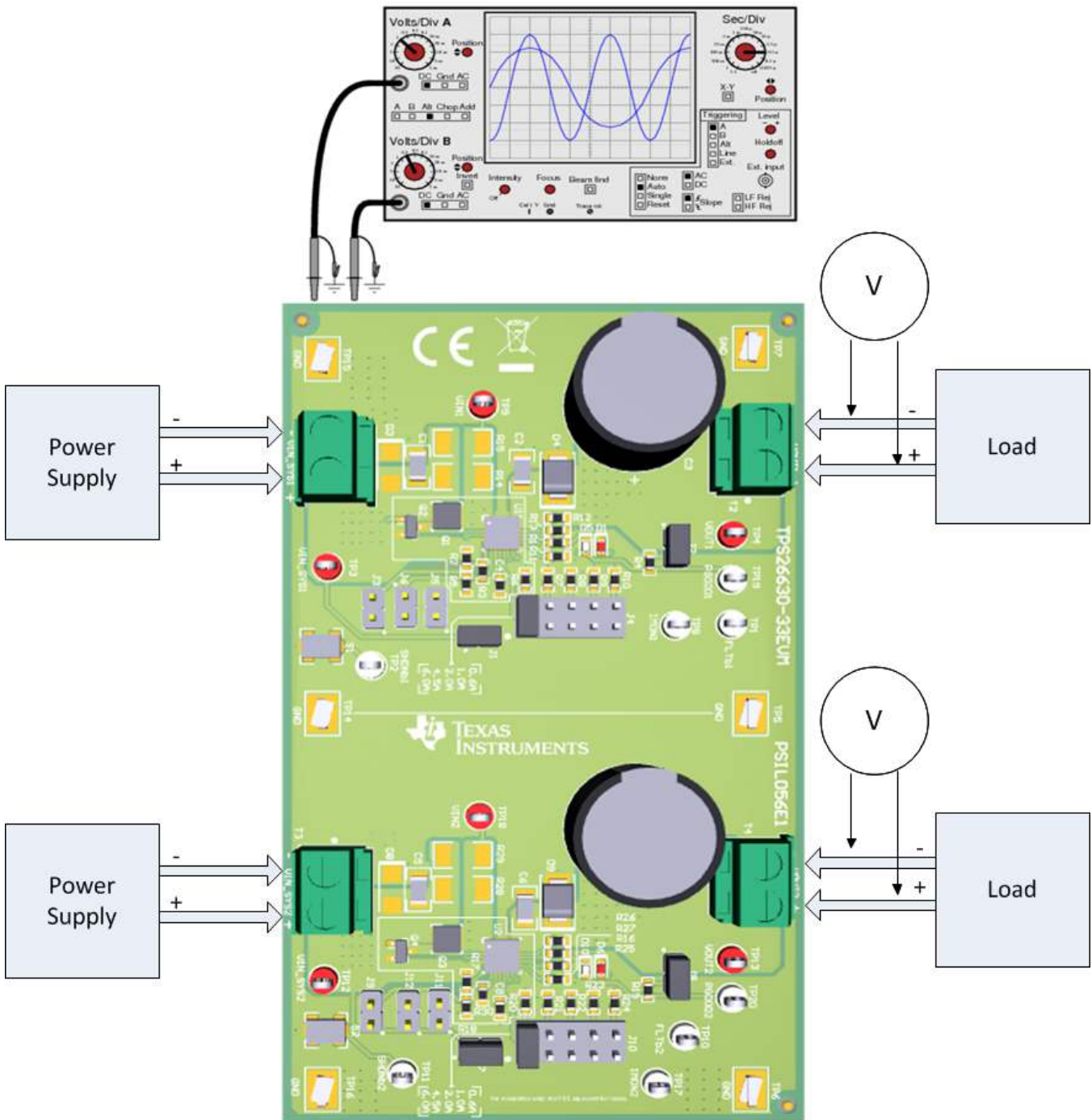


Figure 1. EVM Test Setup

3.4 Test Procedure

NOTE: CH1 and CH2 can be tested one by one with a single power supply and the load.

3.4.1 Preliminary Tests

1. Turn on the power supply and set the output voltage and the current limit according to [Table 6](#).

Table 6. Power Supply Setting for the TPS26630-33EVM

EVM	Channel	Voltage Set Point	Power Supply Current Limit
TPS26630-33EVM	CH1	24 V	8 A
	CH2	24 V	8 A

2. Turn on the load and set the load resistance to $24\ \Omega \pm 1\ \Omega$.
3. Disable the power supply, load and hook up the TPS26630-33EVM assembly as shown in [Figure 1](#)
4. Make sure the default evaluation board jumper settings are as shown in [Table 7](#).

Table 7. Default Jumper Setting for the TPS26630-33EVM

	J1	J2	J3	J4	J5	J6
CH1	Install	Install	Do not Install	1-2	Do not Install	Do not Install
	J7	J8	J9	J10	J11	J12
CH2	Install	Install	Do not Install	1-2	Do not Install	Do not Install

5. Enable the power supply and the load.
6. Connect the negative probe of the DMM to test point TP5 or TP14, the positive probe to the respective test points, and verify that the voltages shown in [Table 8](#) are obtained.

Table 8. TPS26630-33EVM DMM Readings at Different Test Points

Voltage test on (CH1)	Measured Voltage Reading	Voltage test on (CH2)	Measured Voltage Reading
VIN_SYS1 (TP3)	24 V ± 1 V DC	VIN_SYS2 (TP12)	24 V ± 1 V DC
VOUT1 (TP4)	24 V ± 1 V DC	VOUT2 (TP13)	24 V ± 1 V DC
IMON1 (TP8)	0.83 V ± 0.2 V DC	IMON2 (TP17)	0.83 V ± 0.2 V DC
FLTb1 (TP1)	22.6 V ± 0.5 V DC	FLTb2 (TP10)	22.6 V ± 0.5 V DC
SHDNb1 (TP2)	2.7 V ± 0.5 V DC	SHDNb2 (TP11)	2.7 V ± 0.5 V DC

7. Press the CH1/CH2 shutdown switch S1/S2 and verify the CH1/CH2 output voltage VOUT1/VOUT2 drops to zero. Release the S1/S2 switch and verify the output voltage resumes to nominal 24-V ± 1 V.
8. Disable the power supply and the load.

3.4.2 UVLO, OVP Tests

Follow the instructions to verify undervoltage and overvoltage levels of the device:

1. Set the load resistance to $24\text{-}\Omega \pm 1\ \Omega$ and the power supply voltage to 24 V. Enable the power supply and the load.
2. Increase the CH1 input voltage (VIN1) and monitor the output voltage (VOUT1). Verify that VOUT1 increases as VN1 increases and drops to zero when VIN1 exceeds 33-V ± 1 V (CH1 OVP limit).
3. Reduce the CH1 input voltage and verify that the output turns on at 31-V ± 1 V.
4. Further reduce the CH1 input voltage and verify that VOUT1 reduces as VN1 reduces and drops to zero when VIN1 falls below 18-V ± 1 V (CH1 UVLO limit).
5. Increase the CH2 input voltage (VIN2) and monitor the output voltage (VOUT2). Verify that VOUT2 increases as VN2 increases and clamps to 35 V when VIN2 exceeds 35-V ± 1 V (CH2 OV Clamp limit).

6. Reduce the CH2 input voltage and verify that the output turns on at 33-V \pm 1 V.
7. Further reduce the CH2 input voltage and verify that VOUT2 reduces as VN2 reduces and drops to zero when VIN2 falls below 18-V \pm 1 V (CH2 UVLO limit).
8. Verify that CH1 and CH2 FLTb red LEDs (D1/D6) turn on whenever the supply voltage reaches either OVP or UVLO limits of the respective channels.
9. Disable the power supply and the load.

3.4.3 Output Voltage Start-Up Time Test

Follow the instructions to verify the individual channels output voltage start-up time:

1. Set up the oscilloscope as listed in [Table 9](#).
2. Set the load resistance to 12- Ω \pm 1 Ω and the power supply voltage to 24 V.
3. Enable the load.
4. Enable the power supply and verify that the output voltage startup waveform is as shown in [Figure 2](#).

Table 9. TPS26630-33EVM Oscilloscope Setting for the Output Voltage Start-Up Test

Oscilloscope Setting	CH1 Probe Points	CH2 Probe Points
Channel 1 = 10 V / div	VIN_SYS1 (TP3)	VIN_SYS2 (TP12)
Channel 2 = 10 V / div	VOUT1 (TP4)	VOUT2 (TP13)
Channel 3 = 20 V / div	PGOOD1 (TP19)	PGOOD2 (TP20)
Channel 4 = 1 A / div	Input current into T1 +Ve wire	Input current into T3 +Ve wire
Trigger source = Channel 1		
Trigger level = 12-V \pm 1 V		
Trigger polarity = Rising		
Trigger mode = Single		
Time base	5 ms / div	

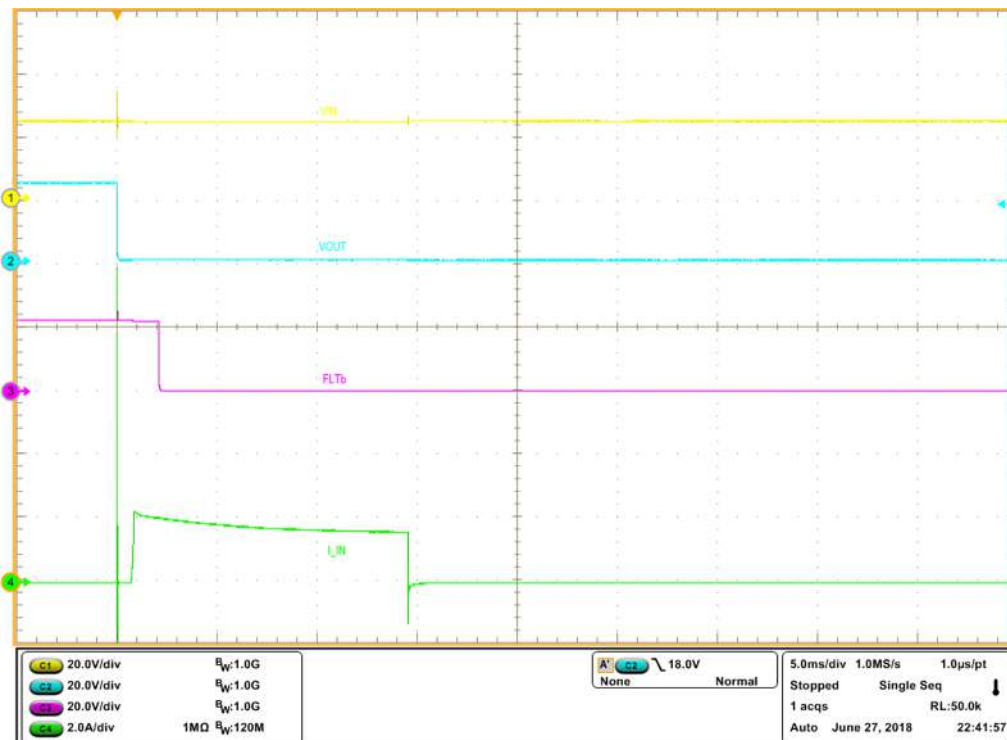


Figure 2. Output Voltage Start-Up Waveform

3.4.4 Current Limit and Fault Responses Test

Follow the instructions to verify the current limit and various fault response modes like auto-retry and latch off:

NOTE: Measuring the current limit value on the oscilloscope can easily cause $\pm 10\%$ error from the typical expected values as listed in [Table 10](#).

1. Set the current limit to 6 A by installing the J4/J10 jumper in position 1-2.
2. The jumper setting for different current limits is shown in [Table 10](#).

Table 10. TPS26630-33EVM Jumper Setting for Current Limits

CH1, CH2 Jumper Positions (J4, J10)	Load Current Limit (A)
1-2	6
3-4	4.5
5-6	2
7-8	1
9-10	0.6

3. Set the load resistance to $24\text{-}\Omega \pm 1\ \Omega$ and the power supply voltage to 24 V.
4. Enable the load and the power supply .
5. Change the load resistance to $3\text{-}\Omega \pm 1\ \Omega$ and verify that the IC limits the current to 6A and latches off after current limit
6. Change the load resistance to $24\text{-}\Omega \pm 1\ \Omega$ and disable the power supply.
7. Set the current limit response mode to auto-retry by installing the J5/J11 jumper in the position 1-2.
8. Enable the power supply, change the load resistance to $24\text{-}\Omega \pm 1\ \Omega$ and verify the current limit auto-retry behavior.
9. Disable the power supply and the load.

3.4.5 Output Short-Circuit Protection Test

Follow the instructions to verify the output short-circuit protection feature of the device:

1. Set up the oscilloscope as listed in [Table 11](#).

Table 11. TPS26630-33EVM Output Short-Circuit Protection Test

Oscilloscope Setting	CH1 Probe Points	CH2 Probe Points
Channel 1 = 10 V / div	VIN_SYS1 (TP3)	VIN_SYS2 (TP12)
Channel 2 = 10 V / div	VOUT1 (TP4)	VOUT (TP13)
Channel 3 = 20 V / div	FLTb1 (TP1)	FLTb2 (TP10)
Channel 4 = 2 A / div	Input current into T1 +Ve wire	Input current into T3 +Ve wire
Trigger source = Channel 1		
Trigger level = 12 V \pm 1 V		
Trigger polarity = Falling		
Trigger mode = Single		
Time base	5 ms / div	

2. Set the current limit 2 A by installing the J4/J10 jumper in position 5-6.
3. Set the load resistance to 24- Ω \pm 1 Ω and the power supply voltage to 24 V. Enable the load and the power supply.
4. Use either wire or FET to short the output to ground and verify the output short-circuit response waveform as shown in [Figure 3](#).

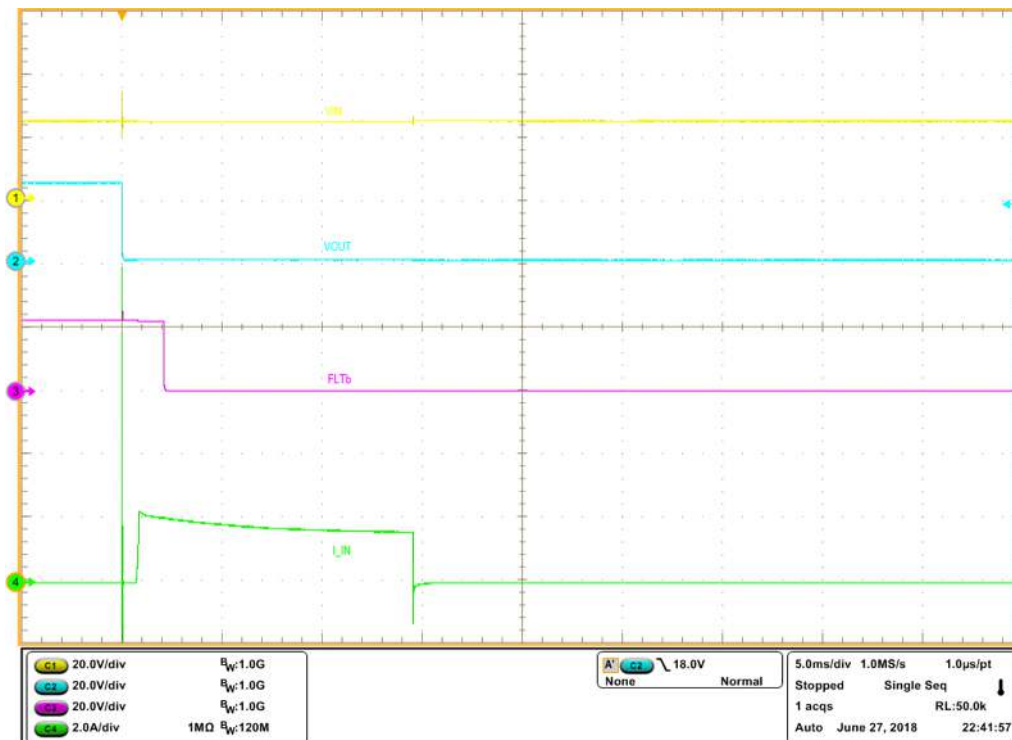


Figure 3. Output Short-Circuit Protection

3.4.6 Surge Test (IEC61000-4-5 Level 1)

1. Set the load resistance to $6\text{-}\Omega \pm 0.5\text{ }\Omega$ (R_{load}) and connect the load resistance to Terminal T2 of the EVM.
2. To support Class-A operation with 4-A load current ($R_{load} = 6\text{ }\Omega$) during surge, output capacitor (C3) of 2mF is required. If load current $< 2.5\text{ A}$ ($R_{load} > 10\text{ }\Omega$), 1mF output capacitor is sufficient for supporting Class-A operation.
3. Set the current limit to 4.5 A or 6 A by changing jumpers J4 (for CH1) .
4. Using the UCS 500N or similar simulator apply the surge pulse (IEC 61000-4-5 Level 1) to input terminal T1 of the EVM. Use a 24-V DC supply for power line inputs (L-N) of the simulator.
5. Observe the waveforms for VIN1, VOUT1, IIN1 and PGOOD1 on the EVM.

Figure 4 and Figure 5 provide the waveforms for uninterrupted operation of device during surge pulses. V_{OUT} remains above 17.3 V with PGOOD remaining high.

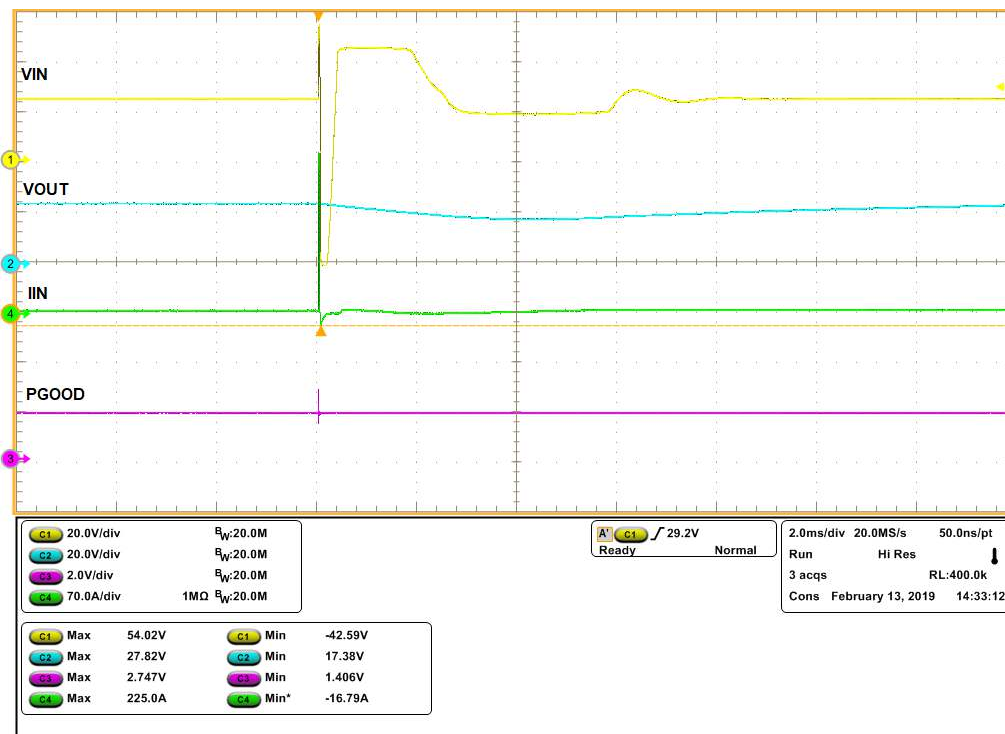


Figure 4. +500-V Surge Protection [$C_{OUT} = 2\text{ mF}$, $R_{LOAD} = 6\text{ }\Omega$, $V_{IN} = 24\text{ V}$, $I_{LIM} = 4.5\text{ A}$, Peak Pulse Power = 12 kW]

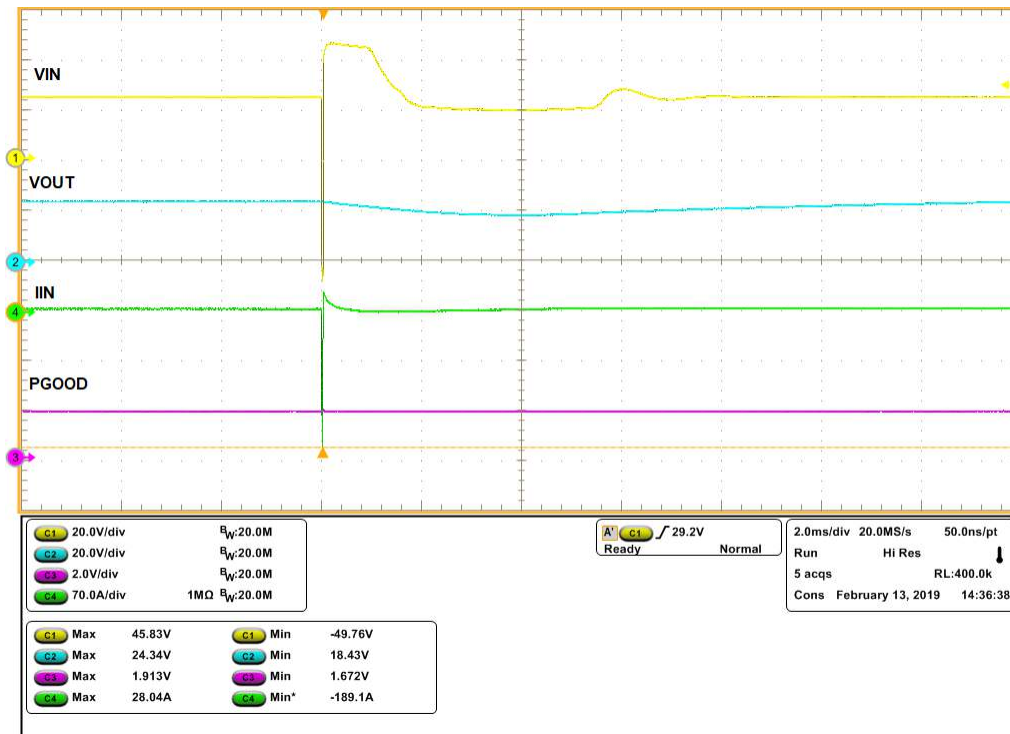


Figure 5. -500-V Surge Protection [$C_{\text{OUT}} = 2 \text{ mF}$, $R_{\text{LOAD}} = 6 \text{ }\Omega$, $V_{\text{IN}} = 24 \text{ V}$, $I_{\text{LIM}} = 4.5 \text{ A}$, Peak Pulse Power = 9.4 kW]

3.4.7 EFT Test (IEC61000-4-4 Level 3)

1. Set the load resistance to $4.8\text{-}\Omega \pm 0.2 \text{ }\Omega$ (R_{load}) and connect the load resistance to Terminal T2 of the EVM
2. Set the current limit to 6 A by changing jumpers J4 (for CH1)
3. Using the UCS 500N or similar simulator apply the EFT pulses (IEC 61000-4-4 Level 3) to input terminal T1 of the EVM. Use a 24-V DC supply for power line inputs (L-N) of the simulator.
4. Observe the waveforms for VIN1, VOUT1, IIN1 and PGOOD1 on the EVM.

Figure 6 and Figure 7 provide the waveforms for uninterrupted operation of device during EFT pulses with FLT remaining high.

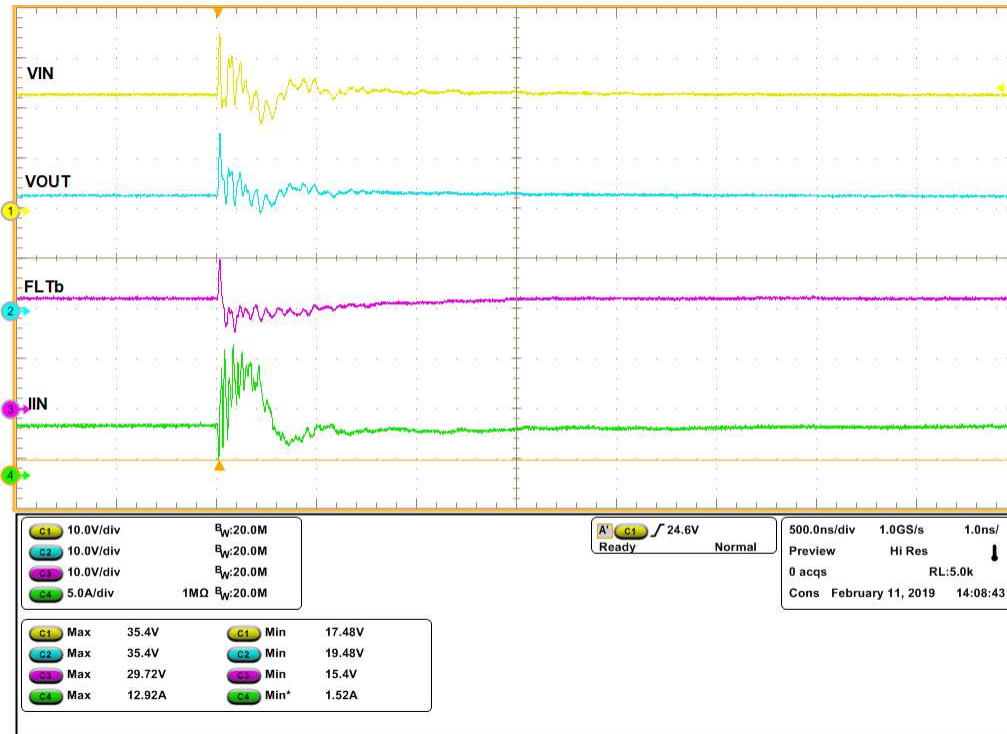


Figure 6. +2-kV EFT Protection [$C_{\text{OUT}} = 1 \mu\text{F}$, $R_{\text{LOAD}} = 4.8\text{-}\Omega$, $V_{\text{IN}} = 24 \text{ V}$, $I_{\text{LIM}} = 6 \text{ A}$]

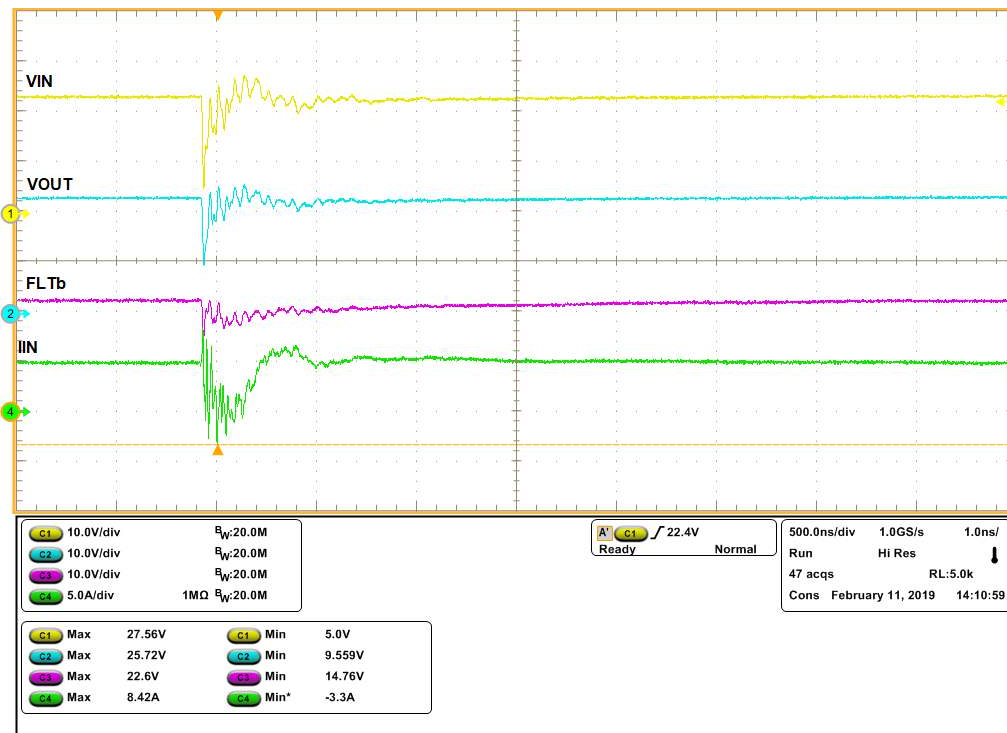


Figure 7. -2-kV EFT Protection [$C_{\text{OUT}} = 1 \mu\text{F}$, $R_{\text{LOAD}} = 4.8 \Omega$, $V_{\text{IN}} = 24 \text{ V}$, $I_{\text{LIM}} = 6 \text{ A}$]

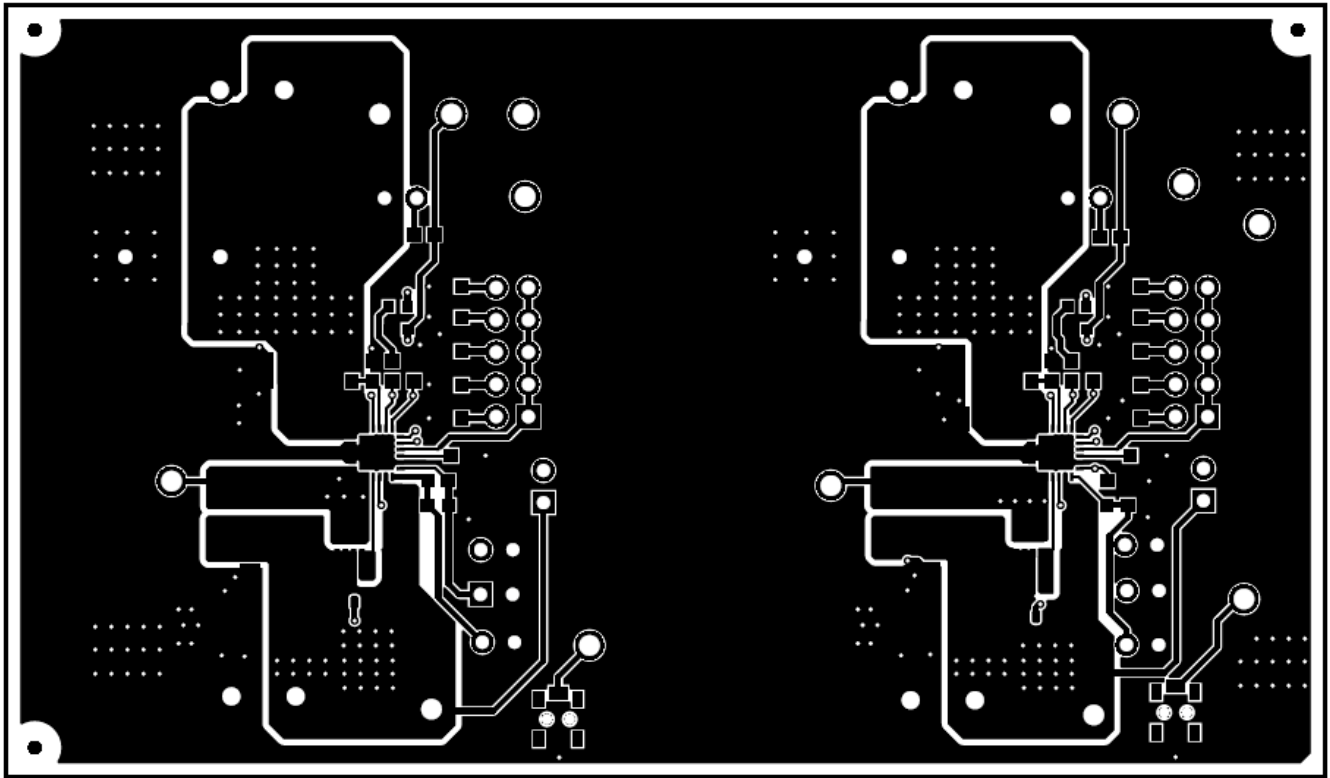


Figure 9. Top Layer

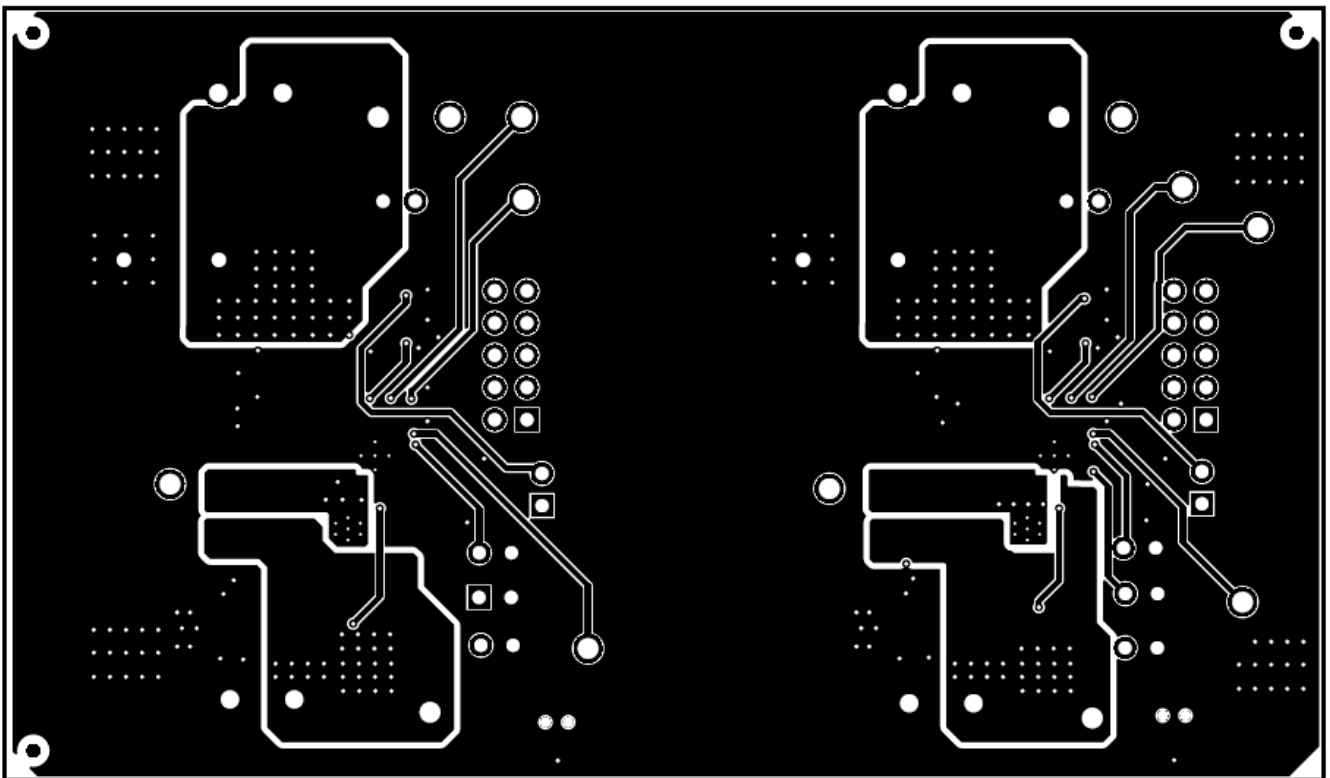


Figure 10. Bottom Layer

5 Schematics

Figure 11 illustrates the TPS26630-33EVM schematic.

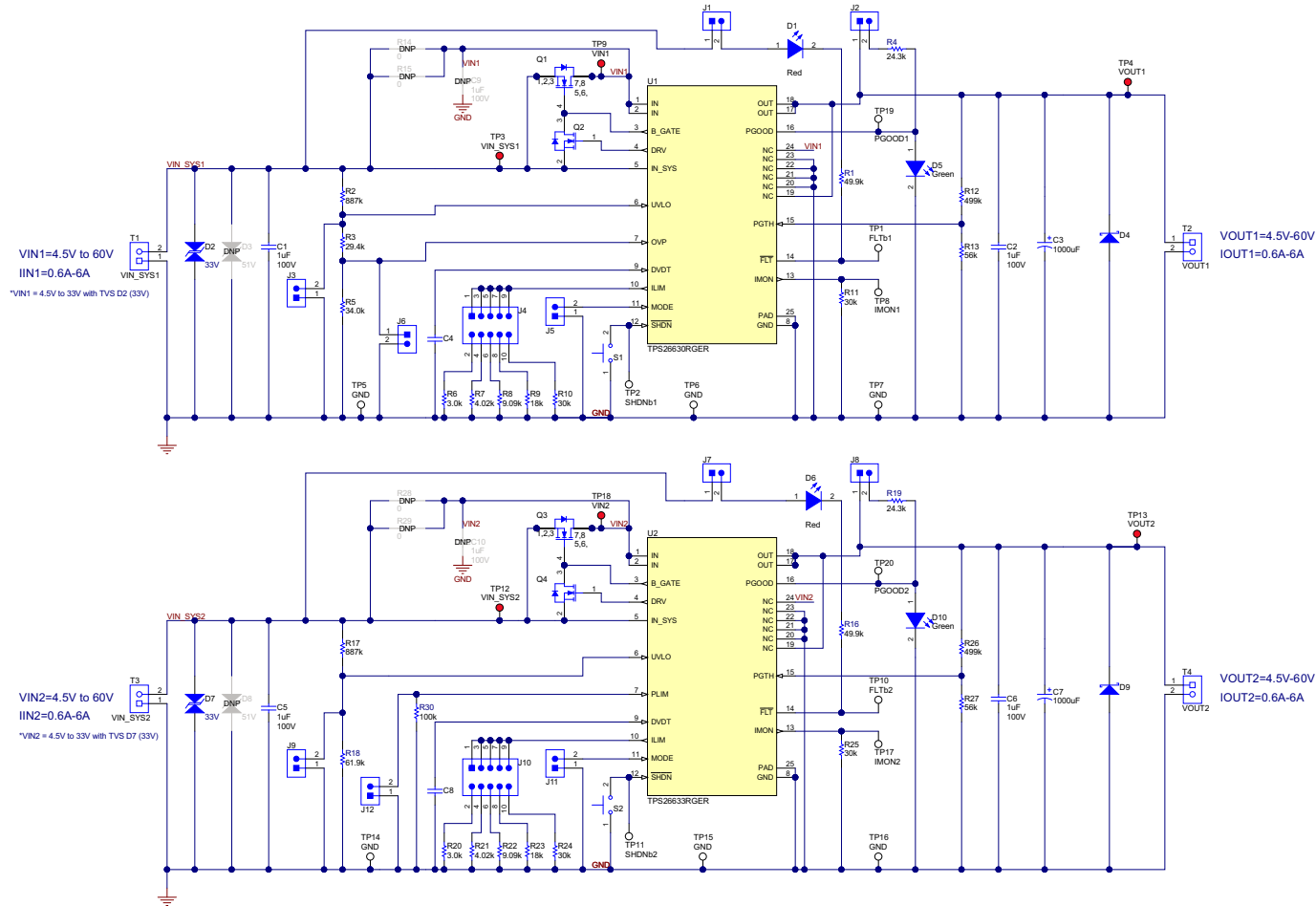


Figure 11. TPS26630-33EVM Schematic

6 Bill of Materials

Table 12 lists the TPS26630-33EVM BOM.

Table 12. TPS26630-33EVM Bill of Materials

Item#	Designator	Quantity	Value	Description	PackageReference	PartNumber	Manufacturer
1	PCB1	1		Printed Circuit Board		PSIL056	Any
2	C1, C2, C5, C6	4	1 uF	CAP, CERM, 1 uF, 100 V, +/- 10%, X7R, 1206	1206	C3216X7R2A105K160AA	TDK
3	C3, C7	2	1000 uF	CAP, AL, 1000 uF, 50 V, +/- 20%, 0.034 ohm, AEC-Q200 Grade 2, TH	D16xL25	EEU-FC1H102	Panasonic
4	C4, C8	2	0.022 uF	CAP, CERM, 0.022 uF, 16 V, +/- 10%, X7R, 0603	0603	C0603C223K4RACTU	Kemet
5	D1, D6	2	Red	LED, Red, SMD	Red LED, 1.6x0.8x0.8mm	LTST-C190CKT	Lite-On
6	D2, D7	2	33 V	Diode, TVS, Bi, 33 V, 53.3 Vc, 1500 W	SMC	SMCJ33CA-13-F	Diodes Inc.
7	D4, D9	2	60 V	Diode, Schottky, 60 V, 2 A, SMB	SMB	B260-13-F	Diodes Inc.
8	D5, D10	2	Green	LED, Green, SMD	1.6x0.8x0.8mm	LTST-C190GKT	Lite-On
9	H1, H2, H3, H4	4		Bumpon, Hemisphere, 0.44 X 0.20, Clear	Transparent Bumpon	SJ-5303 (CLEAR)	3M
10	J1, J2, J3, J5, J6, J7, J8, J9, J11, J12	10		Header, 100mil, 2x1, Gold, TH	Sullins 100mil, 1x2, 230 mil above insulator	PBC02SAAN	Sullins Connector Solutions
11	J4, J10	2		Header, 100mil, 5x2, Tin, TH	Header, 5x2, 100mil, Tin	PEC05DAAN	Sullins Connector Solutions
12	Q1, Q3	2	100 V	MOSFET, N-CH, 100 V, 50 A, DQG0008A (VSON-CLIP-8)	DQG0008A	CSD19537Q3	Texas Instruments
13	Q2, Q4	2	50 V	MOSFET, N-CH, 50 V, 0.22 A, SOT-23	SOT-23	BSS138	Fairchild Semiconductor
14	R1, R16	2	49.9 k	RES, 49.9 k, 1%, 0.1 W, AEC-Q200 Grade 0, 0603	0603	CRCW060349K9FKEA	Vishay-Dale
15	R2, R17	2	887 k	RES, 887 k, 1%, 0.1 W, AEC-Q200 Grade 0, 0603	0603	CRCW0603887KFKEA	Vishay-Dale
16	R3	1	29.4 k	RES, 29.4 k, 1%, 0.1 W, AEC-Q200 Grade 0, 0603	0603	CRCW060329K4FKEA	Vishay-Dale
17	R4, R19	2	24.3 k	RES, 24.3 k, 1%, 0.1 W, AEC-Q200 Grade 0, 0603	0603	CRCW060324K3FKEA	Vishay-Dale
18	R5	1	34.0 k	RES, 34.0 k, 1%, 0.1 W, AEC-Q200 Grade 0, 0603	0603	RC0603FR-0734KL	Yageo
19	R6, R20	2	3.0 k	RES, 3.0 k, 5%, 0.1 W, AEC-Q200 Grade 0, 0603	0603	CRCW06033K00JNEA	Vishay-Dale
20	R7, R21	2	4.02 k	RES, 4.02 k, 1%, 0.1 W, AEC-Q200 Grade 0, 0603	0603	CRCW06034K02FKEA	Vishay-Dale
21	R8, R22	2	9.09 k	RES, 9.09 k, 1%, 0.1 W, AEC-Q200 Grade 0, 0603	0603	CRCW06039K09FKEA	Vishay-Dale
22	R9, R23	2	18 k	RES, 18 k, 5%, 0.1 W, AEC-Q200 Grade 0, 0603	0603	CRCW060318K0JNEA	Vishay-Dale

Table 12. TPS26630-33EVM Bill of Materials (continued)

Item#	Designator	Quantity	Value	Description	PackageReference	PartNumber	Manufacturer
23	R10, R11, R24, R25	4	30 k	RES, 30 k, 5%, 0.1 W, AEC-Q200 Grade 0, 0603	0603	CRCW060330K0JNEA	Vishay-Dale
24	R12, R26	2	499 k	RES, 499 k, 1%, 0.1 W, AEC-Q200 Grade 0, 0603	0603	ERJ-3EKF4993V	Panasonic
25	R13, R27	2	56 k	RES, 56 k, 5%, 0.1 W, AEC-Q200 Grade 0, 0603	0603	CRCW060356K0JNEA	Vishay-Dale
26	R18	1	61.9 k	RES, 61.9 k, 1%, 0.1 W, AEC-Q200 Grade 0, 0603	0603	CRCW060361K9FKEA	Vishay-Dale
27	R30	1	100k	RES, 100 k, 1%, 0.1 W, AEC-Q200 Grade 0, 0603	0603	CRCW0603100KFKEA	Vishay-Dale
28	S1, S2	2		Switch, SPST-NO, Off-Mom, 0.05A, 12VDC, SMD	3.9x2.9mm	PTS820 J20M SMTR LFS	CK Components
29	SH-J1, SH-J2, SH-J4, SH-J7, SH-J8, SH-J10	6	1x2	Shunt, 100mil, Flash Gold, Black	Closed Top 100mil Shunt	SPC02SYAN	Sullins Connector Solutions
30	T1, T2, T3, T4	4		Terminal Block, 2x1, 5.08mm, TH	10.16x15.2x9mm	282841-2	TE Connectivity
31	TP1, TP2, TP8, TP10, TP11, TP17, TP19, TP20	8		Test Point, Multipurpose, White, TH	White Multipurpose Testpoint	5012	Keystone
32	TP3, TP4, TP9, TP12, TP13, TP18	6		Test Point, Multipurpose, Red, TH	Red Multipurpose Testpoint	5010	Keystone
33	TP5, TP6, TP7, TP14, TP15, TP16	6		Test Point, Compact, SMT	Testpoint_Keystone_Compact	5016	Keystone
34	U1	1		4.5V - 60V, 6A 29mΩ eFuse with Reverse Polarity Protection, RGE0024H (VQFN-24)	RGE0024H	TPS26630RGER	Texas Instruments
35	U2	1		4.5V - 60V, 6A 29mΩ eFuse with Reverse Polarity Protection, RGE0024H (VQFN-24)	RGE0024H	TPS26633RGER	Texas Instruments
36	C9, C10	0	1 uF	CAP, CERM, 1 uF, 100 V, +/- 10%, X7R, 1206	1206	GRM31CR72A105KA01L	MuRata
37	D3, D8	0	51 V	Diode, TVS, Bi, 51 V, SMA	SMA	SMAJ51CA	Littelfuse
38	FID1, FID2, FID3, FID4, FID5, FID6	0		Fiducial mark. There is nothing to buy or mount.	N/A	N/A	N/A
39	R14, R15, R28, R29	0	0 ohm	RES, 0, 5%, 0.75 W, AEC-Q200 Grade 0, 2010	2010	CRCW20100000Z0EF	Vishay-Dale

STANDARD TERMS FOR EVALUATION MODULES

1. *Delivery:* TI delivers TI evaluation boards, kits, or modules, including any accompanying demonstration software, components, and/or documentation which may be provided together or separately (collectively, an "EVM" or "EVMs") to the User ("User") in accordance with the terms set forth herein. User's acceptance of the EVM is expressly subject to the following terms.
 - 1.1 EVMs are intended solely for product or software developers for use in a research and development setting to facilitate feasibility evaluation, experimentation, or scientific analysis of TI semiconductor products. EVMs have no direct function and are not finished products. EVMs shall not be directly or indirectly assembled as a part or subassembly in any finished product. For clarification, any software or software tools provided with the EVM ("Software") shall not be subject to the terms and conditions set forth herein but rather shall be subject to the applicable terms that accompany such Software
 - 1.2 EVMs are not intended for consumer or household use. EVMs may not be sold, sublicensed, leased, rented, loaned, assigned, or otherwise distributed for commercial purposes by Users, in whole or in part, or used in any finished product or production system.
2. *Limited Warranty and Related Remedies/Disclaimers:*
 - 2.1 These terms do not apply to Software. The warranty, if any, for Software is covered in the applicable Software License Agreement.
 - 2.2 TI warrants that the TI EVM will conform to TI's published specifications for ninety (90) days after the date TI delivers such EVM to User. Notwithstanding the foregoing, TI shall not be liable for a nonconforming EVM if (a) the nonconformity was caused by neglect, misuse or mistreatment by an entity other than TI, including improper installation or testing, or for any EVMs that have been altered or modified in any way by an entity other than TI, (b) the nonconformity resulted from User's design, specifications or instructions for such EVMs or improper system design, or (c) User has not paid on time. Testing and other quality control techniques are used to the extent TI deems necessary. TI does not test all parameters of each EVM. User's claims against TI under this Section 2 are void if User fails to notify TI of any apparent defects in the EVMs within ten (10) business days after delivery, or of any hidden defects with ten (10) business days after the defect has been detected.
 - 2.3 TI's sole liability shall be at its option to repair or replace EVMs that fail to conform to the warranty set forth above, or credit User's account for such EVM. TI's liability under this warranty shall be limited to EVMs that are returned during the warranty period to the address designated by TI and that are determined by TI not to conform to such warranty. If TI elects to repair or replace such EVM, TI shall have a reasonable time to repair such EVM or provide replacements. Repaired EVMs shall be warranted for the remainder of the original warranty period. Replaced EVMs shall be warranted for a new full ninety (90) day warranty period.

WARNING

Evaluation Kits are intended solely for use by technically qualified, professional electronics experts who are familiar with the dangers and application risks associated with handling electrical mechanical components, systems, and subsystems.

User shall operate the Evaluation Kit within TI's recommended guidelines and any applicable legal or environmental requirements as well as reasonable and customary safeguards. Failure to set up and/or operate the Evaluation Kit within TI's recommended guidelines may result in personal injury or death or property damage. Proper set up entails following TI's instructions for electrical ratings of interface circuits such as input, output and electrical loads.

NOTE:

EXPOSURE TO ELECTROSTATIC DISCHARGE (ESD) MAY CAUSE DEGRADATION OR FAILURE OF THE EVALUATION KIT; TI RECOMMENDS STORAGE OF THE EVALUATION KIT IN A PROTECTIVE ESD BAG.

3 Regulatory Notices:

3.1 United States

3.1.1 Notice applicable to EVMs not FCC-Approved:

FCC NOTICE: This kit is designed to allow product developers to evaluate electronic components, circuitry, or software associated with the kit to determine whether to incorporate such items in a finished product and software developers to write software applications for use with the end product. This kit is not a finished product and when assembled may not be resold or otherwise marketed unless all required FCC equipment authorizations are first obtained. Operation is subject to the condition that this product not cause harmful interference to licensed radio stations and that this product accept harmful interference. Unless the assembled kit is designed to operate under part 15, part 18 or part 95 of this chapter, the operator of the kit must operate under the authority of an FCC license holder or must secure an experimental authorization under part 5 of this chapter.

3.1.2 For EVMs annotated as FCC – FEDERAL COMMUNICATIONS COMMISSION Part 15 Compliant:

CAUTION

This device complies with part 15 of the FCC Rules. Operation is subject to the following two conditions: (1) This device may not cause harmful interference, and (2) this device must accept any interference received, including interference that may cause undesired operation.

Changes or modifications not expressly approved by the party responsible for compliance could void the user's authority to operate the equipment.

FCC Interference Statement for Class A EVM devices

NOTE: This equipment has been tested and found to comply with the limits for a Class A digital device, pursuant to part 15 of the FCC Rules. These limits are designed to provide reasonable protection against harmful interference when the equipment is operated in a commercial environment. This equipment generates, uses, and can radiate radio frequency energy and, if not installed and used in accordance with the instruction manual, may cause harmful interference to radio communications. Operation of this equipment in a residential area is likely to cause harmful interference in which case the user will be required to correct the interference at his own expense.

FCC Interference Statement for Class B EVM devices

NOTE: This equipment has been tested and found to comply with the limits for a Class B digital device, pursuant to part 15 of the FCC Rules. These limits are designed to provide reasonable protection against harmful interference in a residential installation. This equipment generates, uses and can radiate radio frequency energy and, if not installed and used in accordance with the instructions, may cause harmful interference to radio communications. However, there is no guarantee that interference will not occur in a particular installation. If this equipment does cause harmful interference to radio or television reception, which can be determined by turning the equipment off and on, the user is encouraged to try to correct the interference by one or more of the following measures:

- Reorient or relocate the receiving antenna.
- Increase the separation between the equipment and receiver.
- Connect the equipment into an outlet on a circuit different from that to which the receiver is connected.
- Consult the dealer or an experienced radio/TV technician for help.

3.2 Canada

3.2.1 For EVMs issued with an Industry Canada Certificate of Conformance to RSS-210 or RSS-247

Concerning EVMs Including Radio Transmitters:

This device complies with Industry Canada license-exempt RSSs. Operation is subject to the following two conditions:

(1) this device may not cause interference, and (2) this device must accept any interference, including interference that may cause undesired operation of the device.

Concernant les EVMs avec appareils radio:

Le présent appareil est conforme aux CNR d'Industrie Canada applicables aux appareils radio exempts de licence. L'exploitation est autorisée aux deux conditions suivantes: (1) l'appareil ne doit pas produire de brouillage, et (2) l'utilisateur de l'appareil doit accepter tout brouillage radioélectrique subi, même si le brouillage est susceptible d'en compromettre le fonctionnement.

Concerning EVMs Including Detachable Antennas:

Under Industry Canada regulations, this radio transmitter may only operate using an antenna of a type and maximum (or lesser) gain approved for the transmitter by Industry Canada. To reduce potential radio interference to other users, the antenna type and its gain should be so chosen that the equivalent isotropically radiated power (e.i.r.p.) is not more than that necessary for successful communication. This radio transmitter has been approved by Industry Canada to operate with the antenna types listed in the user guide with the maximum permissible gain and required antenna impedance for each antenna type indicated. Antenna types not included in this list, having a gain greater than the maximum gain indicated for that type, are strictly prohibited for use with this device.

Concernant les EVMs avec antennes détachables

Conformément à la réglementation d'Industrie Canada, le présent émetteur radio peut fonctionner avec une antenne d'un type et d'un gain maximal (ou inférieur) approuvé pour l'émetteur par Industrie Canada. Dans le but de réduire les risques de brouillage radioélectrique à l'intention des autres utilisateurs, il faut choisir le type d'antenne et son gain de sorte que la puissance isotrope rayonnée équivalente (p.i.r.e.) ne dépasse pas l'intensité nécessaire à l'établissement d'une communication satisfaisante. Le présent émetteur radio a été approuvé par Industrie Canada pour fonctionner avec les types d'antenne énumérés dans le manuel d'usage et ayant un gain admissible maximal et l'impédance requise pour chaque type d'antenne. Les types d'antenne non inclus dans cette liste, ou dont le gain est supérieur au gain maximal indiqué, sont strictement interdits pour l'exploitation de l'émetteur.

3.3 Japan

3.3.1 *Notice for EVMs delivered in Japan:* Please see http://www.tij.co.jp/lstds/ti_ja/general/eStore/notice_01.page 日本国内に輸入される評価用キット、ボードについては、次のところをご覧ください。
http://www.tij.co.jp/lstds/ti_ja/general/eStore/notice_01.page

3.3.2 *Notice for Users of EVMs Considered "Radio Frequency Products" in Japan:* EVMs entering Japan may not be certified by TI as conforming to Technical Regulations of Radio Law of Japan.

If User uses EVMs in Japan, not certified to Technical Regulations of Radio Law of Japan, User is required to follow the instructions set forth by Radio Law of Japan, which includes, but is not limited to, the instructions below with respect to EVMs (which for the avoidance of doubt are stated strictly for convenience and should be verified by User):

1. Use EVMs in a shielded room or any other test facility as defined in the notification #173 issued by Ministry of Internal Affairs and Communications on March 28, 2006, based on Sub-section 1.1 of Article 6 of the Ministry's Rule for Enforcement of Radio Law of Japan,
2. Use EVMs only after User obtains the license of Test Radio Station as provided in Radio Law of Japan with respect to EVMs, or
3. Use of EVMs only after User obtains the Technical Regulations Conformity Certification as provided in Radio Law of Japan with respect to EVMs. Also, do not transfer EVMs, unless User gives the same notice above to the transferee. Please note that if User does not follow the instructions above, User will be subject to penalties of Radio Law of Japan.

【無線電波を送信する製品の開発キットをお使いになる際の注意事項】 開発キットの中には技術基準適合証明を受けていないものがあります。技術適合証明を受けていないものご使用に際しては、電波法遵守のため、以下のいずれかの措置を取っていただく必要がありますのでご注意ください。

1. 電波法施行規則第6条第1項第1号に基づく平成18年3月28日総務省告示第173号で定められた電波暗室等の試験設備でご使用いただく。
2. 実験局の免許を取得後ご使用いただく。
3. 技術基準適合証明を取得後ご使用いただく。

なお、本製品は、上記の「ご使用にあたっての注意」を譲渡先、移転先に通知しない限り、譲渡、移転できないものとします。

上記を遵守頂けない場合は、電波法の罰則が適用される可能性があることをご留意ください。日本テキサス・インスツルメンツ株式会社
東京都新宿区西新宿 6 丁目 2 4 番 1 号
西新宿三井ビル

3.3.3 *Notice for EVMs for Power Line Communication:* Please see http://www.tij.co.jp/lstds/ti_ja/general/eStore/notice_02.page 電力線搬送波通信についての開発キットをお使いになる際の注意事項については、次のところをご覧ください。
http://www.tij.co.jp/lstds/ti_ja/general/eStore/notice_02.page

3.4 European Union

3.4.1 *For EVMs subject to EU Directive 2014/30/EU (Electromagnetic Compatibility Directive):*

This is a class A product intended for use in environments other than domestic environments that are connected to a low-voltage power-supply network that supplies buildings used for domestic purposes. In a domestic environment this product may cause radio interference in which case the user may be required to take adequate measures.

-
- 4 *EVM Use Restrictions and Warnings:*
 - 4.1 EVMS ARE NOT FOR USE IN FUNCTIONAL SAFETY AND/OR SAFETY CRITICAL EVALUATIONS, INCLUDING BUT NOT LIMITED TO EVALUATIONS OF LIFE SUPPORT APPLICATIONS.
 - 4.2 User must read and apply the user guide and other available documentation provided by TI regarding the EVM prior to handling or using the EVM, including without limitation any warning or restriction notices. The notices contain important safety information related to, for example, temperatures and voltages.
 - 4.3 *Safety-Related Warnings and Restrictions:*
 - 4.3.1 User shall operate the EVM within TI's recommended specifications and environmental considerations stated in the user guide, other available documentation provided by TI, and any other applicable requirements and employ reasonable and customary safeguards. Exceeding the specified performance ratings and specifications (including but not limited to input and output voltage, current, power, and environmental ranges) for the EVM may cause personal injury or death, or property damage. If there are questions concerning performance ratings and specifications, User should contact a TI field representative prior to connecting interface electronics including input power and intended loads. Any loads applied outside of the specified output range may also result in unintended and/or inaccurate operation and/or possible permanent damage to the EVM and/or interface electronics. Please consult the EVM user guide prior to connecting any load to the EVM output. If there is uncertainty as to the load specification, please contact a TI field representative. During normal operation, even with the inputs and outputs kept within the specified allowable ranges, some circuit components may have elevated case temperatures. These components include but are not limited to linear regulators, switching transistors, pass transistors, current sense resistors, and heat sinks, which can be identified using the information in the associated documentation. When working with the EVM, please be aware that the EVM may become very warm.
 - 4.3.2 EVMs are intended solely for use by technically qualified, professional electronics experts who are familiar with the dangers and application risks associated with handling electrical mechanical components, systems, and subsystems. User assumes all responsibility and liability for proper and safe handling and use of the EVM by User or its employees, affiliates, contractors or designees. User assumes all responsibility and liability to ensure that any interfaces (electronic and/or mechanical) between the EVM and any human body are designed with suitable isolation and means to safely limit accessible leakage currents to minimize the risk of electrical shock hazard. User assumes all responsibility and liability for any improper or unsafe handling or use of the EVM by User or its employees, affiliates, contractors or designees.
 - 4.4 User assumes all responsibility and liability to determine whether the EVM is subject to any applicable international, federal, state, or local laws and regulations related to User's handling and use of the EVM and, if applicable, User assumes all responsibility and liability for compliance in all respects with such laws and regulations. User assumes all responsibility and liability for proper disposal and recycling of the EVM consistent with all applicable international, federal, state, and local requirements.
 5. *Accuracy of Information:* To the extent TI provides information on the availability and function of EVMs, TI attempts to be as accurate as possible. However, TI does not warrant the accuracy of EVM descriptions, EVM availability or other information on its websites as accurate, complete, reliable, current, or error-free.
 6. *Disclaimers:*
 - 6.1 EXCEPT AS SET FORTH ABOVE, EVMS AND ANY MATERIALS PROVIDED WITH THE EVM (INCLUDING, BUT NOT LIMITED TO, REFERENCE DESIGNS AND THE DESIGN OF THE EVM ITSELF) ARE PROVIDED "AS IS" AND "WITH ALL FAULTS." TI DISCLAIMS ALL OTHER WARRANTIES, EXPRESS OR IMPLIED, REGARDING SUCH ITEMS, INCLUDING BUT NOT LIMITED TO ANY EPIDEMIC FAILURE WARRANTY OR IMPLIED WARRANTIES OF MERCHANTABILITY OR FITNESS FOR A PARTICULAR PURPOSE OR NON-INFRINGEMENT OF ANY THIRD PARTY PATENTS, COPYRIGHTS, TRADE SECRETS OR OTHER INTELLECTUAL PROPERTY RIGHTS.
 - 6.2 EXCEPT FOR THE LIMITED RIGHT TO USE THE EVM SET FORTH HEREIN, NOTHING IN THESE TERMS SHALL BE CONSTRUED AS GRANTING OR CONFERRING ANY RIGHTS BY LICENSE, PATENT, OR ANY OTHER INDUSTRIAL OR INTELLECTUAL PROPERTY RIGHT OF TI, ITS SUPPLIERS/LICENSORS OR ANY OTHER THIRD PARTY, TO USE THE EVM IN ANY FINISHED END-USER OR READY-TO-USE FINAL PRODUCT, OR FOR ANY INVENTION, DISCOVERY OR IMPROVEMENT, REGARDLESS OF WHEN MADE, CONCEIVED OR ACQUIRED.
 7. *USER'S INDEMNITY OBLIGATIONS AND REPRESENTATIONS.* USER WILL DEFEND, INDEMNIFY AND HOLD TI, ITS LICENSORS AND THEIR REPRESENTATIVES HARMLESS FROM AND AGAINST ANY AND ALL CLAIMS, DAMAGES, LOSSES, EXPENSES, COSTS AND LIABILITIES (COLLECTIVELY, "CLAIMS") ARISING OUT OF OR IN CONNECTION WITH ANY HANDLING OR USE OF THE EVM THAT IS NOT IN ACCORDANCE WITH THESE TERMS. THIS OBLIGATION SHALL APPLY WHETHER CLAIMS ARISE UNDER STATUTE, REGULATION, OR THE LAW OF TORT, CONTRACT OR ANY OTHER LEGAL THEORY, AND EVEN IF THE EVM FAILS TO PERFORM AS DESCRIBED OR EXPECTED.

8. *Limitations on Damages and Liability:*

8.1 *General Limitations.* IN NO EVENT SHALL TI BE LIABLE FOR ANY SPECIAL, COLLATERAL, INDIRECT, PUNITIVE, INCIDENTAL, CONSEQUENTIAL, OR EXEMPLARY DAMAGES IN CONNECTION WITH OR ARISING OUT OF THESE TERMS OR THE USE OF THE EVMS , REGARDLESS OF WHETHER TI HAS BEEN ADVISED OF THE POSSIBILITY OF SUCH DAMAGES. EXCLUDED DAMAGES INCLUDE, BUT ARE NOT LIMITED TO, COST OF REMOVAL OR REINSTALLATION, ANCILLARY COSTS TO THE PROCUREMENT OF SUBSTITUTE GOODS OR SERVICES, RETESTING, OUTSIDE COMPUTER TIME, LABOR COSTS, LOSS OF GOODWILL, LOSS OF PROFITS, LOSS OF SAVINGS, LOSS OF USE, LOSS OF DATA, OR BUSINESS INTERRUPTION. NO CLAIM, SUIT OR ACTION SHALL BE BROUGHT AGAINST TI MORE THAN TWELVE (12) MONTHS AFTER THE EVENT THAT GAVE RISE TO THE CAUSE OF ACTION HAS OCCURRED.

8.2 *Specific Limitations.* IN NO EVENT SHALL TI'S AGGREGATE LIABILITY FROM ANY USE OF AN EVM PROVIDED HEREUNDER, INCLUDING FROM ANY WARRANTY, INDEMNITY OR OTHER OBLIGATION ARISING OUT OF OR IN CONNECTION WITH THESE TERMS, , EXCEED THE TOTAL AMOUNT PAID TO TI BY USER FOR THE PARTICULAR EVM(S) AT ISSUE DURING THE PRIOR TWELVE (12) MONTHS WITH RESPECT TO WHICH LOSSES OR DAMAGES ARE CLAIMED. THE EXISTENCE OF MORE THAN ONE CLAIM SHALL NOT ENLARGE OR EXTEND THIS LIMIT.

9. *Return Policy.* Except as otherwise provided, TI does not offer any refunds, returns, or exchanges. Furthermore, no return of EVM(s) will be accepted if the package has been opened and no return of the EVM(s) will be accepted if they are damaged or otherwise not in a resalable condition. If User feels it has been incorrectly charged for the EVM(s) it ordered or that delivery violates the applicable order, User should contact TI. All refunds will be made in full within thirty (30) working days from the return of the components(s), excluding any postage or packaging costs.

10. *Governing Law:* These terms and conditions shall be governed by and interpreted in accordance with the laws of the State of Texas, without reference to conflict-of-laws principles. User agrees that non-exclusive jurisdiction for any dispute arising out of or relating to these terms and conditions lies within courts located in the State of Texas and consents to venue in Dallas County, Texas. Notwithstanding the foregoing, any judgment may be enforced in any United States or foreign court, and TI may seek injunctive relief in any United States or foreign court.

Mailing Address: Texas Instruments, Post Office Box 655303, Dallas, Texas 75265
Copyright © 2019, Texas Instruments Incorporated

IMPORTANT NOTICE AND DISCLAIMER

TI PROVIDES TECHNICAL AND RELIABILITY DATA (INCLUDING DATASHEETS), DESIGN RESOURCES (INCLUDING REFERENCE DESIGNS), APPLICATION OR OTHER DESIGN ADVICE, WEB TOOLS, SAFETY INFORMATION, AND OTHER RESOURCES "AS IS" AND WITH ALL FAULTS, AND DISCLAIMS ALL WARRANTIES, EXPRESS AND IMPLIED, INCLUDING WITHOUT LIMITATION ANY IMPLIED WARRANTIES OF MERCHANTABILITY, FITNESS FOR A PARTICULAR PURPOSE OR NON-INFRINGEMENT OF THIRD PARTY INTELLECTUAL PROPERTY RIGHTS.

These resources are intended for skilled developers designing with TI products. You are solely responsible for (1) selecting the appropriate TI products for your application, (2) designing, validating and testing your application, and (3) ensuring your application meets applicable standards, and any other safety, security, or other requirements. These resources are subject to change without notice. TI grants you permission to use these resources only for development of an application that uses the TI products described in the resource. Other reproduction and display of these resources is prohibited. No license is granted to any other TI intellectual property right or to any third party intellectual property right. TI disclaims responsibility for, and you will fully indemnify TI and its representatives against, any claims, damages, costs, losses, and liabilities arising out of your use of these resources.

TI's products are provided subject to TI's Terms of Sale (www.ti.com/legal/termsofsale.html) or other applicable terms available either on ti.com or provided in conjunction with such TI products. TI's provision of these resources does not expand or otherwise alter TI's applicable warranties or warranty disclaimers for TI products.

Mailing Address: Texas Instruments, Post Office Box 655303, Dallas, Texas 75265
Copyright © 2019, Texas Instruments Incorporated