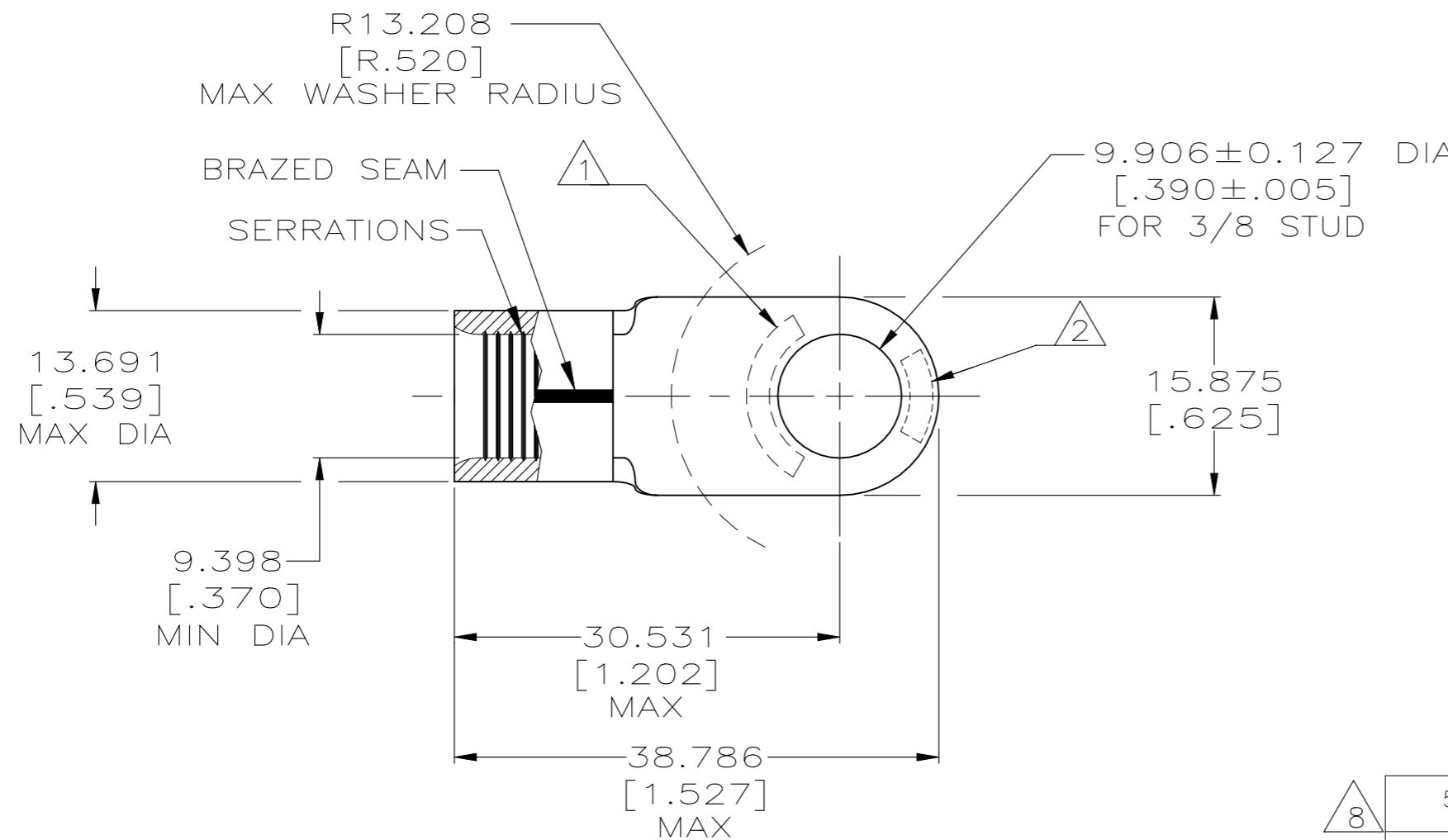


P	LTR	DESCRIPTION	DATE	DWN	APVD
P1		REVISED PER ECN-22-150900	27APR2022	RK	CSD

AMP WIRE RANGE	Listed FILE E13288	LR7189 Certified
2 AWG SOLID OR STRANDED	2 AWG STRANDED	2 AWG SOLID OR STRANDED



- 1 STAMP AMP 2W* APPROX AS SHOWN.
- 2 STAMP 60-75 APPROX AS SHOWN.
- 3 MATERIAL THK: 1.806 ± 0.076 [.070 ± .003].
- 4 FINISH: TIN PLATE 0.00254 [.000100] MIN EXT. THK PER ASTM B545.
- 5 FINISH: GOLD PLATE 0.00127 [.000050] MIN EXT THK PER ASTM B488, TYPE 2, GRADE C, OVER NICKEL PL. 0.00076 [.000030] MIN THK PER SAE AMS QQ-N-290.
- 6 NOTE DELETED
- 7 NOTE DELETED.
- 8 NOT UL OR CSA APPROVED
- 9 MATERIAL: COPPER PER ASTM B152

QTY	PACKAGE TYPE	FINISH	PART NO
50	LOOSE PIECE	5	2-321600-1
50	LOOSE PIECE	4	321600

CUSTOMER SERVICE SYSTEMS		MAX RECOMMENDED OPERATING TEMPERATURE: 170°C [338°F]	THIS DRAWING IS A CONTROLLED DOCUMENT.		DWN DK SCHRUM 5/25/93	TE Connectivity			
FOR ADDITIONAL PRODUCT INFORMATION OR COPIES OF DRAWINGS AND TECHNICAL DOCUMENTS	PRODUCT INFORMATION CENTER 1-800-522-6752	VOLTAGE RATING: N/A	DIMENSIONS: mm [INCHES]	TOLERANCES UNLESS OTHERWISE SPECIFIED:	CHK RD HEIM 1/27/94				
FOR APPLICATION TOOLING INFORMATION	TOOLING ASSISTANCE CENTER 1-800-722-1111	CIRCULAR MIL AREA: 26.7-42.4mm² [52,600-83,700] SOLID OR STRANDED		0 PLC ± - 1 PLC ± - 2 PLC ± - 3 PLC ± 0.127 [.005] 4 PLC ± - ANGLES ± -	APVD J MECKLEY 1/27/94	PRODUCT SPEC -			
FOR ORDER ENTRY	1-800-526-5142		MATERIAL - 9	FINISH SEE TABLE	APPLICATION SPEC -	SIZE A3	CAGE CODE 00779	DRAWING NO C-321600	RESTRICTED TO -
CUSTOMER DRAWING						SCALE 2:1	SHEET 1 OF 1	REV P1	