

B26 3 000 N 2 **

SERIES
 B26= FORM A
 POLES
 2= 2 POLE & 3= 3 POLE
 CURVED BASE DIAMETER
 000= FLAT
 MATERIAL AND HOUSING COLOUR
 N= PA6 BLACK, W= PA6 BLACK V0, G= PA6 GRAY

SCREW AND GASKET
 2 = NBR FLAT GASKET & SCREWS
 4 = SILICON FLAT GASKET & SCREWS
 G = NO GASKET, WITH SCREWS
 9 = NO FIXING SCREW AND GASKET WITH SPECIAL TERMINAL

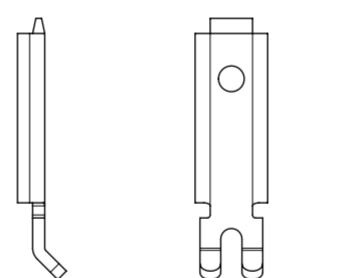
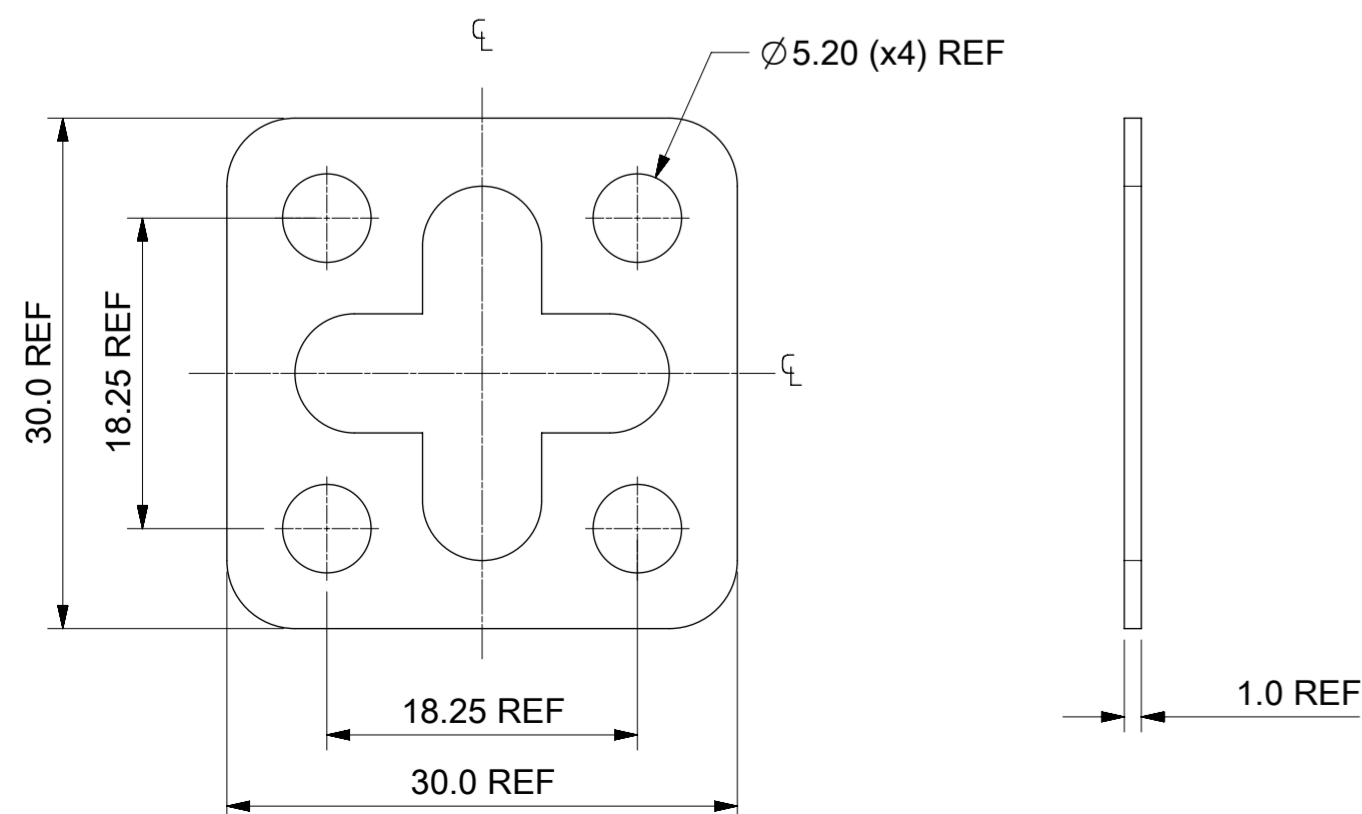
ADDITIONAL CODES
 SA= UL AGENCY APPROVAL

PART NO	MPM NO	DESCRIPTION	TERMINAL BEND ANGLE
1210120071	B262000N2	TYPE A 2P BLACK, NBR FLAT GASKET & SCREWS	30
1210120073	B262000N4	TYPE A 2P BLACK, SILICON FLAT GASKET & SCREWS	30
1210120076	B263000N2	TYPE A 3P BLACK, NBR FLAT GASKET & SCREWS	45
1210120078	B263000N4	TYPE A 3P BLACK, SILICON FLAT GASKET & SCREWS	45
1210120080	B263000W2	TYPE A 3P BLACK V0, NBR FLAT GASKET & SCREWS	45
1210120150	B262000W2	TYPE A 2P BLACK V0, NBR FLAT GASKET & SCREWS	30
1210120151	B263000G2	TYPE A 3P GRAY, NBR FLAT GASKET & SCREWS	45
1210120163	B262000NG	TYPE A 2P BLACK, SCREWS, NO GASKET	30
1210120174	B262000W2SA	TYPE A 2P BLACK UL 94-V0, NBR FLAT GASKET & SCREWS	30
1210120175	B263000W2SA	TYPE A 3P BLACK UL 94-V0, NBR FLAT GASKET & SCREWS	45
1210120197	B263000W9SA	TYPE A 3P BLACK UL94-V0, NO GASKET, NO FIXING SCREW, SPECIAL TERMINAL	45

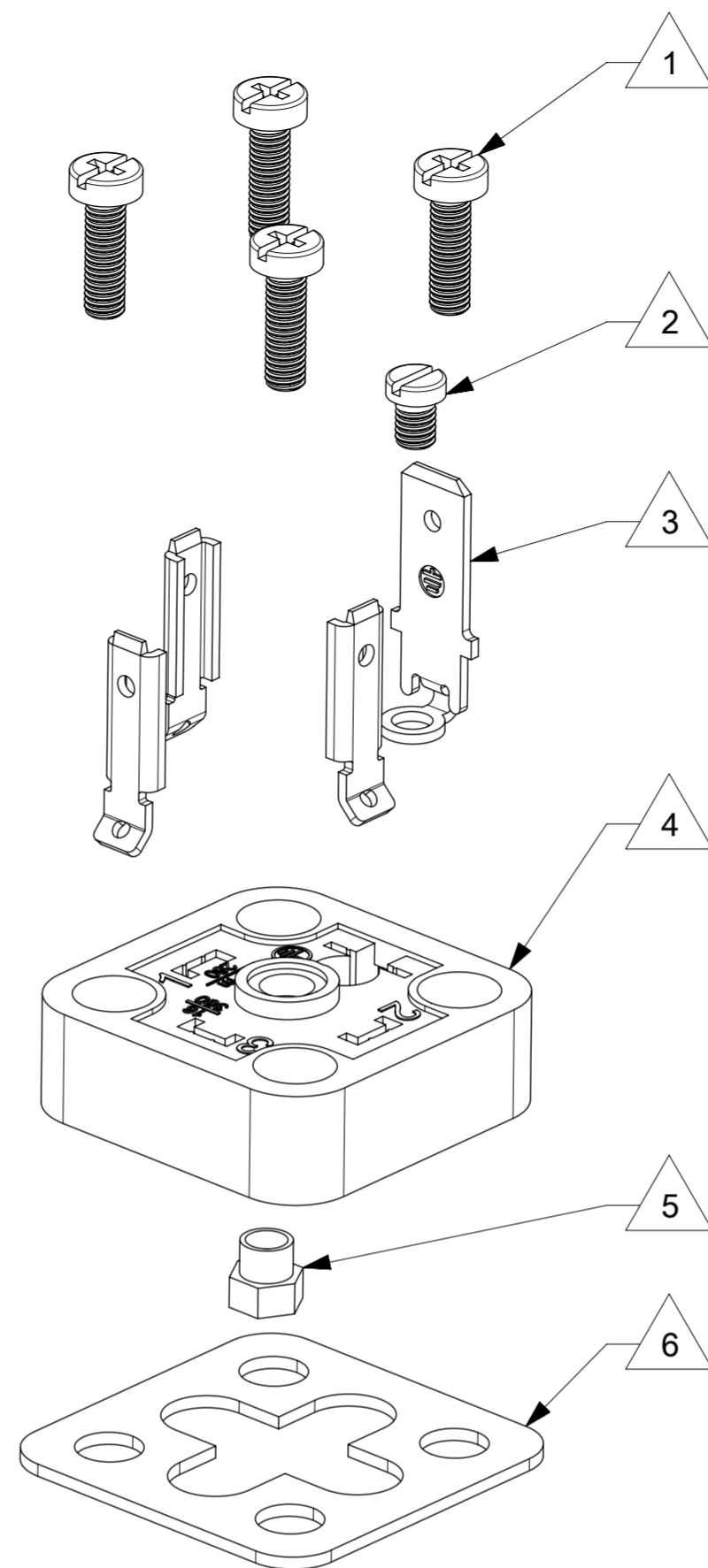
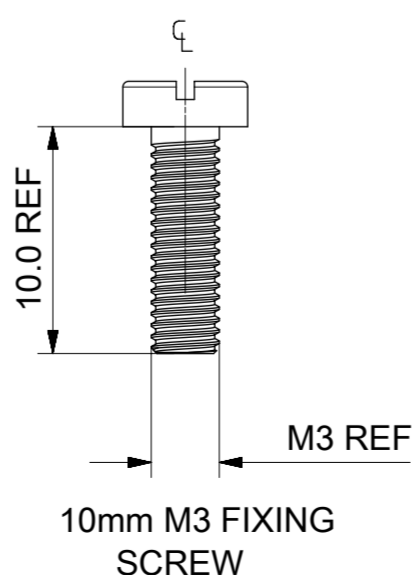
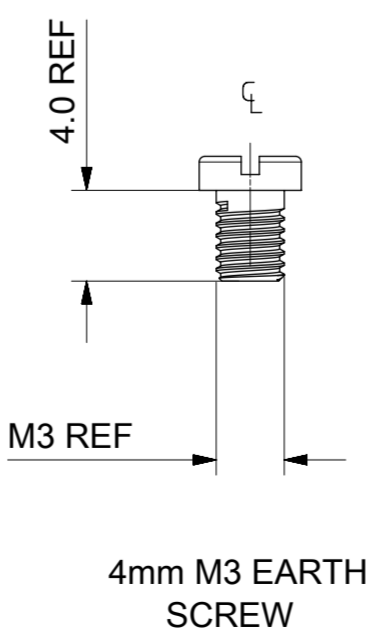
NOTES

- PLEASE SEE TABLE FOR CURRENTLY CONFIGURED PART NUMBERS. FOR SPECIFIC PART NUMBERS PLEASE CONTACT SALES OR CONSULT THE INTELLIGENT PART NUMBERS IN THE TABLE ATTACHED.
- FOR PACKAGING SEE PACKAGING SPEC PK-121012-B26
- PRODUCT SPEC: SEE PS-121201-001
- TERMINALS BENT AFTER INSERTION, SEE TABLE FOR BEND ANGLE

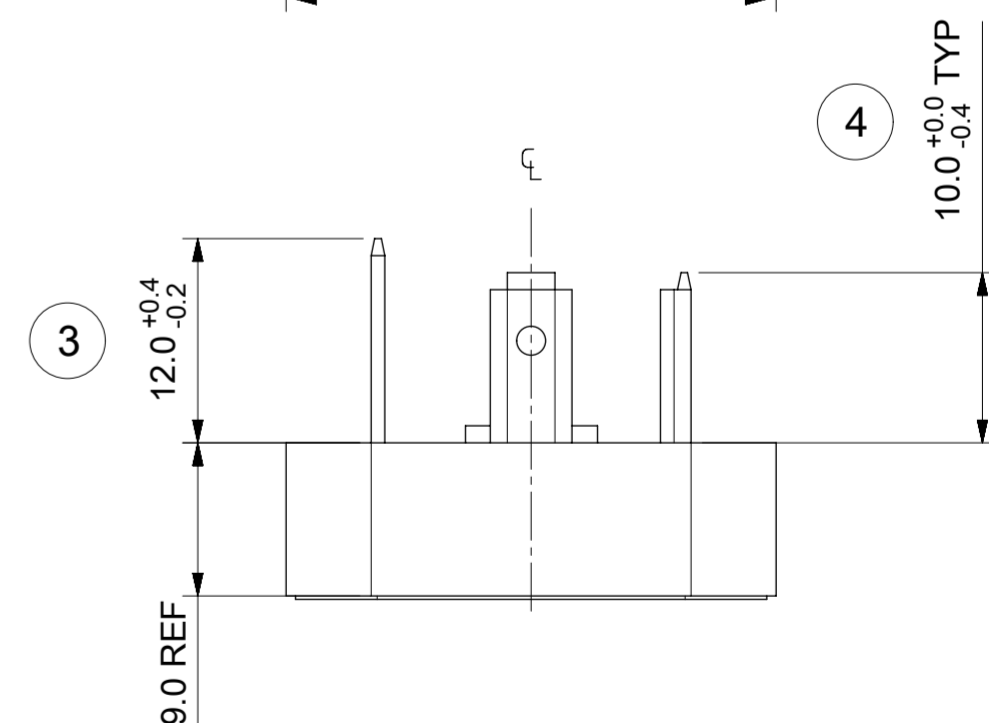
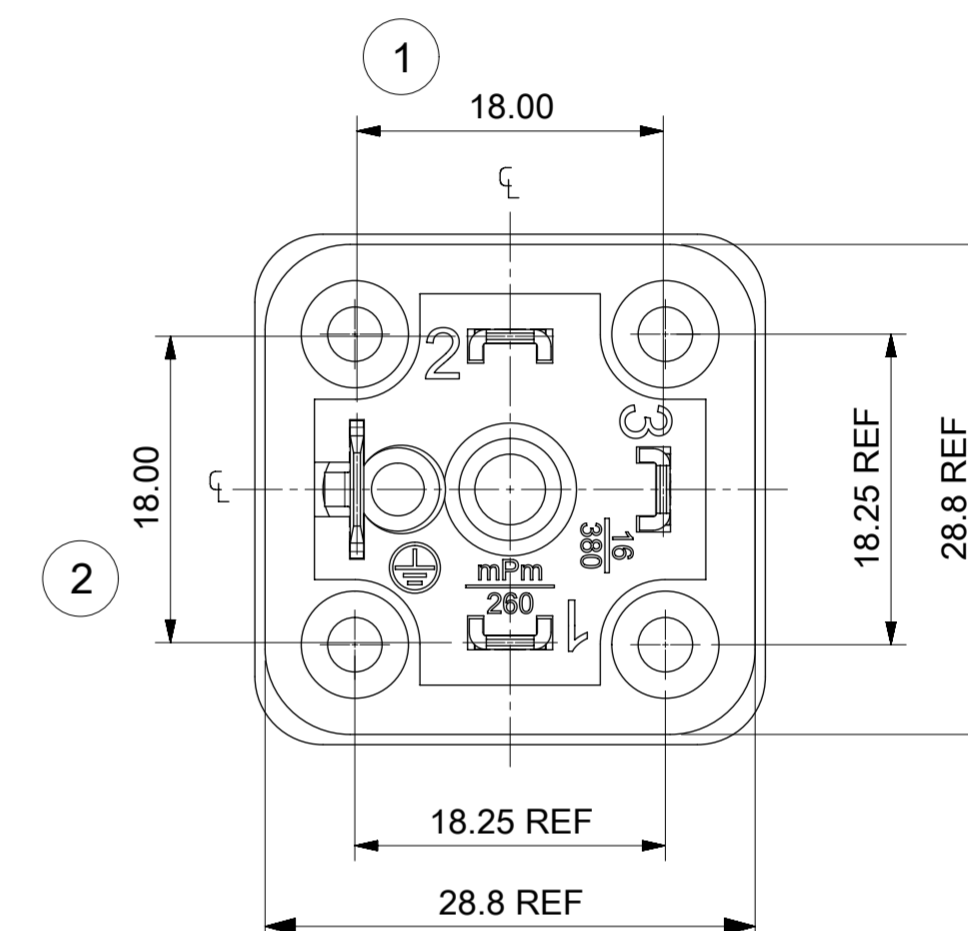
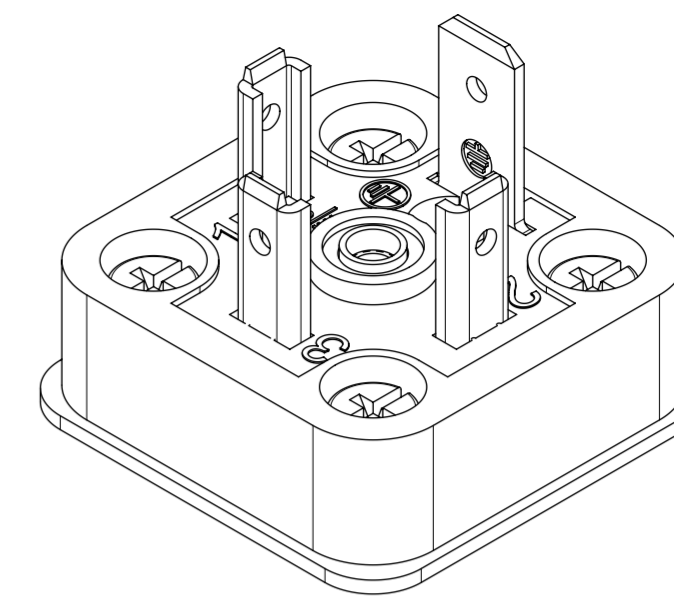
LAST INSPECTION NUMBER 4



SPECIAL TERMINAL
 1211200021



ITEM	DESCRIPTION
1	FIXING SCREW
2	EARTH SCREWS
3	TERMINALS
4	HOUSING
5	INSERT
6	GASKET



QUALITY SYMBOLS	THIS DRAWING CONTAINS INFORMATION THAT IS PROPRIETARY TO MOLEX ELECTRONIC TECHNOLOGIES, LLC AND SHOULD NOT BE USED WITHOUT WRITTEN PERMISSION		GENERAL TOLERANCES (UNLESS SPECIFIED)		DIMENSION UNITS	SCALE			
▽ = 0	▽ = 0	▽ = 0	▽ = 0	▽ = 0	MM				
▽ = 0	▽ = 0	▽ = 0	▽ = 0	▽ = 0	ANGULAR TOL ± 2.0 °		PRODUCT CUSTOMER DRAWING		
▽ = 0	▽ = 0	▽ = 0	▽ = 0	▽ = 0	4 PLACES ±		SERIES	MATERIAL NUMBER	CUSTOMER
▽ = 0	▽ = 0	▽ = 0	▽ = 0	▽ = 0	3 PLACES ±		121012	SEE TABLE	GENERAL MARKET
▽ = 0	▽ = 0	▽ = 0	▽ = 0	▽ = 0	2 PLACES ± 0.1		DOCUMENT NUMBER	DOC TYPE	DOC PART
▽ = 0	▽ = 0	▽ = 0	▽ = 0	▽ = 0	1 PLACE ± 0.2		SD-121012-002	PSD	000
▽ = 0	▽ = 0	▽ = 0	▽ = 0	▽ = 0	0 PLACES ±		SHEET NUMBER		
▽ = 0	▽ = 0	▽ = 0	▽ = 0	▽ = 0	DRAFT WHERE APPLICABLE MUST REMAIN WITHIN DIMENSIONS		1 OF 1		
▽ = 0	▽ = 0	▽ = 0	▽ = 0	▽ = 0	DRAWING SIZE	THIRD ANGLE PROJECTION			
▽ = 0	▽ = 0	▽ = 0	▽ = 0	▽ = 0	A2				