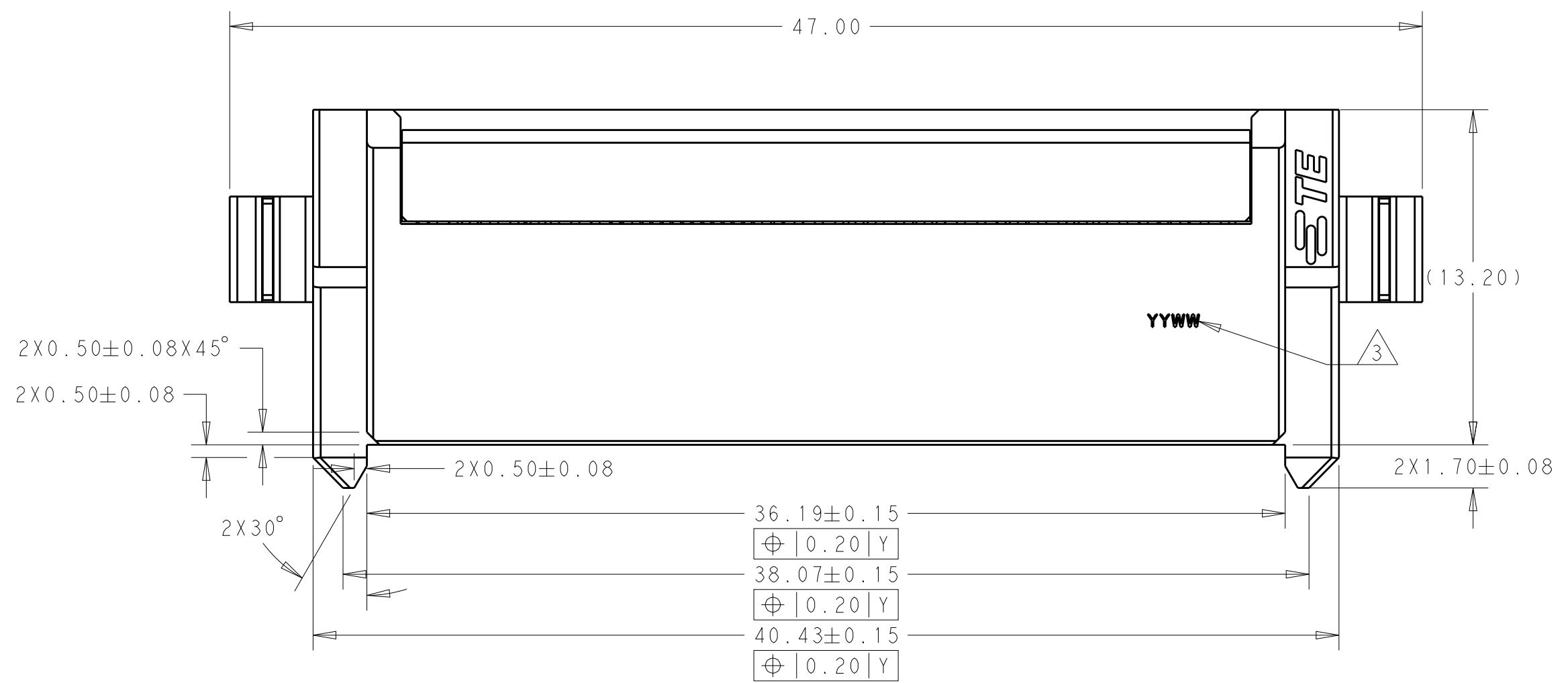
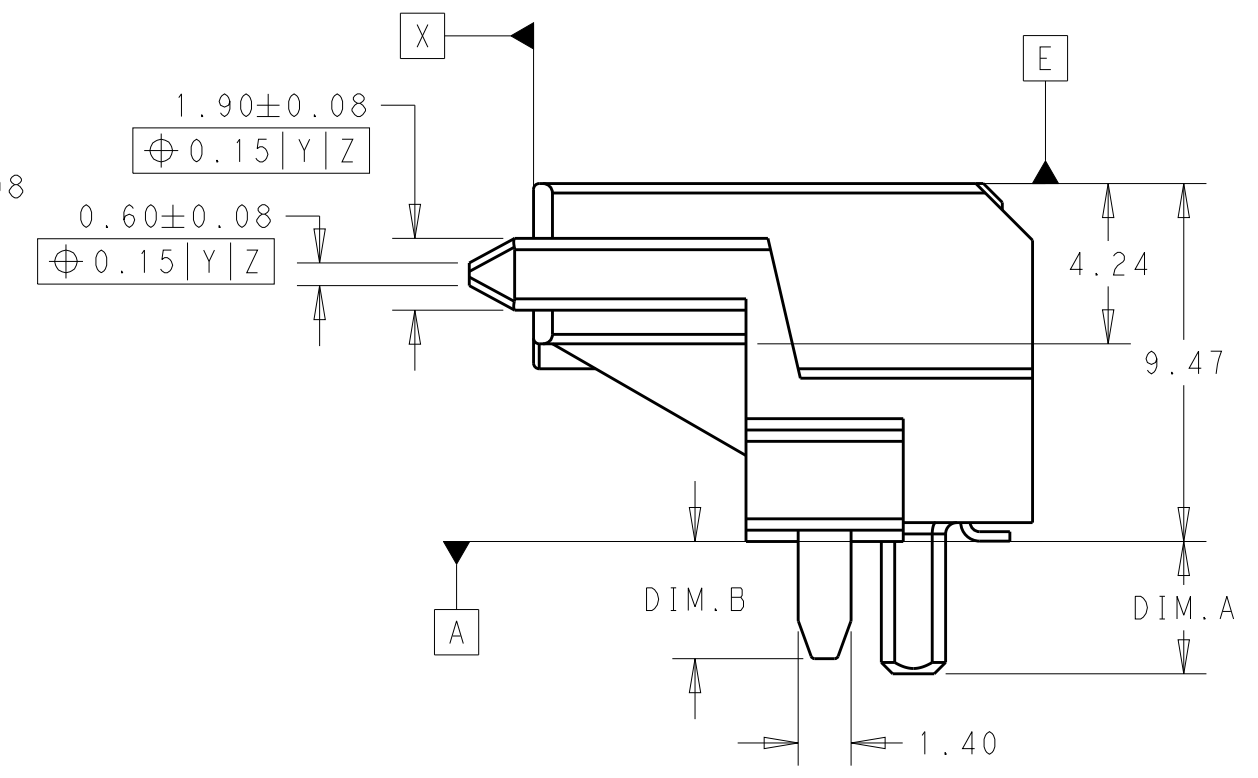
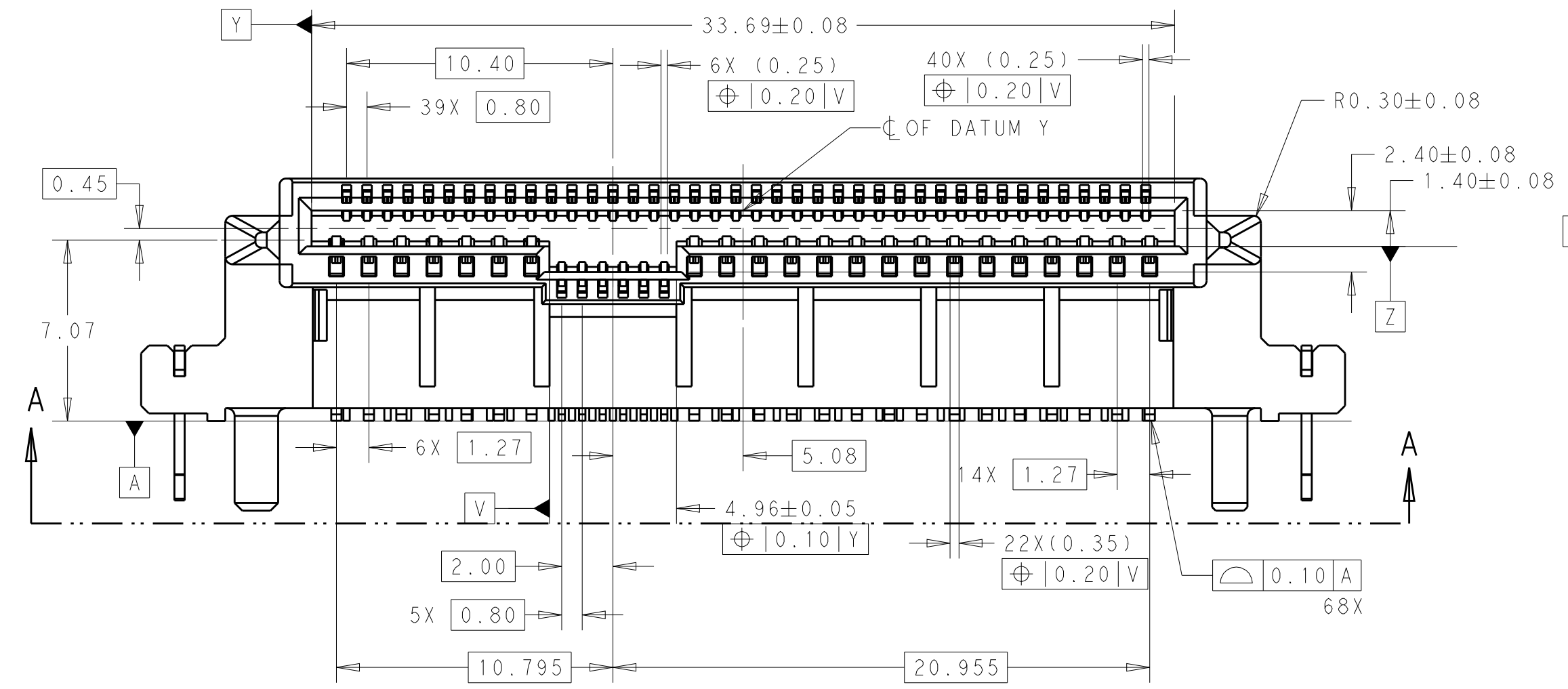


THIS DRAWING IS UNPUBLISHED. RELEASED FOR PUBLICATION
 © COPYRIGHT copyright.d8te- ALL RIGHTS RESERVED.

REVISIONS				
P	LTR	DESCRIPTION	DATE	APVD
A		RELEASED FOR PRODUCTION	20APR2017	TX SH
B		REVISED PER ECO-17-012209	21AUG2017	TX SH
C		REVISED PER ECO-18-008726	04JUN2018	TX SH



NOTES:
 1. MATERIAL:
 HOUSING: LCP, GLASS FILLED, UL 94V-0, COLOR: BLACK
 TERMINAL: COPPER ALLOY
 PCB HOLD-DOWN: COPPER ALLOY
 2. PLATING:
 TERMINAL:
 CONTACT AREA: 0.76µm MIN GOLD PLATING
 SOLDER TAIL: 2.54µm MIN TIN PLATING
 UNDERPLATE: 1.27µm MIN NICKEL PLATING
 PCB HOLD-DOWN: 2.54µm MIN TIN OVER 1.27µm NICKEL PLATING
 3. △TE LOGO, DATE CODE TO BE LOCATED APPROXIMATELY AS SHOWN.
 NON-FUNCTIONAL CORING MAY VARY.
 4. CONNECTOR COMES WITH A CAP TO BE REMOVED AFTER SOLDERING



TAPE&REEL	2.10	2.10	2309567-2
TAPE&REEL	3.10	3.50	2309567-1
PACKAGE	DIM.B	DIM.A	PART NUMBER

THIS DRAWING IS A CONTROLLED DOCUMENT.

DWN	TIM XUE	14SEP2016
CHK	SEAN HAN	14SEP2016
APVD	SEAN HAN	14SEP2016

TE Connectivity

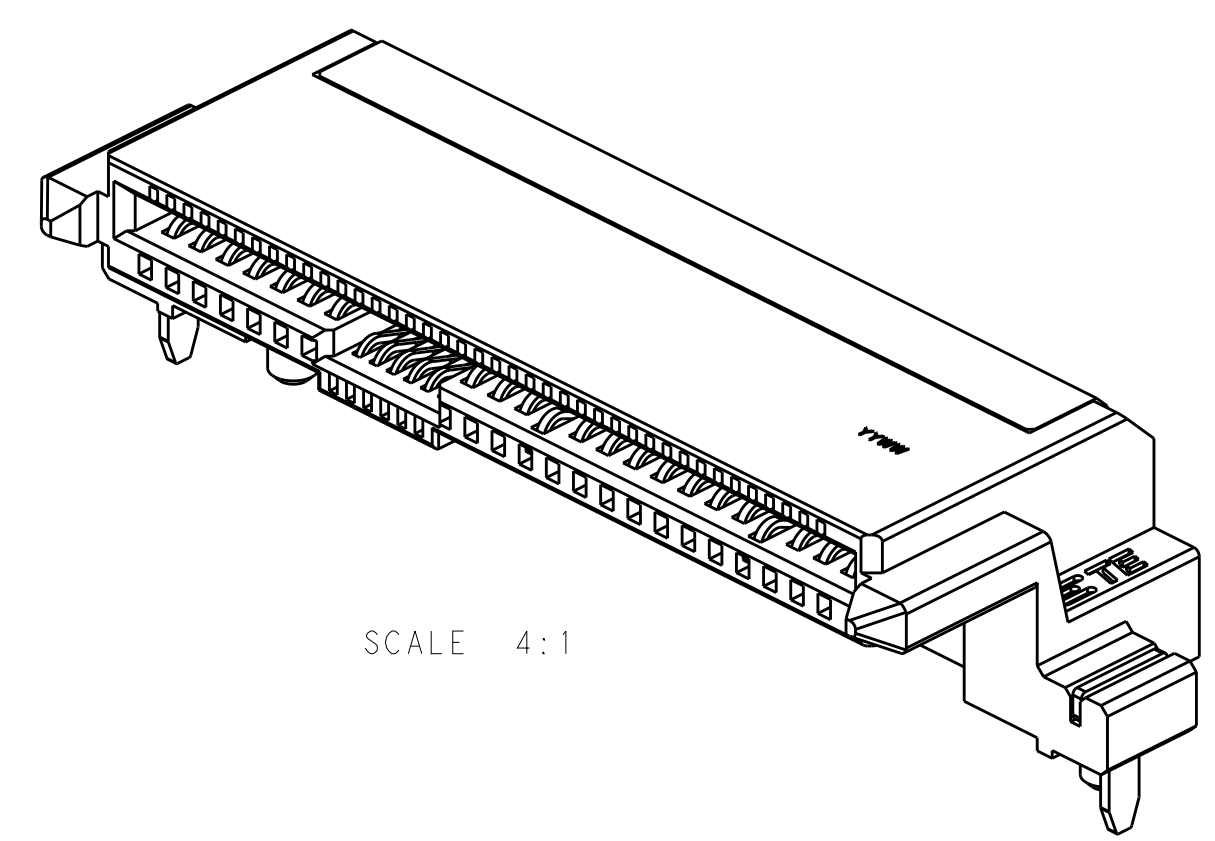
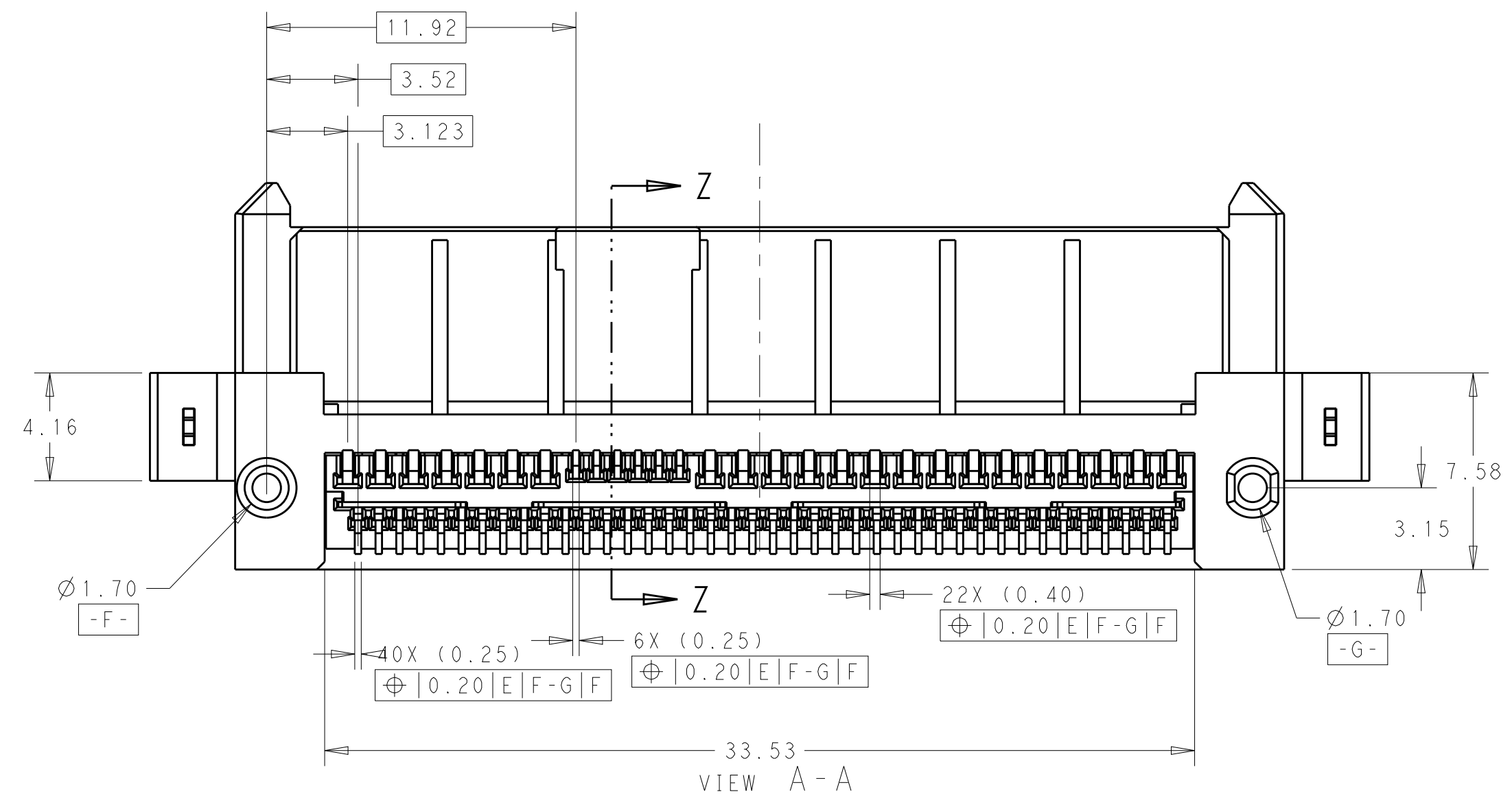
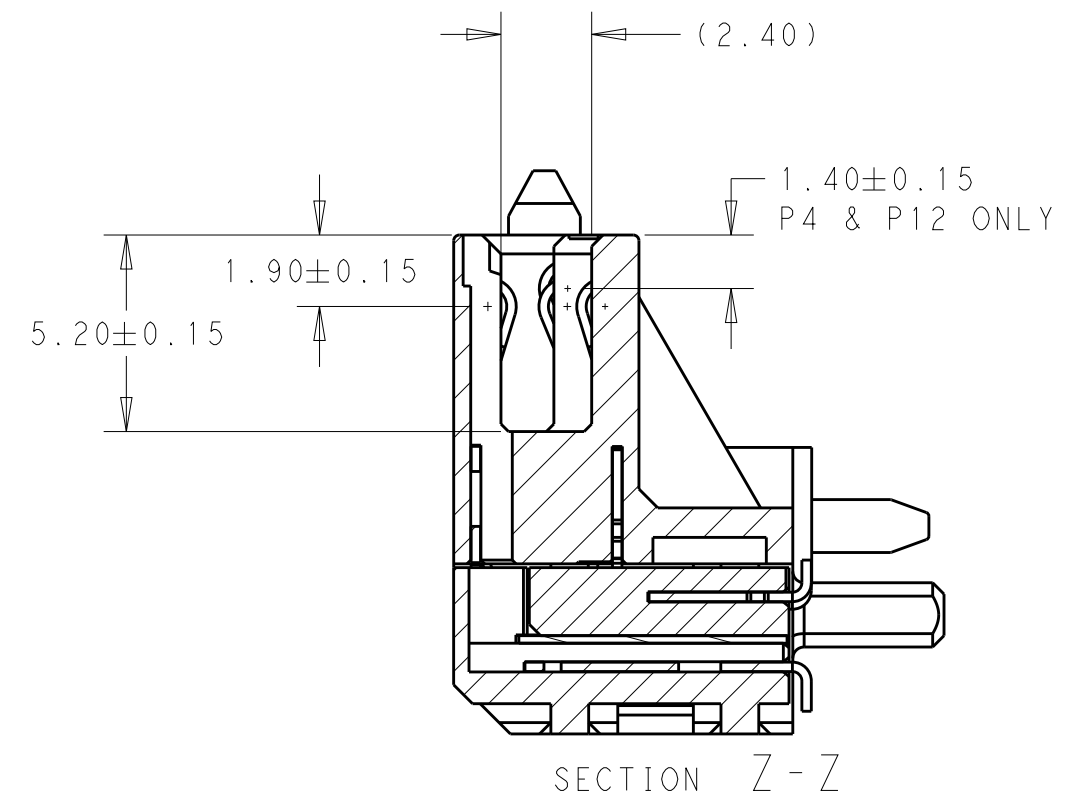
NAME: SAS/PCIE, RECEPTACLE
 SMT, RIGHT ANGLE TYPE

SIZE	CAGE CODE	DRAWING NO	RESTRICTED TO
A2		C-2309567	

CUSTOMER DRAWING SCALE 1:1 SHEET 1 OF 4 REV C

THIS DRAWING IS UNPUBLISHED. RELEASED FOR PUBLICATION
 © COPYRIGHT copyright.d8Te- ALL RIGHTS RESERVED.

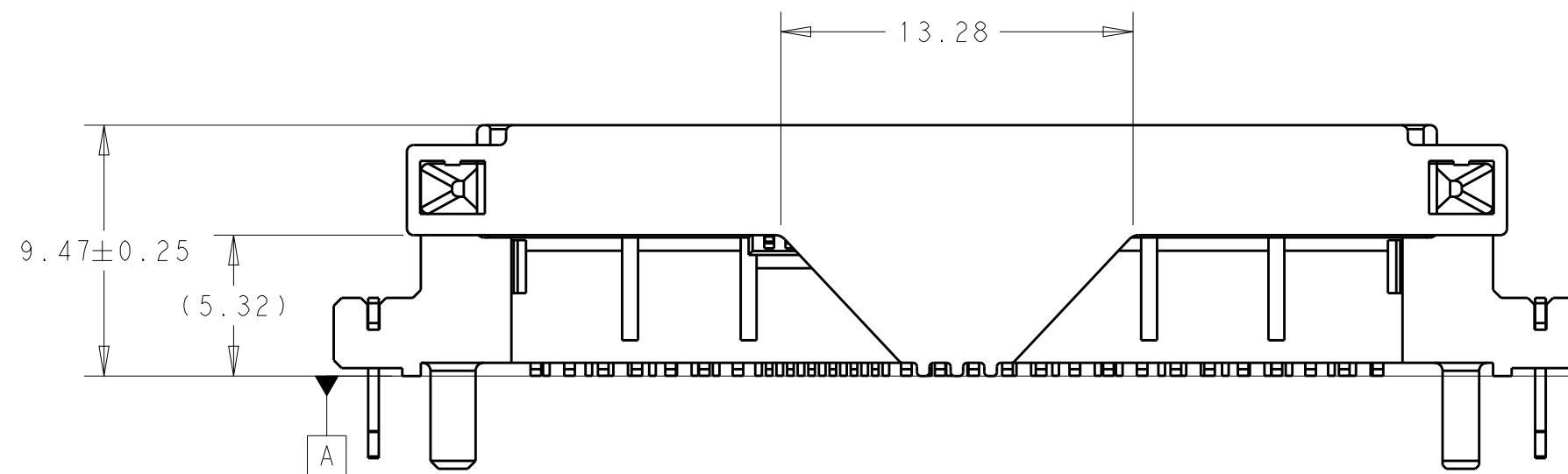
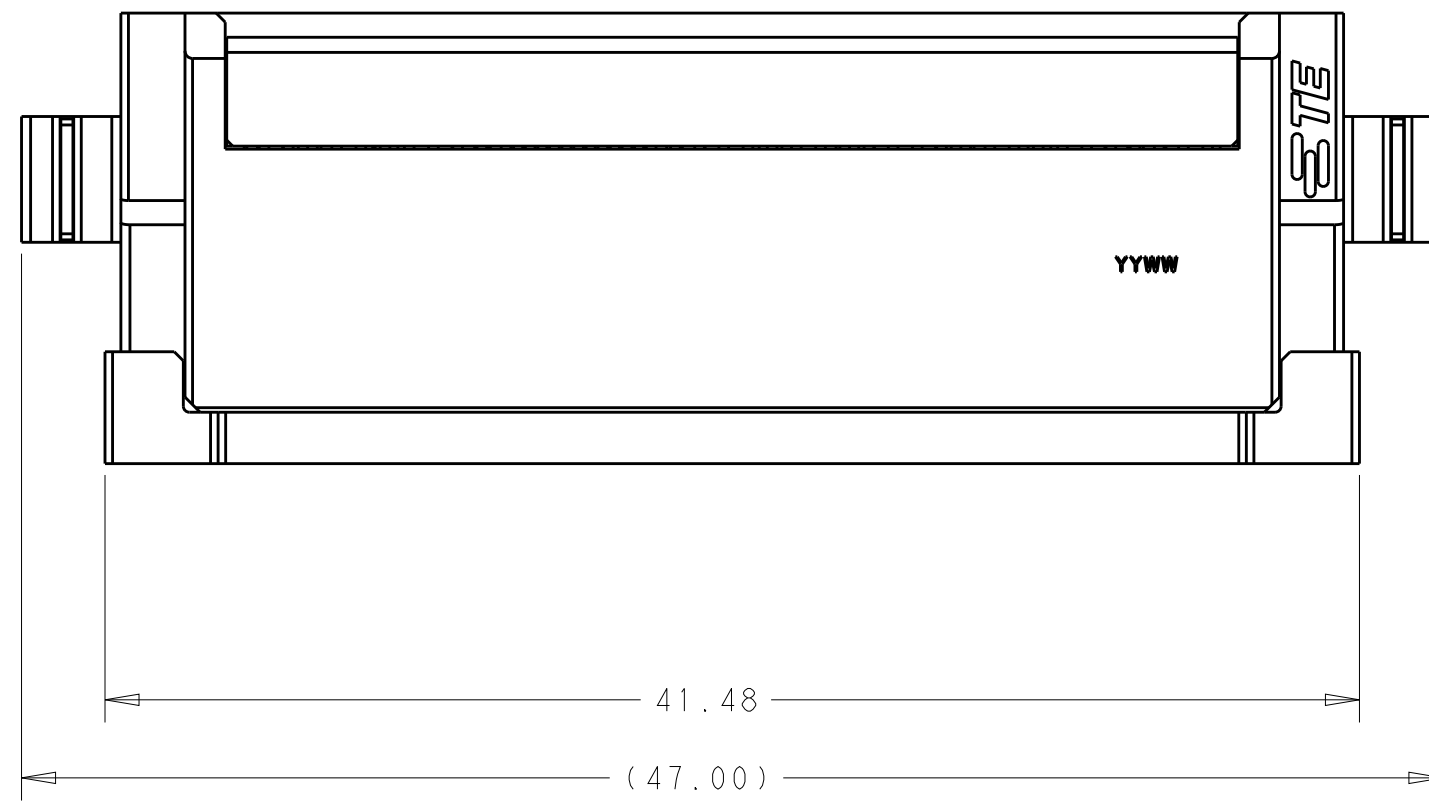
REVISIONS				
P	LTR	DESCRIPTION	DATE	APVD
-	-	SEE SHEET 1	-	-



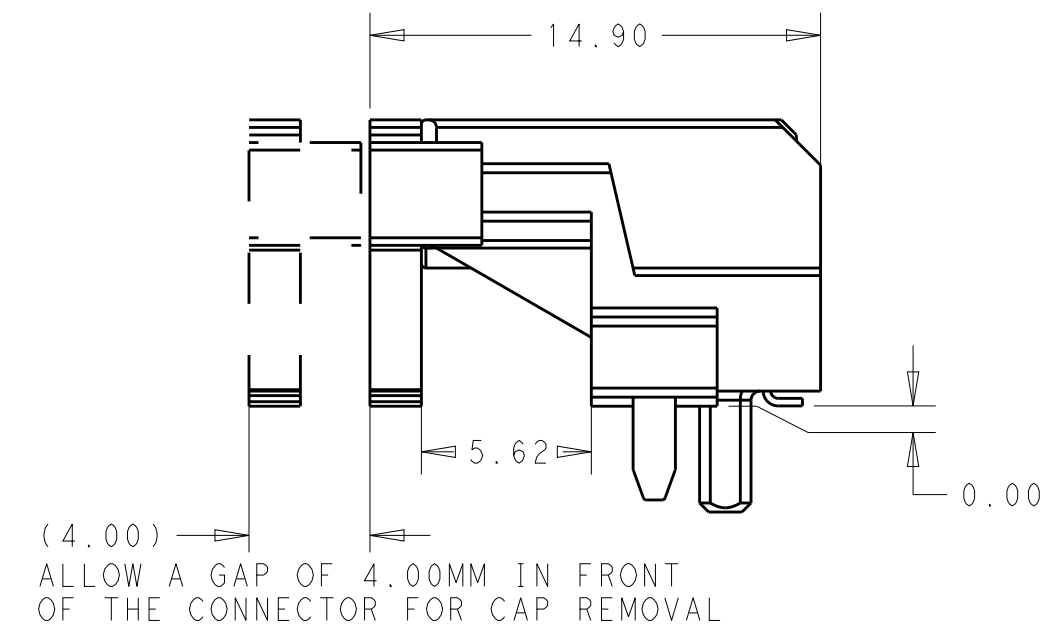
THIS DRAWING IS A CONTROLLED DOCUMENT.		DWN TIM XUE 14SEP2016	TE Connectivity															
DIMENSIONS: mm		CHK SEAN HAN 14SEP2016																
TOLERANCES UNLESS OTHERWISE SPECIFIED:		APVD SEAN HAN 14SEP2016	NAME SAS/PCIe, RECEPTACLE SMT, RIGHT ANGLE TYPE															
<table border="1"> <tr><td>0 PLC</td><td>±</td></tr> <tr><td>1 PLC</td><td>±0.25</td></tr> <tr><td>2 PLC</td><td>±0.20</td></tr> <tr><td>3 PLC</td><td>±0.20</td></tr> <tr><td>4 PLC</td><td>±</td></tr> <tr><td>ANGLES</td><td>±3°</td></tr> <tr><td>FINISH</td><td>-</td></tr> </table>		0 PLC	±	1 PLC	±0.25	2 PLC	±0.20	3 PLC	±0.20	4 PLC	±	ANGLES	±3°	FINISH	-	PRODUCT SPEC -	SIZE A2	RESTRICTED TO -
0 PLC	±																	
1 PLC	±0.25																	
2 PLC	±0.20																	
3 PLC	±0.20																	
4 PLC	±																	
ANGLES	±3°																	
FINISH	-																	
MATERIAL -		APPLICATION SPEC -	CAGE CODE C-2309567															
		WEIGHT -	DRAWING NO C-2309567															
		CUSTOMER DRAWING	SCALE 1:1	SHEET 2 OF 4 REV C														

THIS DRAWING IS UNPUBLISHED. RELEASED FOR PUBLICATION
 © COPYRIGHT copyright.d8Te- ALL RIGHTS RESERVED.

REVISIONS				
P	LTR	DESCRIPTION	DATE	APVD
-		SEE SHEET 1	-	-



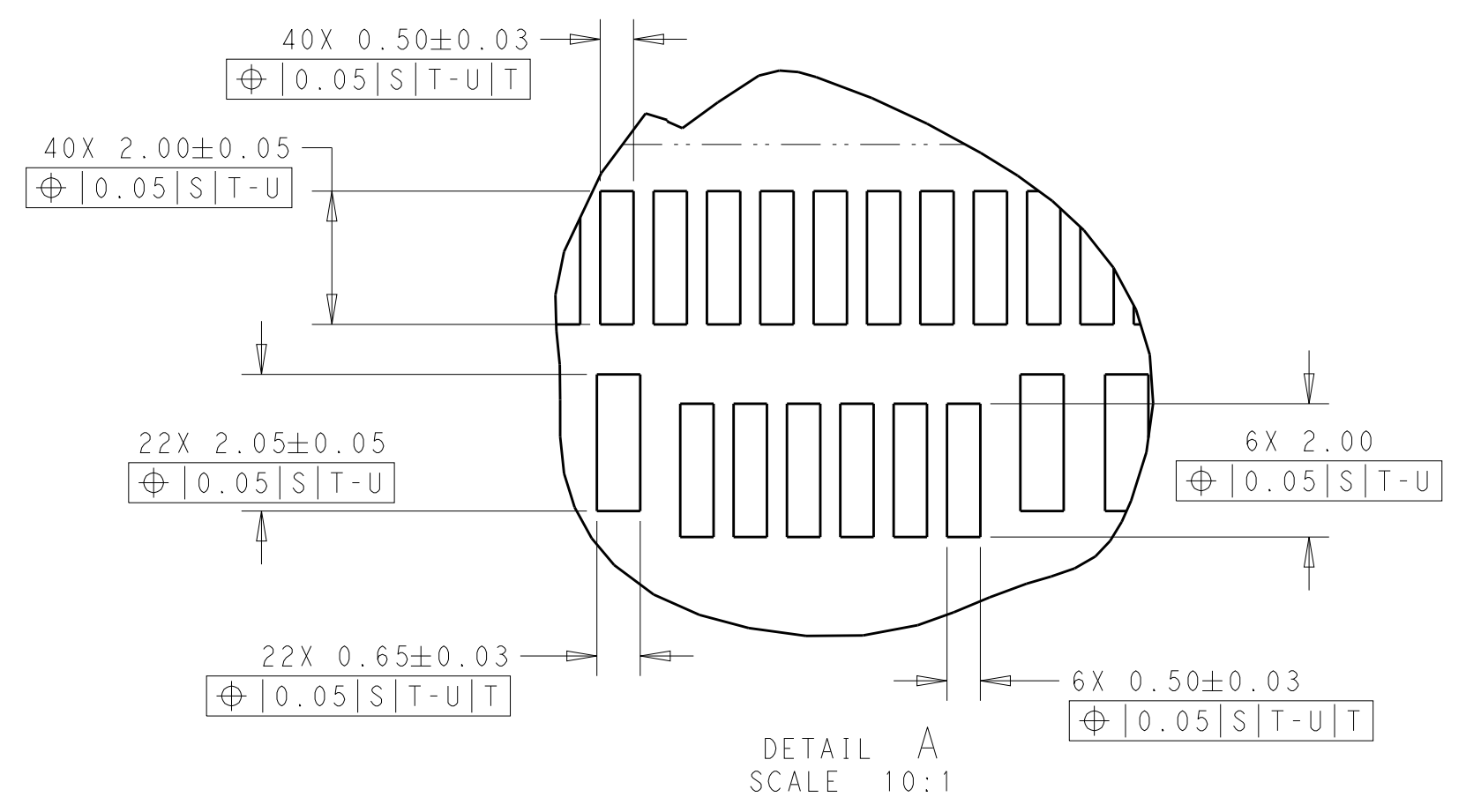
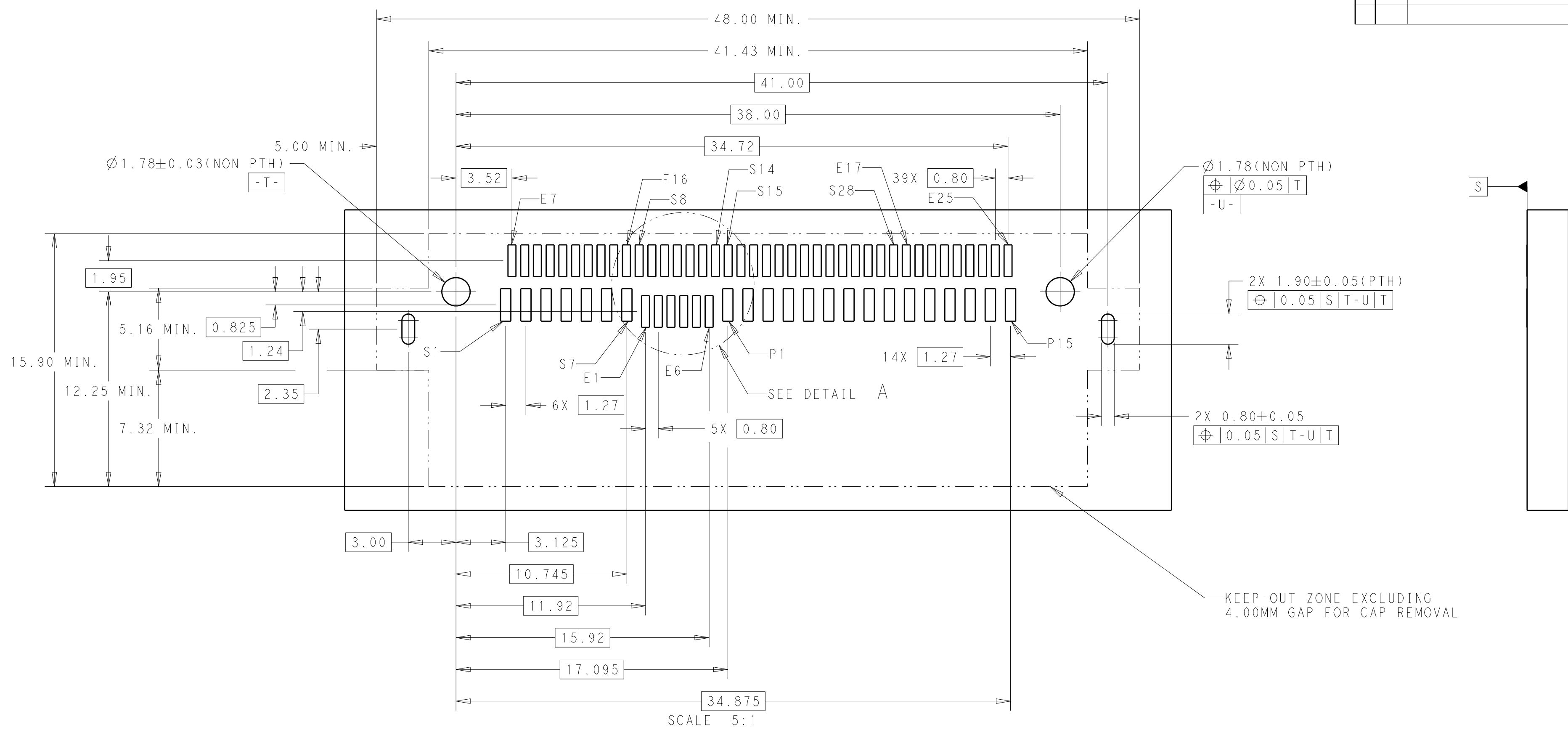
CONNECTOR OUTLINE WITH CAP
 SCALE 4:1



THIS DRAWING IS A CONTROLLED DOCUMENT.		DWN TIM XUE 14SEP2016	TE Connectivity	
DIMENSIONS:		CHK SEAN HAN 14SEP2016		
mm	TOLERANCES UNLESS OTHERWISE SPECIFIED:	APVD SEAN HAN 14SEP2016	NAME SAS/PCIe, RECEPTACLE SMT, RIGHT ANGLE TYPE	
	0 PLC ± 1 PLC ±0.25 2 PLC ±0.20 3 PLC ±0.20 4 PLC ± ANGLES ±3° FINISH -	PRODUCT SPEC -	SIZE A2	CAGE CODE C-2309567
MATERIAL -		APPLICATION SPEC -	DRAWING NO C-2309567	RESTRICTED TO -
		WEIGHT -	SCALE 1:1	SHEET 3 OF 4
		CUSTOMER DRAWING		REV C

THIS DRAWING IS UNPUBLISHED. RELEASED FOR PUBLICATION
 © COPYRIGHT copyright.d8Te- ALL RIGHTS RESERVED.

REVISIONS				
P	LTR	DESCRIPTION	DATE	APVD
-	-	SEE SHEET 1	-	-



THIS DRAWING IS A CONTROLLED DOCUMENT.		DWN TIM XUE 14SEP2016	TE Connectivity	
DIMENSIONS: mm		CHK SEAN HAN 14SEP2016		
TOLERANCES UNLESS OTHERWISE SPECIFIED:		APVD SEAN HAN 14SEP2016	NAME SAS/PCIe, RECEPTACLE SMT, RIGHT ANGLE TYPE	
0 PLC ±		PRODUCT SPEC	SIZE A2	
1 PLC ±0.25		APPLICATION SPEC	CAGE CODE C-2309567	
2 PLC ±0.20		WEIGHT	DRAWING NO C-2309567	
3 PLC ±0.20		CUSTOMER DRAWING	RESTRICTED TO	
4 PLC ±		SCALE 1:1	SHEET 4 OF 4	
ANGLES ±3°		REV C		
FINISH				