

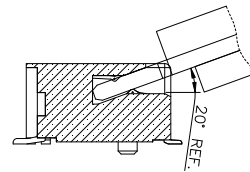
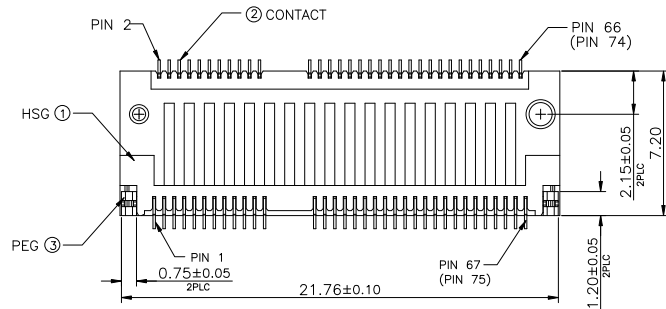
NOTES:

1. MATERIAL:
  - 1.1 HOUSING: HIGH TEMPERATURE THERMOPLASTIC, UL94V-0, COLOR: BLACK.
  - 1.2 CONTACT: COPPER ALLOY.
  - 1.3 SOLDER PEG: STAINLESS STEEL.
2. FINISH:
  - 2.1 CONTACT:
    - UNDERPLATING NICKEL 50u" MIN OVERALL
    - MATING AREA: GOLD PLATING, THICKNESS SEE TABLE
    - SOLDER AREA: GOLD FLASH 1u" MIN.
  - 2.2 SOLDER PEG:
    - UNDERPLATING NICKEL 50u" MIN OVERALL
    - 80u" MIN MATTE TIN ON SURFACE
3. DATE CODE : YYWDXLX
  - YY: YEAR (09: 2009)
  - WW: WEEK (25: THE 25TH WEEK)
  - D: DAY (1~7: SUNDAY~SATURDAY)
  - L: LINE NUMBER OF ASSEMBLY (A: LINE A)
  - X: D OR N (D: DAY; N: NIGHT)
4. PRODUCT SPECIFICATION SEE FCI GS-12-1195
5. PART NUMBER DESCRIPTION:
  - 10128794-00XRLF

LF: LEAD FREE & RoHS COMPLIANCE

PACKAGE CODE:  
R: TAPE & REEL PACKING  
PLATING CODE:

- 1: GOLD FLASH ON CONTACT AREA
- 4: 15u" Min GOLD ON CONTACT AREA
- 5: 30u" Min GOLD ON CONTACT AREA



MATING ANGLE ILLUSTRATION

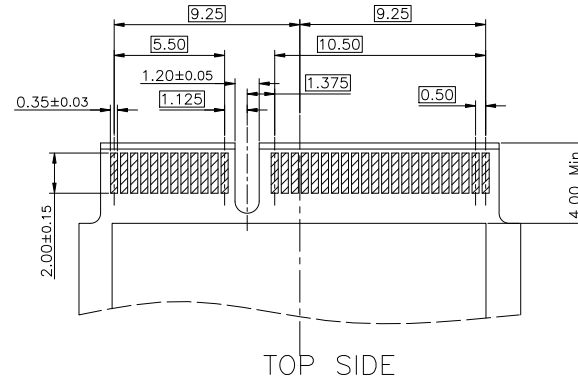
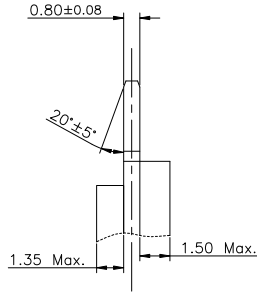
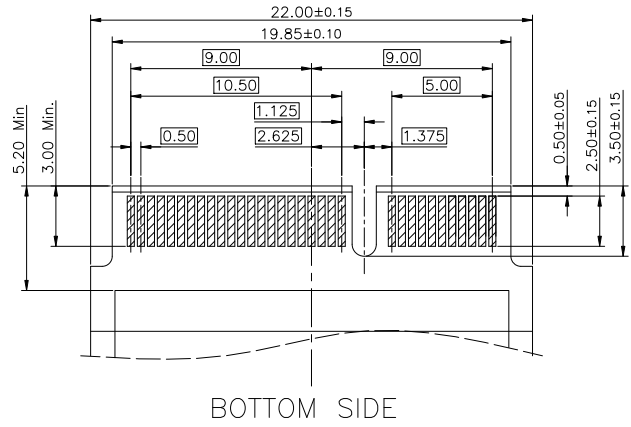
30u" Au	10128794-005RLF
15u" Au	10128794-004RLF
GOLD FLASH	10128794-001RLF
CONTACT AREA	FCI P/N

mat'l. code				surface		tolerance		projection		product family	
ltr	ecn no	dr	date	tolerances unless otherwise specified		mm		mm		title	
A		BF	2013-04-18	angles	.X ±0.3	mm		M.2 CONNECTOR		4.2H_STD_KEY E	
B	ELX-T-19318	TAI	2014-11-10	1.0	.XX ±0.25	mm		scale			
C	ELX-T-20858	TAI	2015-05-11	X*±2"	.XXX ±0.05	mm		scale			
				dr	BEER FU	2013-05-02		FCI		dwg no sheet 1 of 3 size	
				enr	BEER FU	2013-05-02				10128794 A4	
				chr	BEER FU	2013-05-02				type Customer Drawing	
				appd	BEER FU	2013-05-02					
sheet index	revision sheet	C	C	C							
		1	2	3							

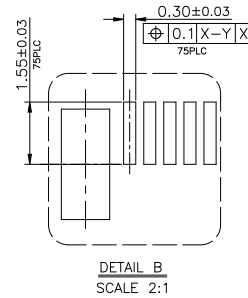
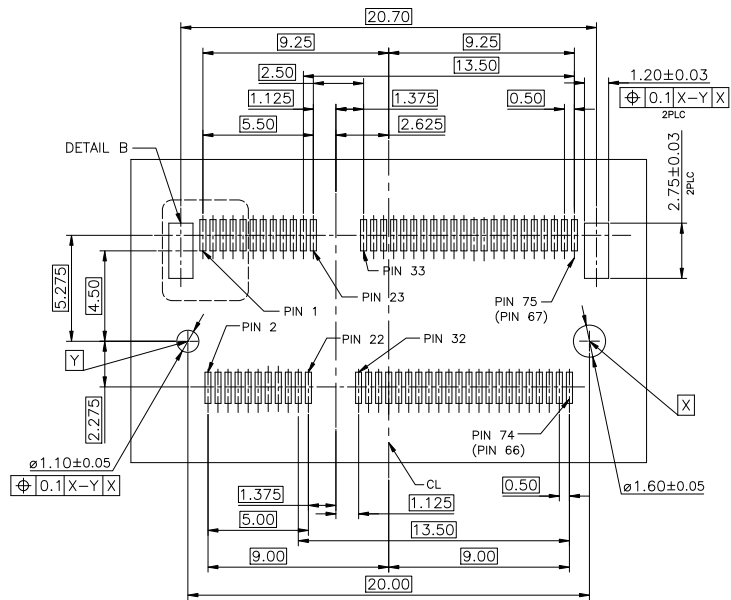
**HF**  
Halogen Free



### PLUG PCB



### RECOMMENDED PCB LAYOUT



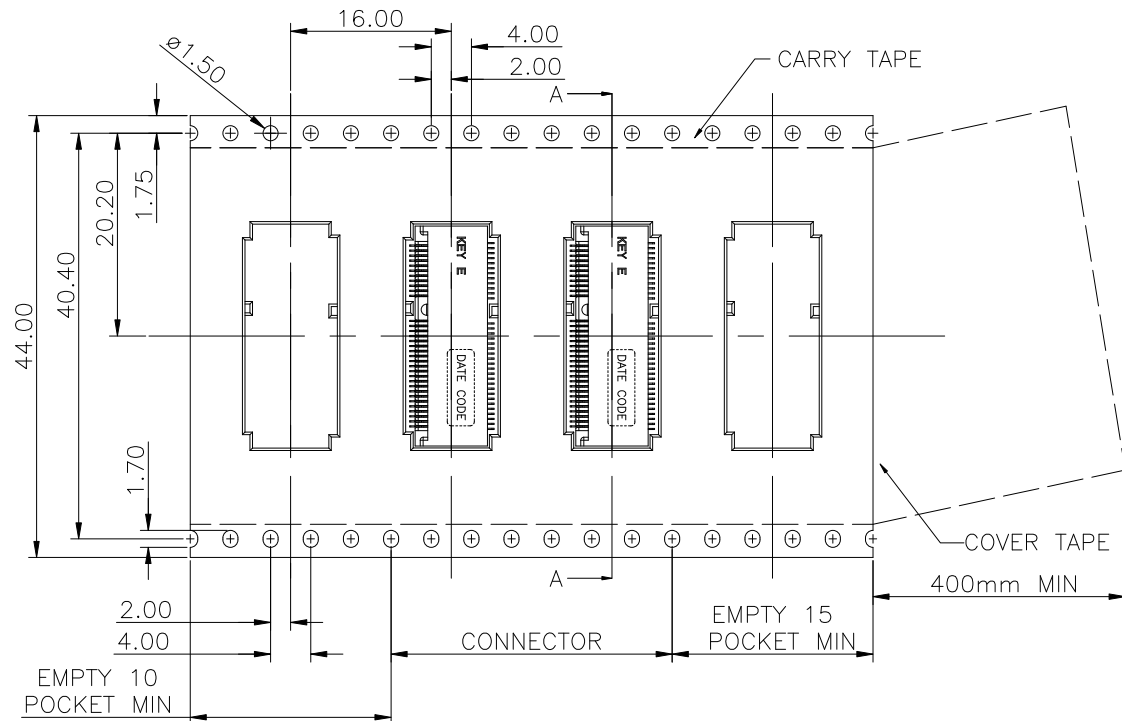
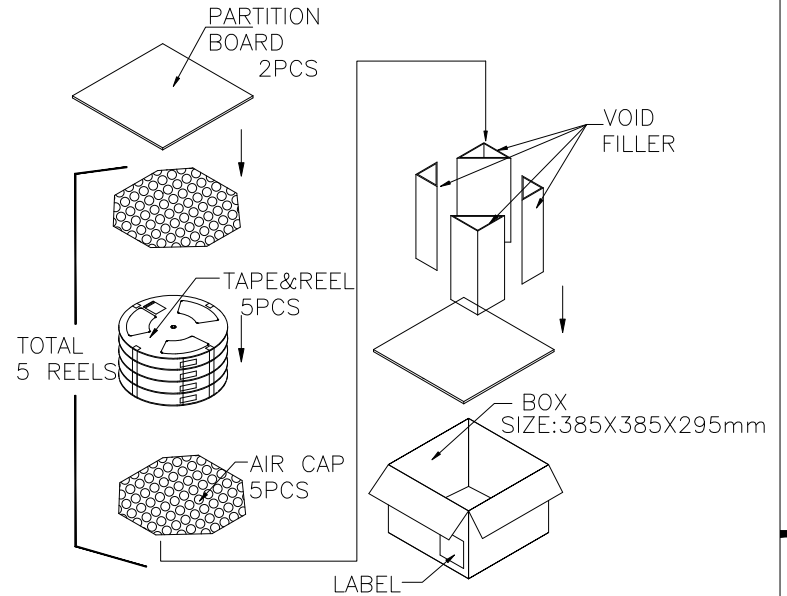
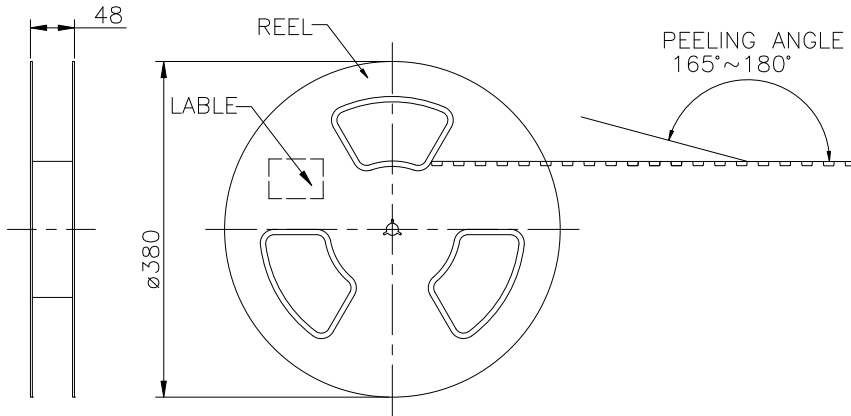
	dwg no	sheet 2 of 3	size
	10128794		A4
	type Customer Drawing		

sheet index	revision sheet	C 1	C 2	C 3															
-------------	----------------	-----	-----	-----	--	--	--	--	--	--	--	--	--	--	--	--	--	--	--

**HF**  
Halogen Free



FEEDING DIRECTION →



1100	5	5500	10.33Kg	5.53Kg
PCS/TAPE	REELS/BOX	PCS/BOX	GROSS WEIGHT	NET WEIGHT

	dwg no	sheet 3 of 3	size
	10128794		A4
	type Customer Drawing		

sheet index	revision sheet	C	C	C															
	1	2	3																