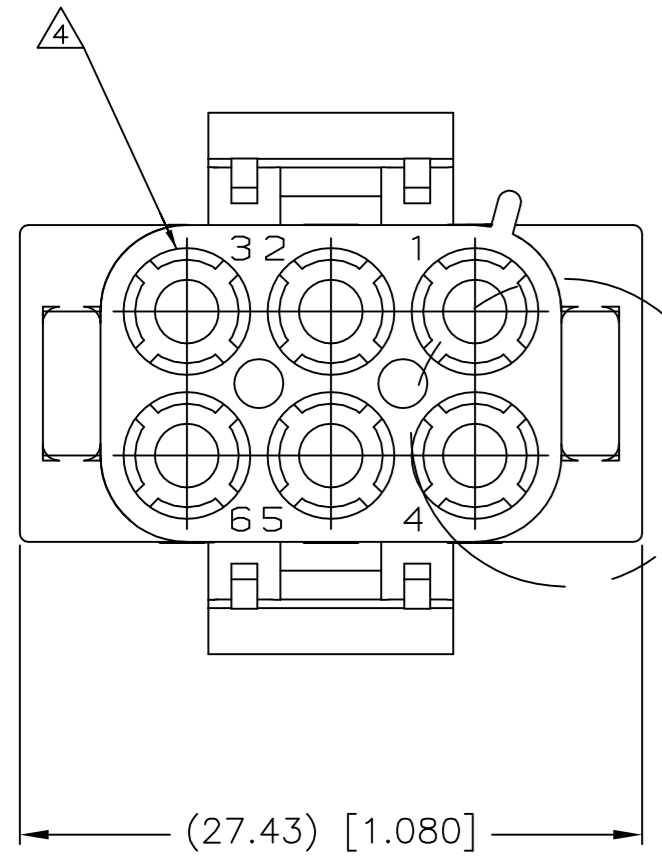
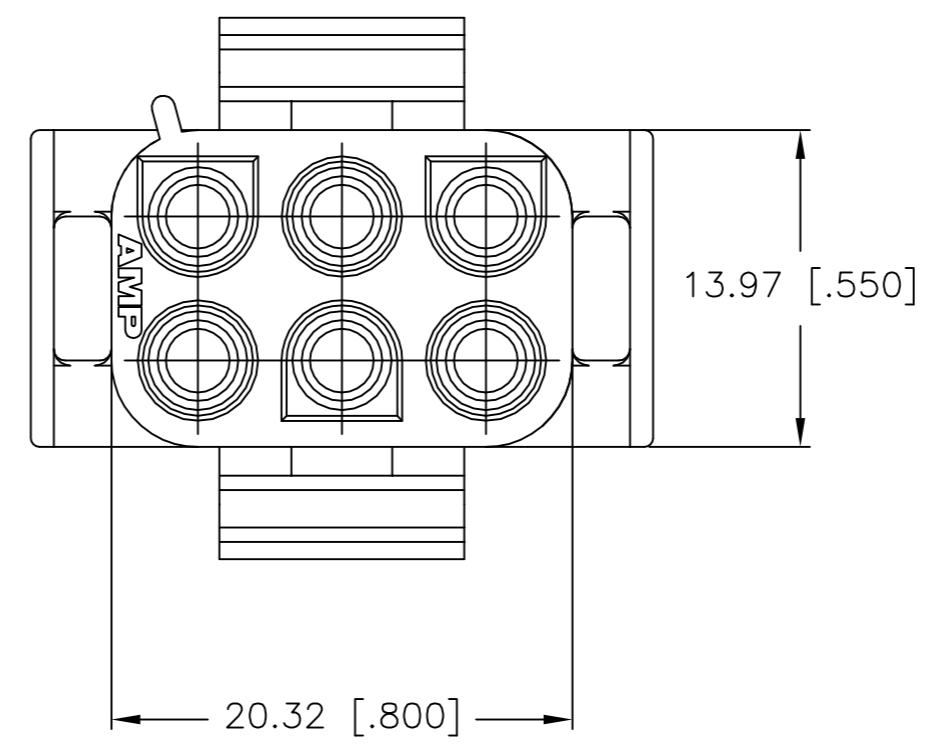
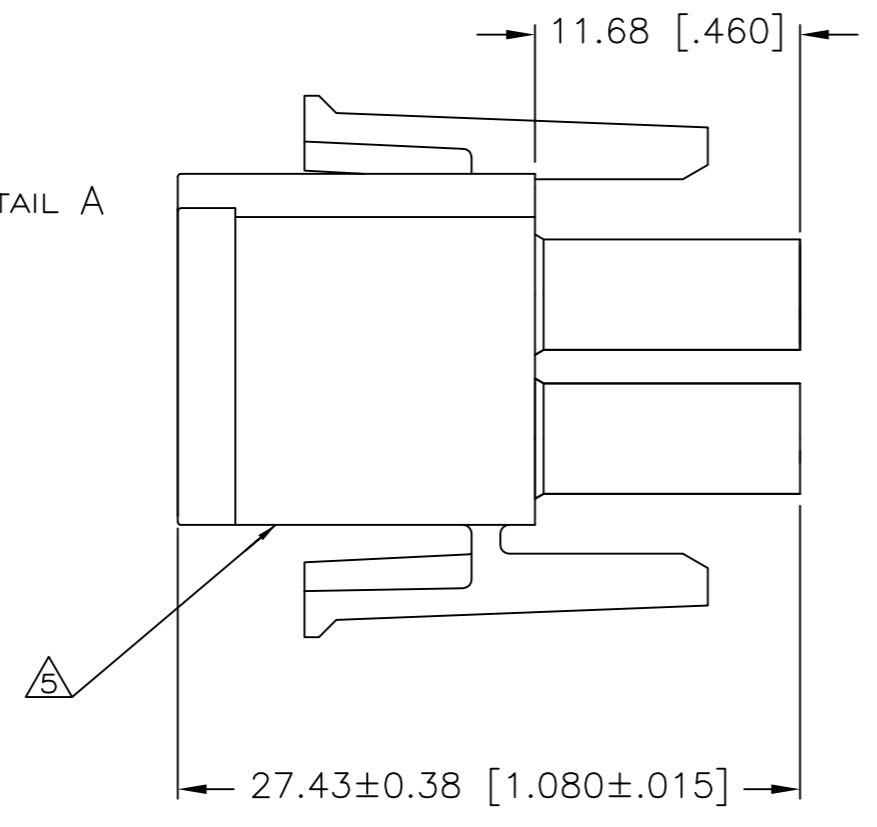


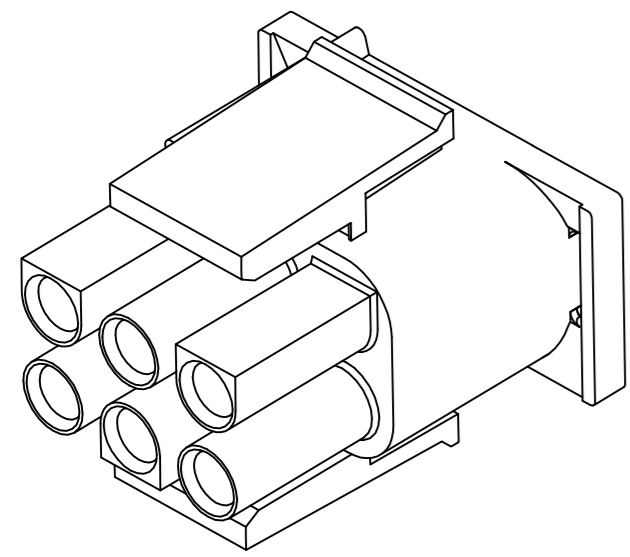
| REVISIONS | | | | |
|-----------|-----|---------------------------|-----------|--------|
| P | LTR | DESCRIPTION | DATE | APVD |
| A | | REVISED PER ECR-17-015449 | 26OCT2017 | BDA KR |



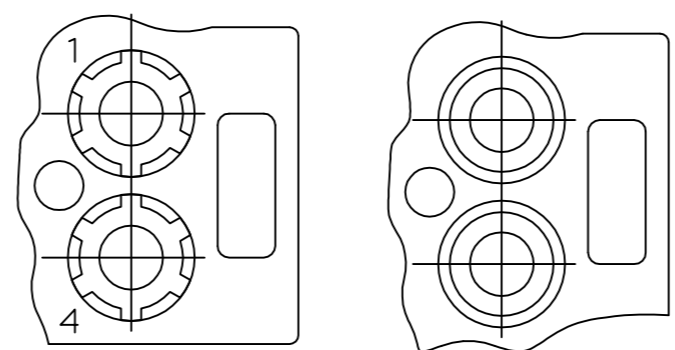
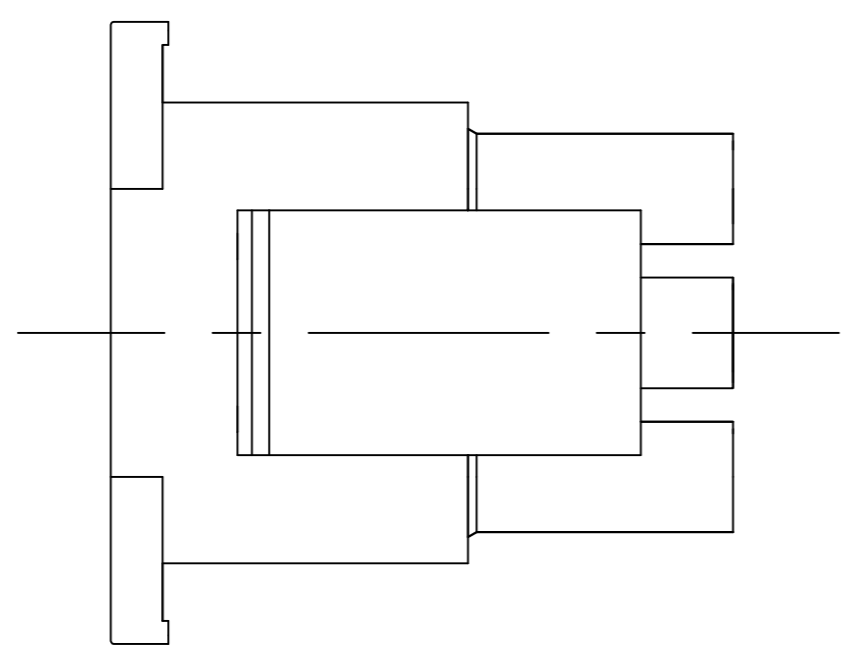
SEE DETAIL A



- MATES WITH APPROPRIATE UNIVERSAL MATE-N-LOK™ CAP OR HEADER.
 - SMALL NICKS ARE PERMITTED ON THE CIRCUIT TOWERS WHICH COULD INCREASE THE INITIAL HOUSING MATING FORCE BY UP TO 4.4 NEWTONS [1.0 LBS]. NO INDIVIDUAL NICKED TOWER SHALL INCREASE THIS FORCE BY OVER 2.2 NEWTONS [.5 LBS].
 - DIMENSIONS SHOWN REPRESENT PRODUCT IN DRY, AS MOLDED, CONDITION. ADDITIONAL 2% GROWTH DUE TO SUBSEQUENT MOISTURE ABSORPTION MAY OCCUR AND SHOULD BE ACCOUNTED FOR.
- 4 FOUR RIBS EQUALLY SPACED, NO SPECIFIC ORIENTATION. NO RIBS OR SIX RIBS EQUALLY SPACED, NO SPECIFIC ORIENTATION, OPTIONAL.
- 5 UNDERWRITERS RECOGNIZED COMPONENT LOGO AND CSA CERTIFICATION LOGO TO BE LOCATED ONCE EACH ON SIDE OF HOUSING.



3-DIMENSIONAL MODEL
NTS



DETAIL A
OPTIONAL CONSTRUCTIONS

| | |
|-------|-------------|
| BLACK | 1586379-1 |
| COLOR | PART NUMBER |

| | | | | | | |
|---|--|-----------------------------------|--------|--|--------------|------------|
| THIS DRAWING IS A CONTROLLED DOCUMENT. | | DWN S. HOOVER 05-MAR-2004 | | TE Connectivity | | |
| DIMENSIONS: mm [INCHES] | | CHK S. RIDGILL 05-MAR-2004 | | NAME | | |
| | | APVD S. RIDGILL 05-MAR-2004 | | PLUG, 6 CIRCUIT, UV RESISTANT, UNIVERSAL MATE-N-LOK™ | | |
| TOLERANCES UNLESS OTHERWISE SPECIFIED: 0 PLC ± 1 PLC ± 2 PLC ± 0.13 [.005] 3 PLC ± 4 PLC ± ANGLES ± | | PRODUCT SPEC | | SIZE | CAGE CODE | DRAWING NO |
| MATERIAL NYLON, UL 94V-2 | | FINISH | WEIGHT | A2 | 00779 | |
| CUSTOMER DRAWING | | | SCALE | 4:1 | SHEET 1 OF 1 | |
| | | | REV | A | | |