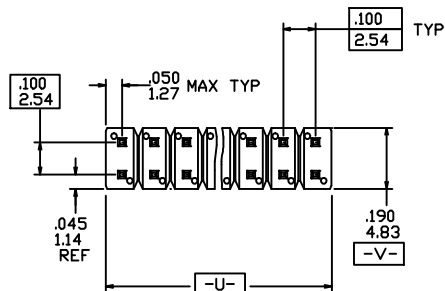


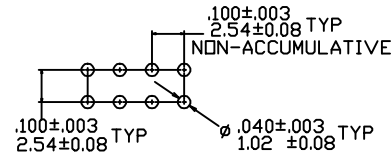
Product Number

XXXX-YYYYLF

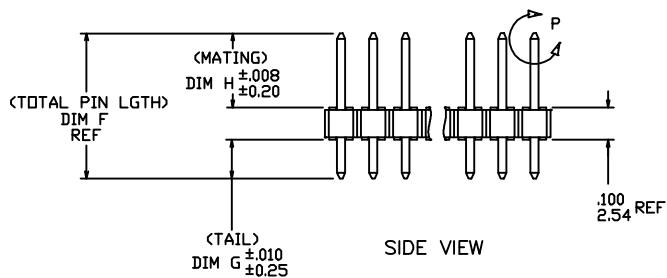
- LEAD FREE OPTION
NOTE 11 & 12
- TUBE PACKAGING OPTION
SEE NOTE 8 & 9
- NO. OF POSITIONS
SEE NOTE 4
- PLATING NUMBER
SEE SHEET 2
- BASE PART NO.



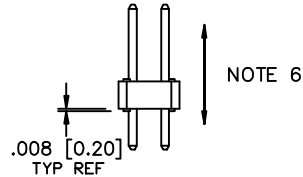
TOP VIEW



RECOMMENDED HOLE PATTERN

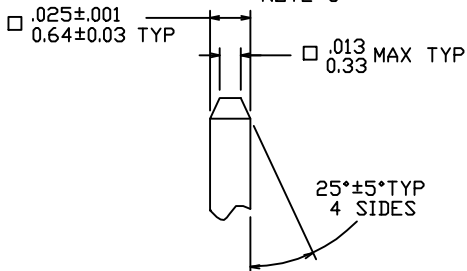


SIDE VIEW



END VIEW

⊕ ⌀ .020/0.51 (M) U (M) V (S)
NOTE 5



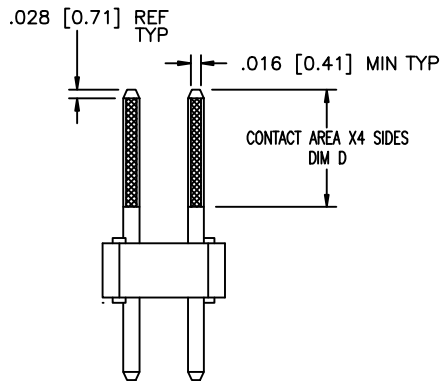
DETAIL P
TYP BOTH ENDS

mat'l. code				surface ISO 902	tolerance ISO 406 ISO 7001	projection ISO 1001	product family BERGSTIK
ltr	ecn no	dr	date	tolerances unless otherwise specified		INCH/MM	title
A	v03-0962	DAI	8/28/03	angles	XXX.01/XXX.03		BERGSTIK® II HDR. DUPLEX SPECIAL
B	M05-0118	ERE	6/02/05	linear	XXX±.006/XXX±0.13	scale 2:1	.100/2.54cc DR STRAIGHT
C	M06-0271	AGS	7/14/06	0'±2'	XXX±.0020/XXX±0.051		dwg no
D	M06-0346	MHT	9/04/06	dr	D. INGRAM	8/28/03	sheet 1 of 3 size
E	M08-0279	MHT	9/30/08	engr	H. SUNDY	8/28/03	10007367
				chr	H. SUNDY	8/28/03	A3
				appd	H. SUNDY	8/28/03	type
sheet	revision	E	E	E			Product Customer Drawing
index	sheet	1	2	3			

PLATING NUMBER	Contact Area "Dim D" (NOTE 3)
XXXXX-1YY	30u"/0.76u Au OVER 50u"/1.27u Ni
XXXXX-2YY	15u"/0.38u Au OVER 50u"/1.27u Ni

NOTES

- ① .BODY MATERIAL: GLASS FIBER REINFORCED PCT FLAME RETARDENT PER UL-94V-O. COLOR: BLACK.
OR
MINERAL FILLED LCP FLAME RETARDENT PER UL-94V-O. COLOR: BLACK.
- ② PIN MATERIAL: PHOS-BRONZE.
- ③ FINISH:
CONTACT AREA: SEE TABLE
SOLDER TAIL: 100u"/2.54u TIN OVER 50u"/1.27u Ni
LEAD FREE OPTION:
SOLDER TAIL: 100u"/2.54u TIN OVER 50u"/1.27u Ni
- ④ ANY NUMBER OF POSITIONS FROM 2 (2X1) THRU 72 (2X36).
- ⑤ MEASURED WITH PART IN RESTRAINED CONDITION.
- ⑥ 2LBS/0.9KG MIN PIN RETENTION IN EITHER DIRECTION.
7. PACKAGED IN POLY BAGS.
- ⑧ EIGHT DIGIT PART NUMBERS FOLLOWED BY A "T" ARE PACKAGED IN TUBES WITHOUT PICK-UP CAPS, SEE SPECIFIC PART NUMBERS FOR AVAILABILITY.
- ⑨ EIGHT DIGIT PART NUMBERS FOLLOWED BY A "P" ARE PACKAGED IN TUBES WITH PICK-UP CAPS APPLIED.
10. VACUUM CAP MATERIAL: LCP, COLOR BLACK
VACUUM CAP TO BE CENTERALLY LOCATED ON ASSEMBLY REGARDLESS OF PART SIZE WHEN REQUIRED.
- ⑩ . ADD "LF" SUFFIX AT THE END OF PART NUMBER FOR LEAD FREE OPTION.
- ⑪ . THIS PRODUCT MEETS EUROPEAN UNION DIRECTIVES AND OTHER COUNTRY REGULATION AS DESCRIBED IN GS-22-008.
13. THE HOUSING WILL WITHSTAND EXPOSURE TO 260°C PEAK TEMPERATURE FOR 20 SECONDS IN A CONVECTION, INFRA-RED OR VAPOR PHASE REFLOW OVEN. OR FOR FOR 15 SECONDS IN A WAVE SOLDER APPLICATION WITH A 1.5mm MINIMUM THICK CIRCUIT BOARD. SEE APPLICATION NOTES/PROCEDURES IF THEY ARE AVAILABLE.



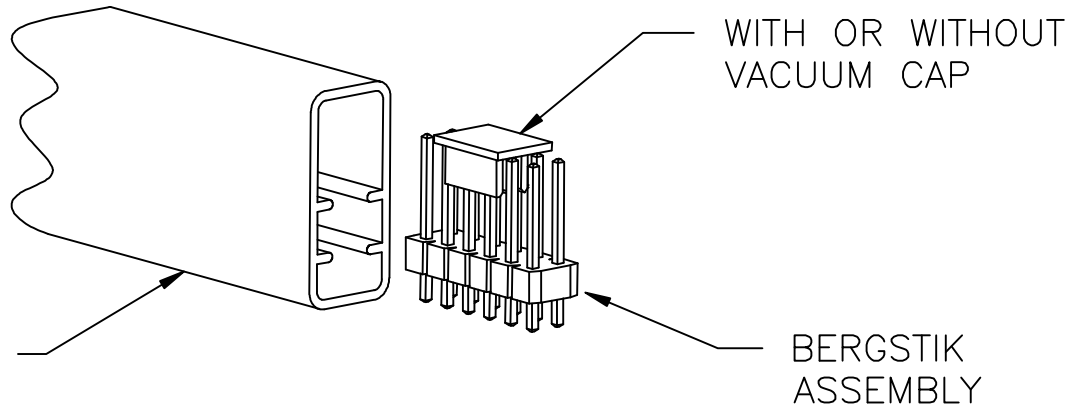
END VIEW

mat'l. code		surface ISO 902		tolerance ISO 406 ISO 7001		projection INCH/MM		product family BERGSTIK	
ltr	ecn no	dr	date	tolerances unless otherwise specified					
E				angles	linear	XXXL01/XXL03	INCH/MM	title BERGSTIK® II HDR. DUPLEX SPECIAL .100/2.54cc DR STRAIGHT	
				0'±2'		XXXL06/XXH013	scale 2:1	dwg no 10007367	
				dr	D. INGRAM	8/28/03	sheet 2 of 3 size A3		
				engr	H. SUNDY	8/28/03	type Product Customer Drawing		
				chr	H. SUNDY	8/28/03			
				appd	H. SUNDY	8/28/03			
sheet	revision								
index	sheet								



Copyright FCI

PRODUCT NO.	TOTAL PIN LENGTH		TAIL LENGTH		MATING LENGTH		CONTACT AREA		PACKAGING
	DIM F	DIM F	DIM G	DIM G	DIM H	DIM H	DIM D	DIM D	
	ENGLISH	METRIC	ENGLISH	METRIC	ENGLISH	METRIC	ENGLISH	METRIC	
10007367-XYX	0.525	13.34	0.100	2.54	0.325	8.26	0.273	6.93	NOTE 7, 8, 9
10007367-XYLF	0.525	13.34	0.100	2.54	0.325	8.26	0.273	6.93	NOTE 7, 8, 9



PACKAGING TUBE

WITH OR WITHOUT
VACUUM CAP

BERGSTIK
ASSEMBLY

FOR TUBE PACKAGING SEE NOTE 8 OR 9

mat'l. code				surface ISO 1302		tolerance ISO 406 ISO 7001		projection 		product family BERGSTIK	
ltr	ecn no	dr	date	tolerances unless otherwise specified							
E				angles	linear	XX±.01/XX±0.3		INCH/MM		title BERGSTIK® II HDR. DUPLEX SPECIAL .100/2.54cc DR STRAIGHT	
				0°±2'		XXX±.005/XXX±0.13		scale 2:1		dwg no 10007367	
				dr	D. INGRAM	8/28/03				sheet 3 of 3 size A3	
				engr	H. SUNDY	8/28/03				type Product Customer Drawing	
				chr	H. SUNDY	8/28/03					
				appd	H. SUNDY	8/28/03					
sheet	revision										
index	sheet										



Copyright FCJ