

LAYOUT SHOWN AS EXAMPLE

Keying Shown as example

CHARACTERISTICS

- Standard : Based on MIL-DTL-38999 Series III
- Shell Material : Composite
- Shell Plating : Nickel
- Insulator : Thermoplastic
- Contacts : Copper Alloy
- Seals & Grommet : Silicon Elastomer
- Contact Plating : Gold over copper Alloy 0.8µm minimum
- Durability : 500 Mating cycles
- Delivered without Souriau contacts
- Temperature Range : -65°C to +200°C
- Salt Spray : 2000 hours
- Mass : 7.9 g ± 10%

| Connector dimension | |
|---------------------|-------------|
| Dim | Nominal |
| P | 3.25±0.2 |
| PP | 5.49±0.2 |
| R1 | 18.26 |
| R2 | 15.09 |
| S | 23.8±0.3 |
| V' | 19.5+1.4/-0 |
| W' | 2.1/3.65 |
| Z' | 32 Max |
| VV THREAD | M12x1-6g |

SOURIAU shall not be liable for any non-conformity or damage due to a use of the Products which does not comply with the Specifications issued by either of the Parties or by a third party (professional recommendation, technical notice.)

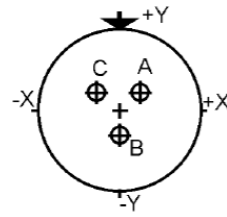
| | |
|---------|-----------------------------|
| Country | Jurisdiction & Control List |
| FR | Not Listed |

PN: 8D009M98SNL

| | | | |
|---|------------|--------------------------------|--|
| A | 03-10-2016 | First Release | |
| ISS | DATE | Latest modification - by | MOD N° |
| Designed By: | | Date: | CUSTOMER DRAWING |
| TITLE | | Composite Receptacle 8D series | |
| SCALE | NA | General linear Tolerances: ±-- | NPRDS / PROJECT 859 |
| SOURIAU | | WWW.SOURIAU.COM | |
| This document is the property of SOURIAU it must not be reproduced or communicated without permission | | | |
| FORMAT | A3 | | SOURIAU DRG N° 8D009M98SNL-C |
| | | | SHEET 1/2 |

| | | | | | | | | | | |
|----------------|--------------------------|---|---|----|---|----|---|---|---|------------------------------------|
| BASIC SERIES: | 8D | 0 | - | 09 | M | 98 | S | N | L | Delivered W/O Contacts |
| SHELL TYPE : | Square Flange Receptacle | | | | | | | | | ORIENTATION : N |
| CONTACT TYPE : | Standard Crimp Contact | | | | | | | | | CONTACT TYPE : SOCKET(500 Matings) |
| SHELL SIZE : | 09 | | | | | | | | | CONTACT LAYOUT : 09-98 |
| PLATING : | M = Nickel | | | | | | | | | |

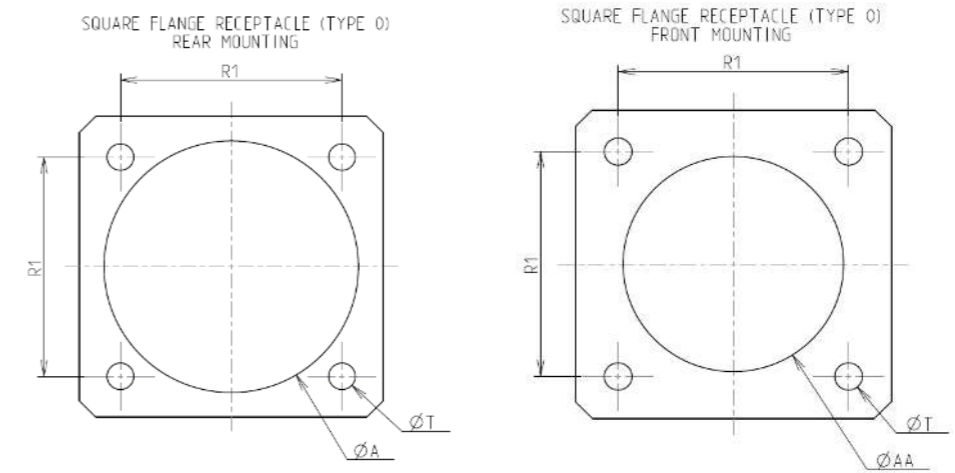
Contact Layout



| Contacts (insert arrangement 9-98) | | |
|---------------------------------------|------------------|-------------|
| Contact position ID | Contact location | |
| | X-axis (mm) | Y-axis (mm) |
| A | +065 (1.65) | +038 (0.97) |
| B | +000 (0.00) | -075 (1.91) |
| C | -065 (1.65) | +038 (0.97) |

| Shell size | Arrangement no. | Number of contacts | Size contacts | Service rating | Contact location | Supersedes |
|------------|-----------------|--------------------|---------------|----------------|------------------|------------|
| 9 | -98 | 3 | 20 | I | All | MS20049-98 |

Panel Cutout



| Dim | Nominal |
|-----|------------|
| ØA | 16.66 min |
| ØAA | 13.11 min |
| R1 | 18.26 |
| ØT | 3.25 ±0.13 |

SOURIAU shall not be liable for any non-conformity or damage due to a use of the Products which does not comply with the Specifications issued by either of the Parties or by a third party (professional recommendation, technical notice.)

| Country | Jurisdiction & Control List |
|---------|-----------------------------|
| FR | Not Listed |

PN: 8D009M98SNL

| | | | |
|----------------|---------------------------------------|----------------------------|---|
| A | 03-10-2016 | First Release | |
| ISS | DATE | Latest modification - by | MOD N° |
| Designed By: | | Date: | CUSTOMER DRAWING |
| TITLE | Composite Receptacle 8D series | | |
| SCALE | | General linear Tolerances: | NPRDS / PROJECT |
| NA | | ±-- | 859 |
| SOURIAU | WWW.SOURIAU.COM | | This document is the property of SOURIAU it must not be reproduced or communicated without permission |
| FORMAT | SOURIAU DRG N° 8D009M98SNL-C | | SHEET 2/2 |